

The **DEETER** Group®

ULM-200C Ultrasonic Level Meter



Product Description

ULM-200C is an ultrasonic non-contacting level meter combining sensor and transmitter in one housing.

The measurement range is 8 meters and it is a two-wire loop-powered product. The sensor material is PVDF so it can be applied in various industry applications.

Its simple maintenance is one of the benefits of the ULM-200C and the accurate level and reliable performance enable you to effectively monitor levels and ensure that your facilities are running safely and consistently.

Features

- Compact Design
- Aluminium alloy for die cast housing
- Built in temperature sensor for temperature compensation
- Two wire loop-powered
- Simple Installation & Maintenance

Deeter House
Valley Road
Hughenden Valley
Bucks HP14 4LW

Tel: +44 (0)1494 566 046
Fax: +44 (0)1494 563 961
Email: sales@deeter.co.uk



www.deeter.co.uk

The **DEETER** Group®

ULM-200C Ultrasonic Level Meter

Specification

Dimension	117(D)×209(H) mm
Process Connection	2 1/2" NPT
Housing Material	Aluminum alloy for diecastings
Sensor Material	Polypropylene
Weight	Nominal 2.8Kg
IP Rating	IP67
Operating Temperature	-20°C – 70°C (-4°F – 158°F)
Measuring Range	0.3 ~ 8 m (0.98 ~ 26.2ft)
Accuracy	0.2% of F.S
Display Resolution	1mm
Beam Angle	8° at -3dB
Damping Rate	Adjustable 0.1m/min to 100m/min
Temperature Compensation	Built-in temperature sensor
Analog Output	4~20mA, 550Ω at DC24V
Display	5 Digit Numeric LCD
Power Supply	DC20~30V
Supply Current	Less than 0.022A
Certification	CE
Warranty	3 years

* The specification is subject to change without notice.

Deeter House
Valley Road
Hughenden Valley
Bucks HP14 4LW

Tel: +44 (0)1494 566 046
Fax: +44 (0)1494 563 961
Email: sales@deeter.co.uk

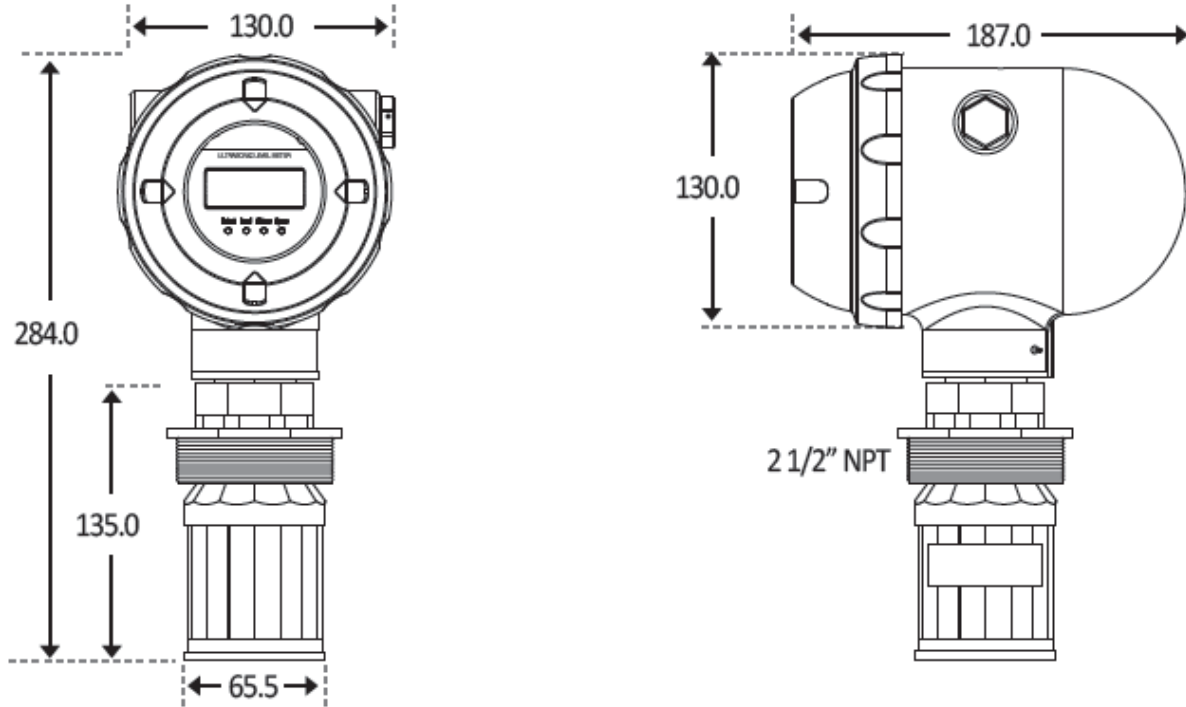


www.deeter.co.uk

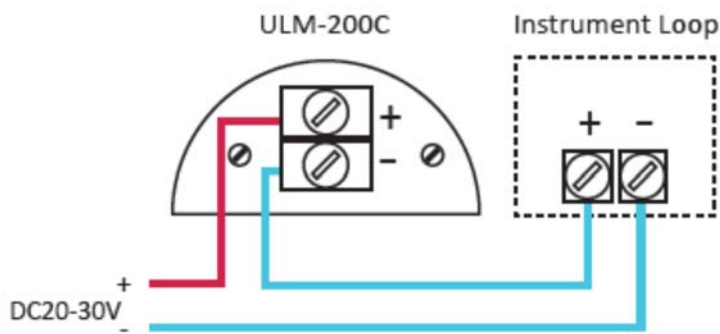
The DEETER Group[®]

ULM-200C Ultrasonic Level Meter

Dimensions



Wiring



Deeter House
Valley Road
Hughenden Valley
Bucks HP14 4LW

Tel: +44 (0)1494 566 046
Fax: +44 (0)1494 563 961
Email: sales@deeter.co.uk



www.deeter.co.uk

The DEETER Group®

ULM-200C Ultrasonic Level Meter

Ordering Code

ULM-200C Ordering Code	
Range	
1	8 meters
Power Supply	
B	DC 20 to 30V
Communication	
N	none
Accessory-Flange	
N	none
1	80A
2	100A
3	150A
4	200A
T*	Tailor-made
Flange standard	
D	DIN
A	ANSI
J	JIS
Pipe extension	
N	none
T*	Tailor-made

ULM20C-

T* Specify the exact size.

All electrical equipment should be installed by a qualified/certified electrician.

The Deeter Group follows a policy of continual development of its products and reserves the right to change specifications and/or features without notice

Deeter House
Valley Road
Hughenden Valley
Bucks HP14 4LW

Tel: +44 (0)1494 566 046
Fax: +44 (0)1494 563 961
Email: sales@deeter.co.uk



www.deeter.co.uk