

# The **DEETER** Group®

## ULM-1000C Ultrasonic Level Meter



### Product Description

ULM-1000C is an ultrasonic non-contacting level meter with sensor and transmitter in one housing. The measurement range is 6 meters.

It is a two wire loop-powered product. ULM-1000C provides a user friendly design for convenient operation and installation. Simple maintenance ensures low maintenance costs. This enables you to effectively monitor levels and keep your facilities running safely and reliably.

### Features

- Compact Size
- User Friendly Menu
- 5 key buttons for operation
- Built in temperature compensation sensor
- Two wire loop-powered

Deeter House  
Valley Road  
Hughenden Valley  
Bucks HP14 4LW

Tel: +44 (0)1494 566 046  
Fax: +44 (0)1494 563 961  
Email: sales@deeter.co.uk



www.deeter.co.uk

# The **DEETER** Group®

## ULM-1000C Ultrasonic Level Meter

### Specifications

Dimension Overall	117(D)×209(H) mm
Process Connection	2" PF
Weight Nominal	1.5Kg
Sensor Material	Polypropylene
IP Rating	IP67
Operating Temperature	-20°C - 70°C (-4°F - 158°F)
Measuring Range	0.3 ~ 6 m (0.98 ~ 19.6ft)
Accuracy	0.2% of F.S
Display Resolution	1 mm
Beam Angle	8° at -3dB
Damping Rate	Adjustable 0.1m/min to 100m/min
Temperature Compensation	Built-in temperature sensor
Analog Output	4~20mA, 550Ω at DC24V
Display	5 Digit Numeric LCD
Power Supply	DC20~30V
Supply Current	Less than 0.022A
Certification	CE
Warranty	3 years

\* The specification is subject to change without notice.

Deeter House  
Valley Road  
Hughenden Valley  
Bucks HP14 4LW

Tel: +44 (0)1494 566 046  
Fax: +44 (0)1494 563 961  
Email: sales@deeter.co.uk

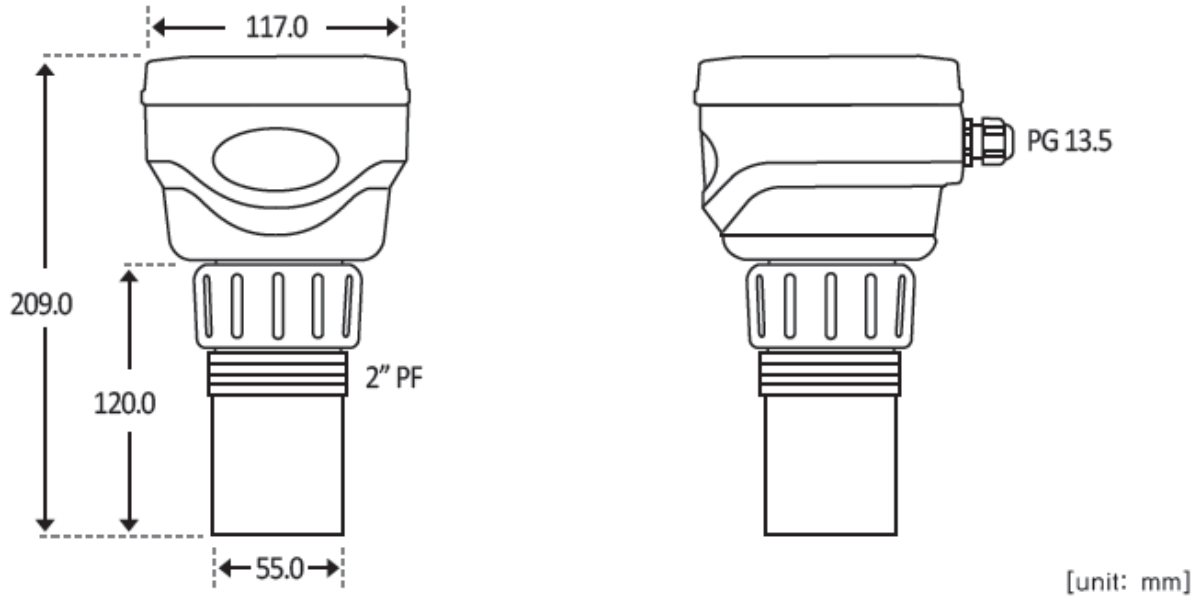


www.deeter.co.uk

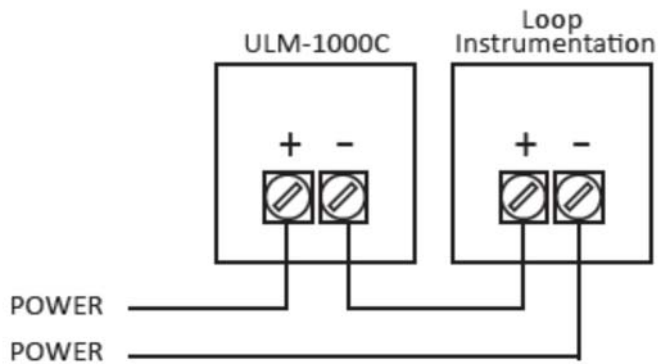
# The DEETER Group<sup>®</sup>

## ULM-1000C Ultrasonic Level Meter

### Dimensions



### Wiring



Deeter House  
Valley Road  
Hughenden Valley  
Bucks HP14 4LW

Tel: +44 (0)1494 566 046  
Fax: +44 (0)1494 563 961  
Email: sales@deeter.co.uk



www.deeter.co.uk

# The DEETER Group®

## ULM-1000C Ultrasonic Level Meter

### Ordering Code

ULM-1000C Ordering Code	
<b>Range</b>	
1	6 meters
<b>Power Supply</b>	
B	DC 20 to 30V
<b>Communication</b>	
N	none
<b>Accessory-Flange</b>	
N	none
1	80A
2	100A
3	150A
4	200A
T*	Tailor-made
<b>Flange standard</b>	
D	DIN
A	ANSI
J	JIS
<b>Pipe extension</b>	
N	none
T*	Tailor-made

**ULM10C-**

T\* Specify the exact size.

**All electrical equipment should be installed by a qualified/certified electrician.**

The Deeter Group follows a policy of continual development of its products and reserves the right to change specifications and/or features without notice

Deeter House  
Valley Road  
Hughenden Valley  
Bucks HP14 4LW

Tel: +44 (0)1494 566 046  
Fax: +44 (0)1494 563 961  
Email: sales@deeter.co.uk



www.deeter.co.uk