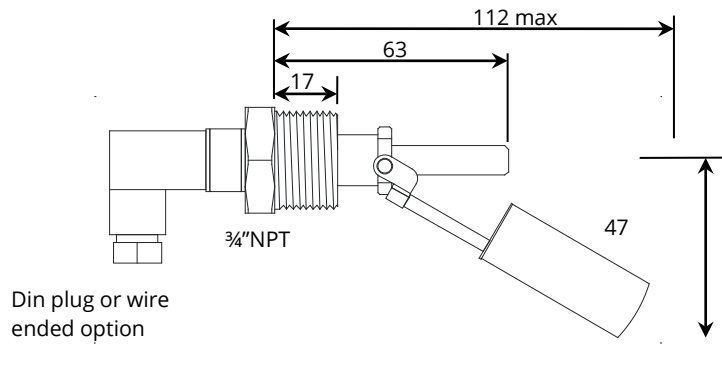
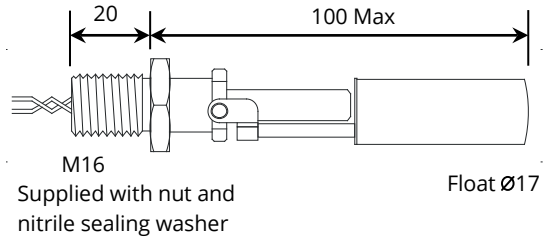


# The DEETER Group®

## 80 Series Horizontal Stainless Steel Liquid Level Sensor



The 80 Series is a small horizontally mounted liquid level sensor designed for high temperature/high pressure operation and sensing chemically aggressive liquids. The design provides a highly cost effective solution where high reliability in a demanding environment is called for.

### Technical Data

<b>Minimum Liquid Specific Gravity</b>	0.9
<b>Maximum pressure</b>	350psi 24bar
<b>Operating Temperature</b>	Wire ended -20°C to +200°C Din plug -20°C to +125°C
<b>Switch contacts</b>	Form A: 250Vac/dc, 1Amp, 50Watts max power Form C: 60Vdc, 0.25Amp, 4Watts max power
<b>Cable length*</b>	1 metre
<b>Cable type</b>	PTFE insulated 7/0.2
<b>Weight</b>	80g
<b>Mounting</b>	M16 internal mount 3/4" NPT external mount
<b>Wetted Materials</b>	316L Stainless Steel

\*For custom length contact the sales office for advice

Deeter House  
Valley Road  
Hughenden Valley  
Bucks HP14 4LW

Tel: +44 (0)1494 566 046  
Fax: +44 (0)1494 563 961  
Email: sales@deeter.co.uk



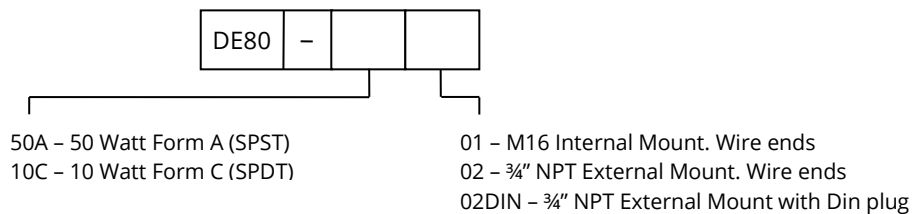
www.deeter.co.uk

# The DEETER Group®

## 80 Series Horizontal Stainless Steel Liquid Level Sensor

**Switch Contact Ratings:** are for pure resistive load. For other loads ie capacitive, inductive or incandescent lamps please contact Deeter for advice. This device must be earthed when used with hazardous voltages. For AC circuits ensure the peak voltage x current does not exceed the power rating.

### Ordering Code



Caution: NPT threads are specified in their reference size.  
This size does not refer to the physical thread diameter

**All electrical equipment should be installed by a qualified/certified electrician.**

The Deeter Group follows a policy of continual development of its products and reserves the right to change specifications and/or features without notice.

Deeter House  
Valley Road  
Hughenden Valley  
Bucks HP14 4LW

Tel: +44 (0)1494 566 046  
Fax: +44 (0)1494 563 961  
Email: sales@deeter.co.uk



www.deeter.co.uk