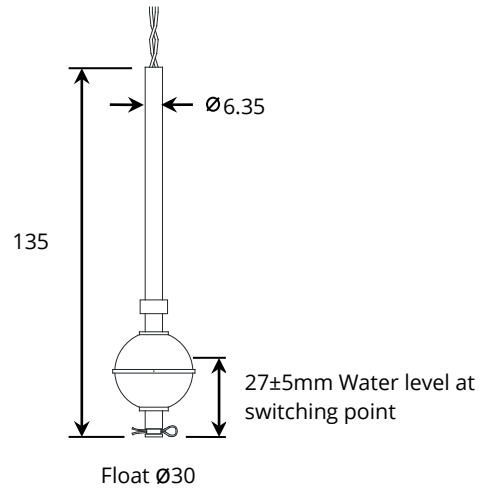


The DEETER Group®

60 Series Vertical Stainless Steel Liquid Level Sensor



The 60 series is a small, vertically mounted liquid level sensor designed for high temperature/high pressure operations and sensing chemically aggressive liquids. The design provides a cost effective solution where high reliability in a demanding environment is called for. It is ideal for applications in food, automotive, pharmaceutical and chemical industries. As shipped, the float switch is Normally Open and closes on rising to the switching point. This can be changed to Normally Closed and open on rising by inverting the float on the stem.

Technical Data

Minimum liquid Specific Gravity	0.75
Switch rating	Form A: 240Vac, 1Amp, 50Watts max Form C: 60Vdc, 0.25Amp, 4Watts max
Maximum Pressure	32 bar. Not including cable seal
Operating Temperature	-20°C to +200°C
Cable length	1 Metre*
Cable Type	PTFE insulated 7/0.2mm
Weight	30g
Mounting	Not supplied**
Wetted Materials	316L Stainless steel

* Other lengths available

**For mounting options contact the sales office for advice

Deeter House
Valley Road
Hughenden Valley
Bucks HP14 4LW

Tel: +44 (0)1494 566 046
Fax: +44 (0)1494 563 961
Email: sales@deeter.co.uk



www.deeter.co.uk

The **DEETER** Group®

60 Series Vertical Stainless Steel Liquid Level Sensor

Switch Contact Ratings: are for pure resistive load. For other loads ie capacitive, inductive or incandescent lamps please contact Deeter for advice. This device must be earthed when used with hazardous voltages. For AC circuits ensure the peak voltage x current does not exceed the power rating.

Ordering Code

DE60	
------	--

A-50 – Form A (SPST), 50 Watt, 250V AC/DC
C-10 – Form C (SPDT), 10 Watt, 60V DC

Example: DE60A-50 = 60 Series, Material Stainless Steel, Form A SPST, 50 Watt float switch.

All electrical equipment should be installed by a qualified/certified electrician.

The Deeter Group follows a policy of continual development of its products and reserves the right to change specifications and/or features without notice.

Deeter House
Valley Road
Hughenden Valley
Bucks HP14 4LW

Tel: +44 (0)1494 566 046
Fax: +44 (0)1494 563 961
Email: sales@deeter.co.uk



www.deeter.co.uk