

FORM Identifier: F 1 Revision: 00 Page: 1/1	Product specification	MAGNETEC China 6/F, B. 2, Chebei Road Guangzhou 510660 China
---	------------------------------	---

Client:		Magnetec P/N:	MB-3014	Magnetec A/N:	
Client's P/N:	/	PS Index:	01	PS Revision:	01
Subject:	EMC choke			Type:	

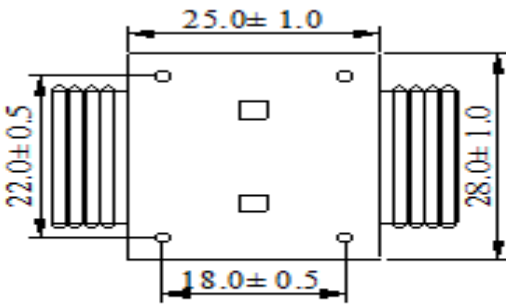
1. Mechanical Outline

Nominal core dimensions:
32 x 20 x 10

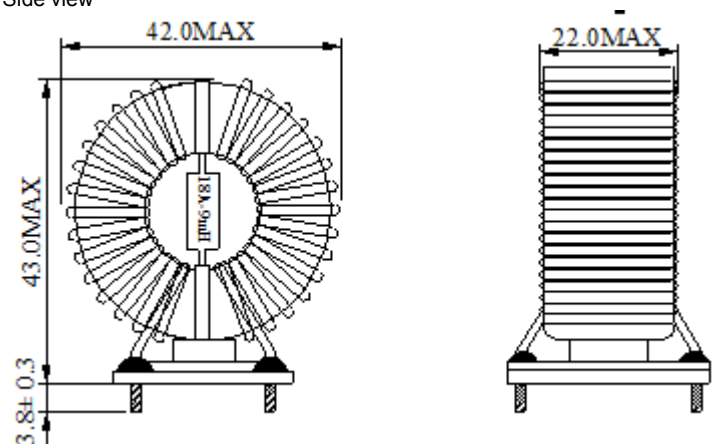
Finished product dimensions:
 (W x D x H)
 42 x 28 x 46.8

[dimensions] = mm

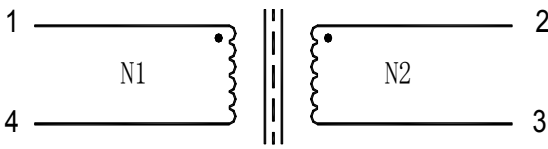
Pin view



Side view



Connection



FORM Identifier: F 1 Revision: 00 Page: 1/1	Product specification	MAGNETEC China 6/F,B. 2, ,Chebei Road Guangzhou 510660 China
---	------------------------------	---

2. Core data	
2. Core type:	Cased core
3. Core material:	Nanocrystalline
4. Nominal values:	250 Veff, 18 A, 2 x 9 mH, Turns=18±1, copper wire diameter :1.60mm
5. Inspection values:	L1,L2 = mH at 10kHz, Ieff 1 mA, L1,L2 ≥16mH at 1KHz,0.3V L1,L2 ≥2.6mH at 100KHz,0.3V L1,L2 ≥1.3mH at 200KHz,0.3V Rcu1, Rcu2 <13 mOhm at 20°C Hightension test Up eff = 2.5 kV, 5 sec
7. Marking:	"MB-3014-01"
8. Packing:	To be defined

3. Comments:	

Index / Revision	Alteration	Date
01 / 01	Product specification	08/26/11

Created:	Feng.xiaomao	Approved (Technical):	W. Senftinger	Approved (Quality):	Liu Jiao	Released:	Liu Jiao
	08/26/11		08/26/11		08/26/11		08/26/11