

# TC2682/TC2683/TC2684

## Inverting Charge Pump Voltage Doublers

### Features

- Small 8-Pin MSOP Package
- Operates from 1.8V to 5.5V
- 120 Ohms (typ) Output Resistance
- 99% Voltage Conversion Efficiency
- Only 3 External Capacitors Required
- Power-Saving Shutdown Mode
- Low Active Supply Current
  - 95µA (typ) for TC2682
  - 225µA (typ) for TC2683
  - 700µA (typ) for TC2684

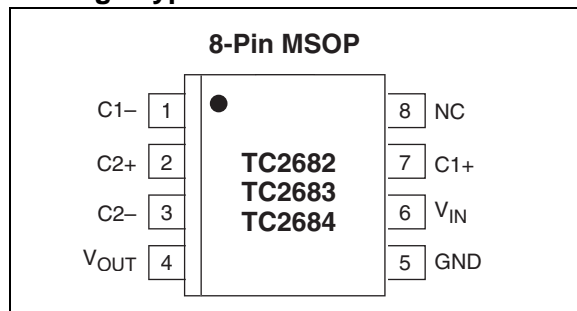
### Applications

- LCD Panel Bias
- Cellular Phones PA Bias
- Pagers
- PDAs, Portable Data Loggers
- Battery-Powered Devices

### Device Selection Table

| Part Number | Package    | Osc. Freq. (kHz) | Operating Temp. Range |
|-------------|------------|------------------|-----------------------|
| TC2682EUA   | 8-Pin MSOP | 12               | -40°C to +85°C        |
| TC2683EUA   | 8-Pin MSOP | 35               | -40°C to +85°C        |
| TC2684EUA   | 8-Pin MSOP | 125              | -40°C to +85°C        |

### Package Type



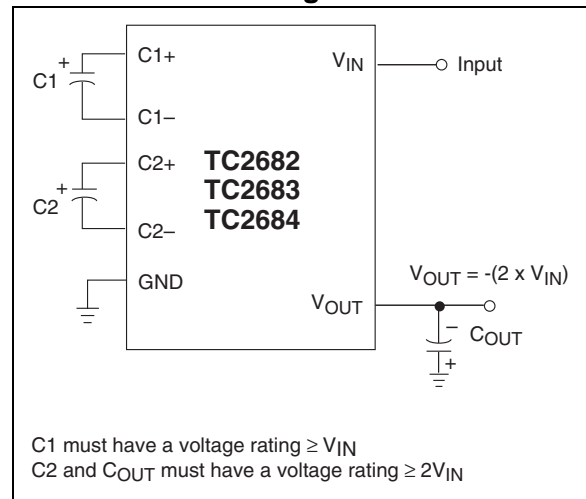
### General Description

The TC2682/TC2683/TC2684 are CMOS charge pump converters that provide an inverted doubled output from a single positive supply. An on-board oscillator provides the clock and only three external capacitors are required for full circuit implementation. Switching frequencies are 12kHz for the TC2682, 35kHz for the TC2683, and 125kHz for the TC2684.

Low output source impedance (typically 120Ω), provides output current up to 10mA. The TC2682/TC2683/TC2684 feature a 1.8V to 5.5V operating voltage range and high efficiency, which make them an ideal choice for a wide variety of applications requiring a negative doubled voltage derived from a single positive supply (for example: generation of -7.2V from a +3.6V lithium cell or -10V generated from a +5V logic supply).

The minimum external part count and small physical size make this family of products useful for a wide variety of negative bias power supply applications.

### Functional Block Diagram



# TC2682/TC2683/TC2684

## 1.0 ELECTRICAL CHARACTERISTICS

### Absolute Maximum Ratings\*

Input Voltage ( $V_{IN}$  to GND)..... +6.0V, -0.3V  
 Output Voltage ( $V_{OUT}$  to GND)..... -12.0V, +0.3V  
 Current at  $V_{OUT}$  Pin.....20mA  
 Short-Circuit Duration  $V_{OUT}$  to GND .....Indefinite  
 Power Dissipation ( $T_A \leq 70^\circ\text{C}$ )  
     8-Pin MSOP .....320mW  
 Operating Temperature Range.....-40°C to +85°C  
 Storage Temperature (Unbiased) .....-65°C to +150°C

\*Stresses above those listed under "Absolute Maximum Ratings" may cause permanent damage to the device. These are stress ratings only and functional operation of the device at these or any other conditions above those indicated in the operation sections of the specifications is not implied. Exposure to Absolute Maximum Rating conditions for extended periods may affect device reliability.

### TC2682/TC2683/TC2684 ELECTRICAL SPECIFICATIONS

| Electrical Characteristics: $T_A = -40^\circ\text{C}$ to $+85^\circ\text{C}$ , $V_{IN} = +5\text{V}$ , $C1 = C2 = 3.3\mu\text{F}$ (TC2682), $C1 = C2 = 1\mu\text{F}$ (TC2683), $C1 = C2 = 0.33\mu\text{F}$ (TC2684) SHDN = GND, Typical values are at $T_A = +25^\circ\text{C}$ |                               |      |     |      |               |        |   |
|---|-------------------------------|------|-----|------|---------------|--------|---|
| Symbol  | Parameter                     | Min  | Typ | Max  | Units         | Device | Test Conditions                                     |
| $I_{DD}$  | Supply Current                | —    | 95  | 160  | $\mu\text{A}$ | TC2682 |   |
|   |                               | —    | 225 | 480  |               | TC2683 |   |
|   |                               | —    | 700 | 1500 |               | TC2684 |   |
| $V_{MIN}$   | Minimum Supply Voltage        | 1.8  | —   | —    | V             | All    | $R_{LOAD} = 1\text{k}\Omega$                        |
| $V_{MAX}$   | Maximum Supply Voltage        | —    | —   | 5.5  | V             | All    | $R_{LOAD} = 1\text{k}\Omega$                        |
| $F_{OSC}$   | Oscillator Frequency          | 8.4  | 12  | 15.6 | kHz           | TC2682 |   |
|   |                               | 24.5 | 35  | 45.5 |               | TC2683 |   |
|   |                               | 65   | 125 | 170  |               | TC2684 |   |
| $V_{EFF}$   | Voltage Conversion Efficiency | 95   | 99  | —    | %             | All    | $R_{LOAD} = \infty$                                 |
| $R_{OUT}$   | Output Resistance             | —    | 120 | 170  | $\Omega$      | All    | $I_{LOAD} = 0.5\text{mA}$ to $10\text{mA}$ (Note 1) |

**Note 1:** Capacitor contribution is approximately 20% of the output impedance ( $ESR = 1/\text{pump frequency} \times \text{capacitance}$ ).

## 2.0 PIN DESCRIPTIONS

The descriptions of the pins are listed in Table 2-1.

**TABLE 2-1: PIN FUNCTION TABLE**

| Pin No.<br>(8-Pin MSOP) | Symbol           | Description   |
|-------------------------|------------------|---|
| 1                       | C1-              | C1 commutation capacitor negative terminal.                   |
| 2                       | C2+              | C2 commutation capacitor positive terminal.                   |
| 3                       | C2-              | C2 commutation capacitor negative terminal.                   |
| 4                       | V <sub>OUT</sub> | Doubling inverting charge pump output ( $-2 \times V_{IN}$ ). |
| 5                       | GND              | Ground.   |
| 6                       | V <sub>IN</sub>  | Positive power supply input.                                  |
| 7                       | C1+              | C1 commutation capacitor positive terminal.                   |
| 8                       | NC               | No connection.  |

# TC2682/TC2683/TC2684

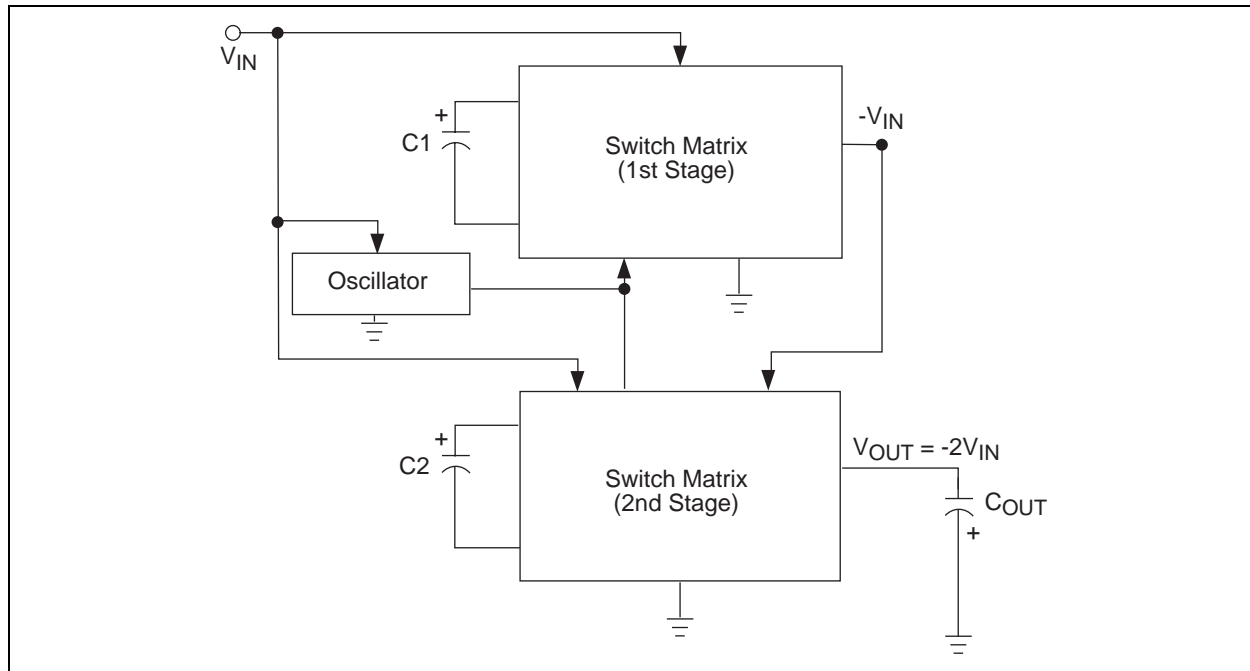
## 3.0 DETAILED DESCRIPTION

The TC2682/TC2683/TC2684 inverting charge pumps perform a  $-2x$  multiplication of the voltage applied to the  $V_{IN}$  pin. Conversion is performed using two *synchronous* switching matrices and three external capacitors.

Figure 3-1 is a block diagram representation of the TC2682/TC2683/TC2684 architecture. The first switching stage inverts the voltage present at  $V_{IN}$  and the second stage uses the  $-V_{IN}$  output generated from the first stage to produce the  $-2X$  output function from the second stage switching matrix.

Each device contains an on-board oscillator that synchronously controls the operation of the charge pump switching matrices. The TC2682 synchronously switches at 12kHz, the TC2683 synchronously switches at 35kHz, and the TC2684 synchronously switches at 125kHz. The different oscillator frequencies for this device family allow the user to trade-off capacitor size versus supply current. Faster oscillators can use smaller external capacitors, but will consume more supply current (see Section 1.0 Electrical Characteristics).

**FIGURE 3-1: TC2682/TC2683/TC2684 ARCHITECTURE**



## 4.0 APPLICATIONS INFORMATION

### 4.1 Output Voltage Considerations

The TC2682/TC2683/TC2684 perform inverting voltage conversions but do not provide any type of regulation. The output voltage will droop in a linear manner with respect to the output load current. The value of the equivalent output resistance is approximately 120Ω nominal at +25°C and  $V_{IN} = +5V$ . In this particular case, the output is approximately -10V at very light loads and will droop according to the equation below:

$$V_{DROOP} = I_{OUT} \times R_{OUT}$$

### 4.2 Capacitor Selection

In order to maintain the lowest output resistance and output ripple voltage, it is recommended that low ESR capacitors be used. Additionally, larger values of C1 and C2 will lower the output resistance and larger values of  $C_{OUT}$  will reduce output ripple.

**Note:** For proper charge pump operation, C1 must have a voltage rating greater than or equal to  $V_{IN}$ , while C2 and  $C_{OUT}$  must have a voltage rating greater than or equal to  $2V_{IN}$ .

Table 4-1 shows various values of C1/C2 and the corresponding output resistance values for  $V_{IN} = 5V$  @ +25°C.

Table 4-2 shows the output voltage ripple for various values of  $C_{OUT}$  (again assuming  $V_{IN} = 5V$  @ +25°C). The  $V_{RIPPLE}$  values assume a 1mA output load current and a 0.1Ω  $ESR_{C_{OUT}}$ .

**TABLE 4-1: OUTPUT RESISTANCE VS. C1/C2 (ESR = 0.1Ω)**

| C1, C2 (μF) | TC2682 $R_{OUT}(\Omega)$ | TC2683 $R_{OUT}(\Omega)$ | TC2684 $R_{OUT}(\Omega)$ |
|-------------|--------------------------|--------------------------|--------------------------|
| 0.33        | 633                      | 184                      | 120                      |
| 1           | 262                      | 120                      | 102                      |
| 3.3         | 120                      | 95                       | 84                       |

**TABLE 4-2: OUTPUT VOLTAGE RIPPLE VS.  $C_{OUT2}$  (ESR = 0.1Ω)  $I_{OUT} = 1mA$**

| $C_{OUT}$ (μF) | TC2682 $V_{RIPPLE}$ (mV) | TC2683 $V_{RIPPLE}$ (mV) | TC2684 $V_{RIPPLE}$ (mV) |
|----------------|--------------------------|--------------------------|--------------------------|
| 0.33           | 192                      | 60                       | 27                       |
| 1              | 63                       | 21                       | 16                       |
| 3.3            | 17                       | 8                        | 7                        |

### 4.3 Input Supply Bypassing

The  $V_{IN}$  input should be capacitively bypassed to reduce AC impedance and minimize noise effects due to the switching internal to the device. It is recommended that a large value capacitor (at least equal to C1) be connected from  $V_{IN}$  to GND for optimal circuit performance.

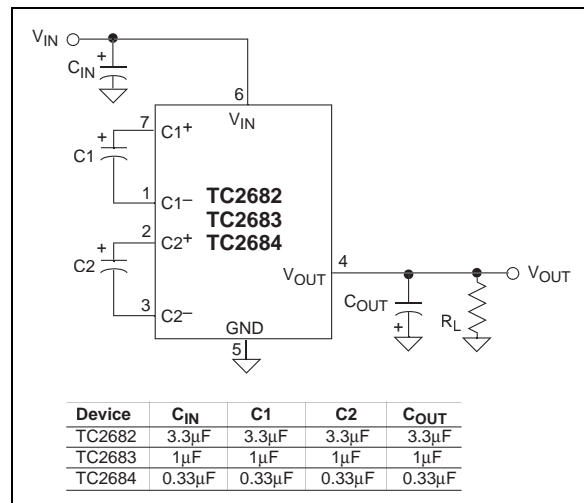
### 4.4 Inverting Voltage Doubler

The most common application for the TC2682/TC2683/TC2684 devices is the inverting voltage doubler (Figure 4-1). This application uses three external capacitors: C1, C2 and  $C_{OUT}$ .

**Note:** A power supply bypass capacitor is recommended.

The output is equal to  $-2V_{IN}$  plus any voltage drops due to loading. Refer to Table 4-1 and Table 4-2 for capacitor selection guidelines.

**FIGURE 4-1: DUAL VOLTAGE INVERTER TEST CIRCUIT**



### 4.5 Layout Considerations

As with any switching power supply circuit, good layout practice is recommended. Mount components as close together as possible to minimize stray inductance and capacitance. Also use a large ground plane to minimize noise leakage into other circuitry.

# TC2682/TC2683/TC2684

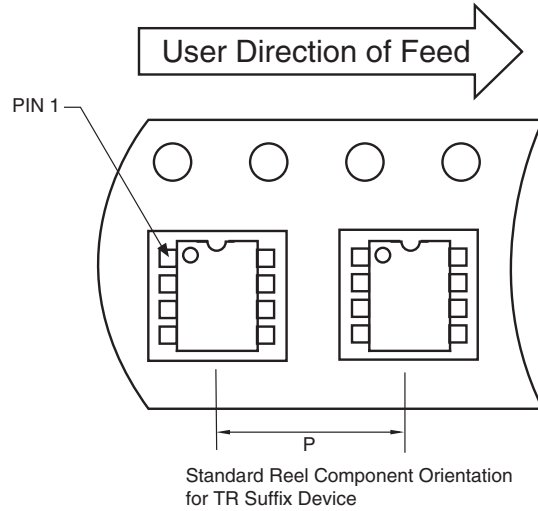
## 5.0 PACKAGING INFORMATION

### 5.1 Package Marking Information

Package marking data not available at this time.

### 5.2 Taping Form

**Component Taping Orientation for 8-Pin MSOP Devices**

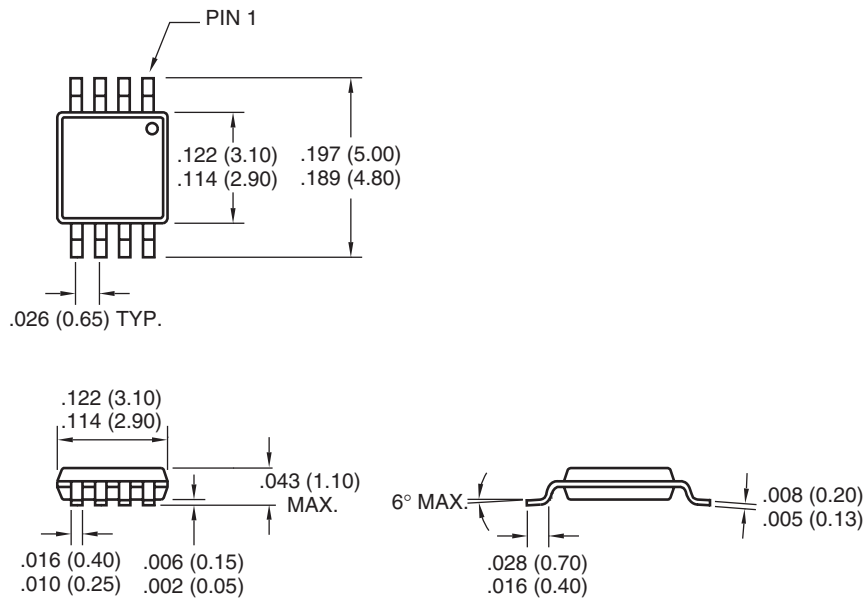


**Carrier Tape, Number of Components Per Reel and Reel Size**

| Package    | Carrier Width (W) | Pitch (P) | Part Per Full Reel | Reel Size |
|------------|-------------------|-----------|--------------------|-----------|
| 8-Pin MSOP | 12 mm             | 8 mm      | 2500               | 13 in     |

### 5.3 Package Dimensions

#### 8-Pin MSOP



Dimensions: inches (mm)

## **Sales and Support**

### **Data Sheets**

Products supported by a preliminary Data Sheet may have an errata sheet describing minor operational differences and recommended workarounds. To determine if an errata sheet exists for a particular device, please contact one of the following:

1. Your local Microchip sales office
2. The Microchip Corporate Literature Center U.S. FAX: (480) 792-7277
3. The Microchip Worldwide Site ([www.microchip.com](http://www.microchip.com))

Please specify which device, revision of silicon and Data Sheet (include Literature #) you are using.

### **New Customer Notification System**

Register on our web site ([www.microchip.com/cn](http://www.microchip.com/cn)) to receive the most current information on our products.

# TC2682/TC2683/TC2684

---

NOTES:

---

---

**Note the following details of the code protection feature on Microchip devices:**

- Microchip products meet the specification contained in their particular Microchip Data Sheet.
- Microchip believes that its family of products is one of the most secure families of its kind on the market today, when used in the intended manner and under normal conditions.
- There are dishonest and possibly illegal methods used to breach the code protection feature. All of these methods, to our knowledge, require using the Microchip products in a manner outside the operating specifications contained in Microchip's Data Sheets. Most likely, the person doing so is engaged in theft of intellectual property.
- Microchip is willing to work with the customer who is concerned about the integrity of their code.
- Neither Microchip nor any other semiconductor manufacturer can guarantee the security of their code. Code protection does not mean that we are guaranteeing the product as "unbreakable."

Code protection is constantly evolving. We at Microchip are committed to continuously improving the code protection features of our products. Attempts to break Microchip's code protection feature may be a violation of the Digital Millennium Copyright Act. If such acts allow unauthorized access to your software or other copyrighted work, you may have a right to sue for relief under that Act.

---

Information contained in this publication regarding device applications and the like is provided only for your convenience and may be superseded by updates. It is your responsibility to ensure that your application meets with your specifications. MICROCHIP MAKES NO REPRESENTATIONS OR WARRANTIES OF ANY KIND WHETHER EXPRESS OR IMPLIED, WRITTEN OR ORAL, STATUTORY OR OTHERWISE, RELATED TO THE INFORMATION, INCLUDING BUT NOT LIMITED TO ITS CONDITION, QUALITY, PERFORMANCE, MERCHANTABILITY OR FITNESS FOR PURPOSE. Microchip disclaims all liability arising from this information and its use. Use of Microchip's products as critical components in life support systems is not authorized except with express written approval by Microchip. No licenses are conveyed, implicitly or otherwise, under any Microchip intellectual property rights.

**Trademarks**

The Microchip name and logo, the Microchip logo, Accuron, dsPIC, KEELOQ, microID, MPLAB, PIC, PICmicro, PICSTART, PRO MATE, PowerSmart, rPIC, and SmartShunt are registered trademarks of Microchip Technology Incorporated in the U.S.A. and other countries.


AmpLab, FilterLab, Migratable Memory, MXDEV, MXLAB, PICMASTER, SEEVAL, SmartSensor and The Embedded Control Solutions Company are registered trademarks of Microchip Technology Incorporated in the U.S.A.

Analog-for-the-Digital Age, Application Maestro, dsPICDEM, dsPICDEM.net, dsPICworks, ECAN, ECONOMONITOR, FanSense, FlexROM, fuzzyLAB, In-Circuit Serial Programming, ICSP, ICEPIC, Linear Active Thermistor, MPASM, MPLIB, MPLINK, MPSIM, PCKIT, PICDEM, PICDEM.net, PICLAB, PICtail, PowerCal, PowerInfo, PowerMate, PowerTool, rLAB, rPICDEM, Select Mode, Smart Serial, SmartTel, Total Endurance and WiperLock are trademarks of Microchip Technology Incorporated in the U.S.A. and other countries.

SQTP is a service mark of Microchip Technology Incorporated in the U.S.A.

All other trademarks mentioned herein are property of their respective companies.

© 2005, Microchip Technology Incorporated, Printed in the U.S.A., All Rights Reserved.

 Printed on recycled paper.

**QUALITY MANAGEMENT SYSTEM  
CERTIFIED BY DNV  
== ISO/TS 16949:2002 ==**

*Microchip received ISO/TS-16949:2002 quality system certification for its worldwide headquarters, design and wafer fabrication facilities in Chandler and Tempe, Arizona and Mountain View, California in October 2003. The Company's quality system processes and procedures are for its PICmicro® 8-bit MCUs, KEELOQ® code hopping devices, Serial EEPROMs, microperipherals, nonvolatile memory and analog products. In addition, Microchip's quality system for the design and manufacture of development systems is ISO 9001:2000 certified.*



---

---

## WORLDWIDE SALES AND SERVICE

---

---

### AMERICAS

#### Corporate Office

2355 West Chandler Blvd.  
Chandler, AZ 85224-6199  
Tel: 480-792-7200  
Fax: 480-792-7277  
Technical Support:  
<http://support.microchip.com>  
Web Address:  
[www.microchip.com](http://www.microchip.com)

#### Atlanta

Alpharetta, GA  
Tel: 770-640-0034  
Fax: 770-640-0307

#### Boston

Westborough, MA  
Tel: 774-760-0087  
Fax: 774-760-0088

#### Chicago

Itasca, IL  
Tel: 630-285-0071  
Fax: 630-285-0075

#### Dallas

Addison, TX  
Tel: 972-818-7423  
Fax: 972-818-2924

#### Detroit

Farmington Hills, MI  
Tel: 248-538-2250  
Fax: 248-538-2260

#### Kokomo

Kokomo, IN  
Tel: 765-864-8360  
Fax: 765-864-8387

#### Los Angeles

Mission Viejo, CA  
Tel: 949-462-9523  
Fax: 949-462-9608

#### San Jose

Mountain View, CA  
Tel: 650-215-1444  
Fax: 650-961-0286

#### Toronto

Mississauga, Ontario,  
Canada  
Tel: 905-673-0699  
Fax: 905-673-6509

### ASIA/PACIFIC

#### Australia - Sydney

Tel: 61-2-9868-6733  
Fax: 61-2-9868-6755

#### China - Beijing

Tel: 86-10-8528-2100  
Fax: 86-10-8528-2104

#### China - Chengdu

Tel: 86-28-8676-6200  
Fax: 86-28-8676-6599

#### China - Fuzhou

Tel: 86-591-8750-3506  
Fax: 86-591-8750-3521

#### China - Hong Kong SAR

Tel: 852-2401-1200  
Fax: 852-2401-3431

#### China - Qingdao

Tel: 86-532-8502-7355  
Fax: 86-532-8502-7205

#### China - Shanghai

Tel: 86-21-5407-5533  
Fax: 86-21-5407-5066

#### China - Shenyang

Tel: 86-24-2334-2829  
Fax: 86-24-2334-2393

#### China - Shenzhen

Tel: 86-755-8203-2660  
Fax: 86-755-8203-1760

#### China - Shunde

Tel: 86-757-2839-5507  
Fax: 86-757-2839-5571

#### China - Wuhan

Tel: 86-27-5980-5300  
Fax: 86-27-5980-5118

#### China - Xian

Tel: 86-29-8833-7250  
Fax: 86-29-8833-7256

### ASIA/PACIFIC

#### India - Bangalore

Tel: 91-80-2229-0061  
Fax: 91-80-2229-0062

#### India - New Delhi

Tel: 91-11-5160-8631  
Fax: 91-11-5160-8632

#### India - Pune

Tel: 91-20-2566-1512  
Fax: 91-20-2566-1513

#### Japan - Yokohama

Tel: 81-45-471-6166  
Fax: 81-45-471-6122

#### Korea - Gumi

Tel: 82-54-473-4301  
Fax: 82-54-473-4302

#### Korea - Seoul

Tel: 82-2-554-7200  
Fax: 82-2-558-5932 or  
82-2-558-5934

#### Malaysia - Penang

Tel: 60-4-646-8870  
Fax: 60-4-646-5086

#### Philippines - Manila

Tel: 63-2-634-9065  
Fax: 63-2-634-9069

#### Singapore

Tel: 65-6334-8870  
Fax: 65-6334-8850

#### Taiwan - Hsin Chu

Tel: 886-3-572-9526  
Fax: 886-3-572-6459

#### Taiwan - Kaohsiung

Tel: 886-7-536-4818  
Fax: 886-7-536-4803

#### Taiwan - Taipei

Tel: 886-2-2500-6610  
Fax: 886-2-2508-0102

#### Thailand - Bangkok

Tel: 66-2-694-1351  
Fax: 66-2-694-1350

### EUROPE

#### Austria - Wels

Tel: 43-7242-2244-399  
Fax: 43-7242-2244-393

#### Denmark - Copenhagen

Tel: 45-4450-2828  
Fax: 45-4485-2829

#### France - Paris

Tel: 33-1-69-53-63-20  
Fax: 33-1-69-30-90-79

#### Germany - Munich

Tel: 49-89-627-144-0  
Fax: 49-89-627-144-44

#### Italy - Milan

Tel: 39-0331-742611  
Fax: 39-0331-466781

#### Netherlands - Drunen

Tel: 31-416-690399  
Fax: 31-416-690340

#### Spain - Madrid

Tel: 34-91-708-08-90  
Fax: 34-91-708-08-91

#### UK - Wokingham

Tel: 44-118-921-5869  
Fax: 44-118-921-5820