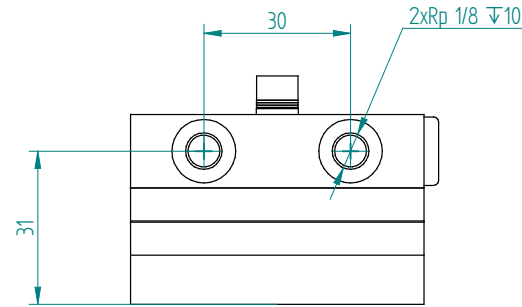


Specification (Ta=32°C)	Code	Description
Heat transfer, cold side:	D	Direct
Heat transfer, warm side:	L	Liquid
Cascade:	-	
Cooling power: [W]	120	Calculated 135 W at dT=0°C. Tolerance: ±10%.
Voltage, nominal: [VDC]	24	24 VDC
TEM Voltage: [VDC]		Nominal: 24 VDC, Max: 30 VDC
TEM Current: [A]		Nominal: 4.7 A, Initial: 5.2 A. All at dT=0°C. Tolerance: ±10%.
Fan(s), cold side:	0	None.
Fan(s), warm side:	0	None.
Temperature controller, sensor:	0	None.
Temperature control settings, trim options:	0	-
Additional controller information		
Temperature control position:	0	-
Options:	0	-
Overheating thermostat:		75°C ±5°C on hot side heat sink surface. Not wired in serie with TEMs. Use it to control a relay.
Operating temperature:		Max. 62°C at nominal voltage.
TE-Module(s) temperature specification:		Max. surface temperature: 80°C
Enclosed:		Turbulators fitted in liquid channels. 2 x L-PNPP-6-1/8
Packing:		Individual cardboard box.

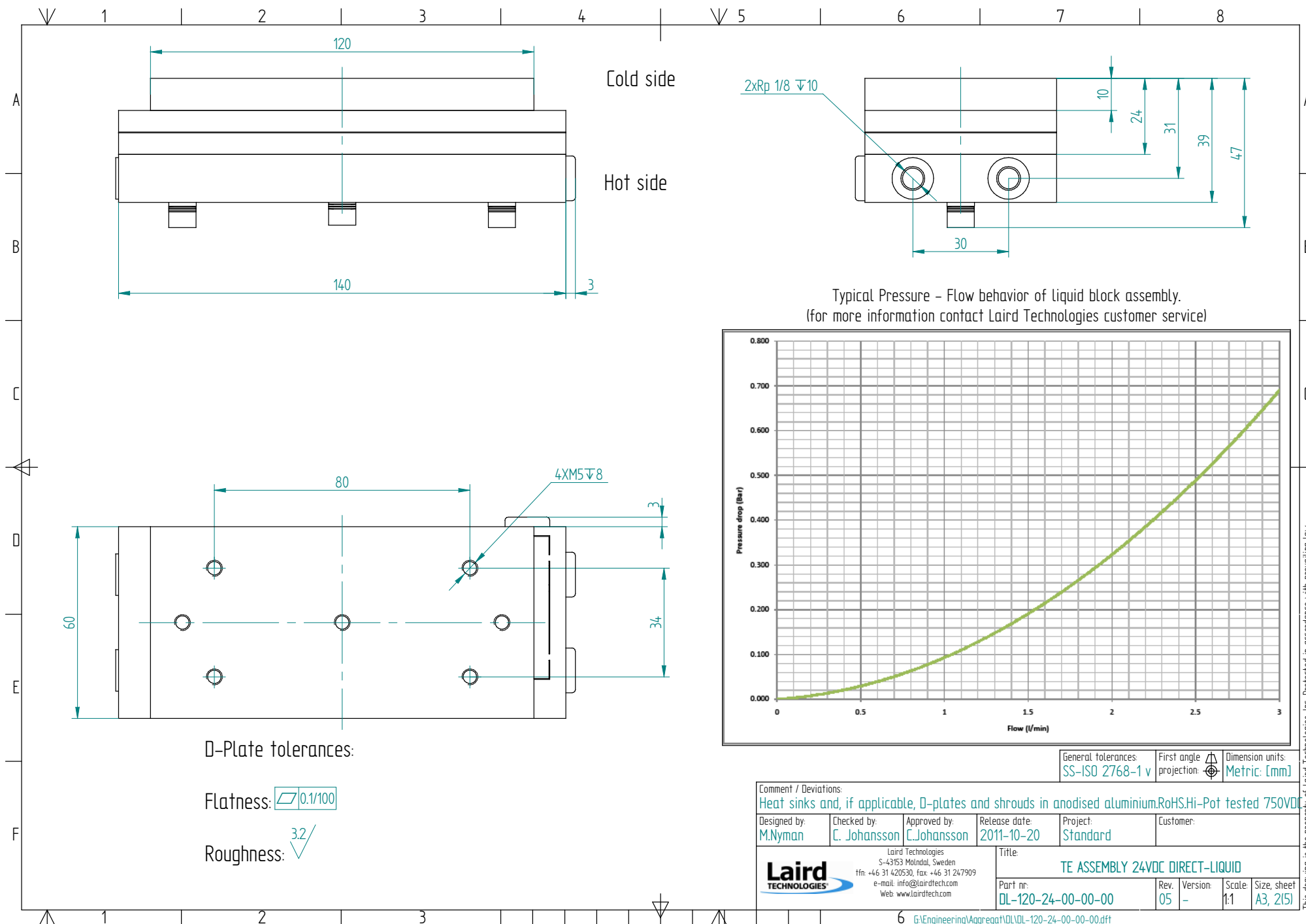


For overheating protection the cooler is equipped with a bimetal thermostat. The maximum rating for the thermostat is 8 A DC. For systems with 8 A or less the thermostat can be connected directly in series with the ThermoElectric Modules (TEM:S). Otherwise connect the TEM:S to the power source through a relay of suitable rating which state is controlled with the bimetal thermostat.

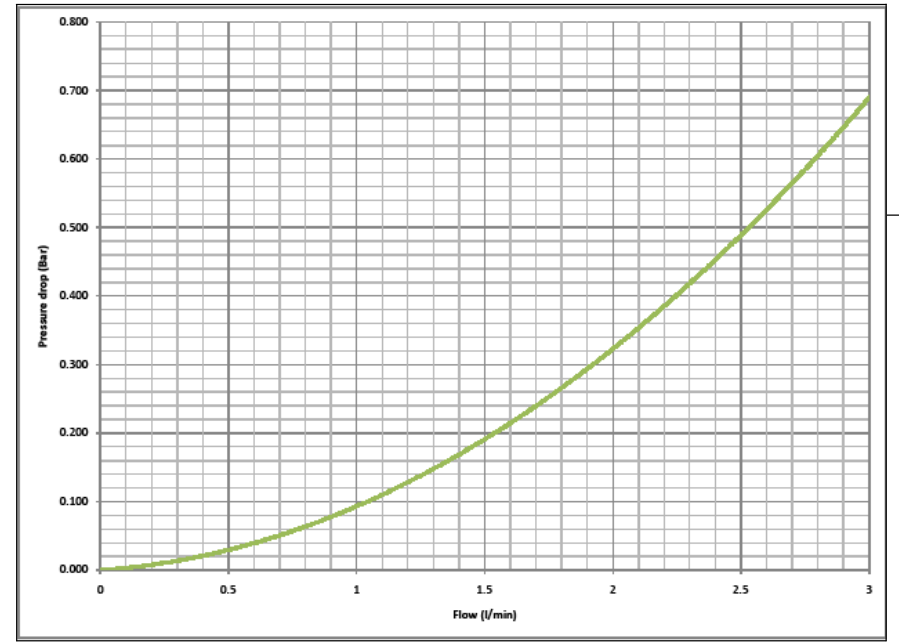
Note:
Cooled liquid block needs to be isolated from air humidity to minimize risk for condensation and thermally insulated for best performance.

General tolerances: SS-ISO 2768-1 v	First angle projection: 	Dimension units: Metric: [mm]
--	-----------------------------	----------------------------------

Comment / Deviations: Heat sinks and, if applicable, D-plates and shrouds in anodised aluminium, RoHS, Hi-Pot tested 750VDC					
Designed by: M. Nyman	Checked by: C. Johansson	Approved by: C. Johansson	Release date: 2011-10-20	Project: Standard	Customer:
 Laird Technologies S-43153 Mölndal, Sweden tfn: +46 31 420530, fax: +46 31 247909 e-mail: info@lairdtech.com Web: www.lairdtech.com			Title: TE ASSEMBLY 24VDC DIRECT-LIQUID		
Part nr: DL-120-24-00-00-00			Rev: 05	Version: -	Scale: Size, sheet 1:1 A3, 1/5



Typical Pressure - Flow behavior of liquid block assembly.
(for more information contact Laird Technologies customer service)



D-Plate tolerances:

Flatness: $\square 0.1/100$

Roughness: $\surd 3.2$

General tolerances: SS-ISO 2768-1 v
 First angle projection: \triangle
 Dimension units: Metric [mm]

Comment / Deviations:
 Heat sinks and, if applicable, D-plates and shrouds in anodized aluminium. RoHS. Hi-Pot tested 750VDC

Designed by: M. Nyman	Checked by: C. Johansson	Approved by: C. Johansson	Release date: 2011-10-20	Project: Standard	Customer:
-----------------------	--------------------------	---------------------------	--------------------------	-------------------	-----------

	Laird Technologies S-43153 Molndal, Sweden tfn: +46 31 420530, fax: +46 31 247909 e-mail: info@lairdtech.com Web: www.lairdtech.com		Title: TE ASSEMBLY 24VDC DIRECT-LIQUID	
	Part nr: DL-120-24-00-00-00	Rev: 05	Version: -	Scale: 1:1 Size, sheet: A3, 215

This drawing is the property of Laird Technologies, Inc. Protected in accordance with prevailing law.