

## FEATURES

- > RF efficient design offers high power handling in a small package
- > Tungsten contacts improve hot load switching\*
- > Contact GIGAVAC Applications Support for load capability
- > Can be mounted in any position, any axis

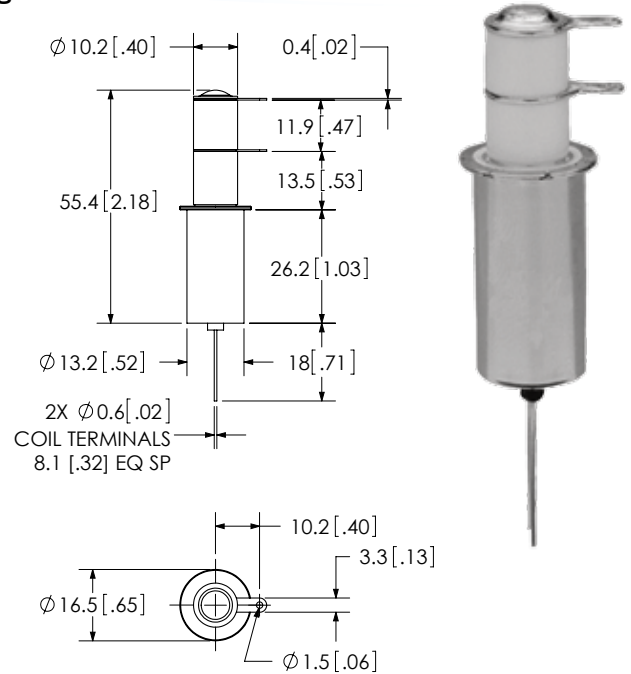
## PRODUCT SPECIFICATIONS

Contact & Relay Ratings	Units	G43
<b>Contact Form</b>		B
<b>Contact Arrangement</b>		SPST-NC
<b>Voltage, Test Max., Contacts &amp; to Base (15 µA Leakage Max., dc or 60Hz)</b>	kV Peak	11
<b>Voltage, Operating Max., Contacts &amp; to Base (15 µA Leakage Max.)</b>		
dc or 60 Hz	kV Peak	10
2.5 MHz	kV Peak	7
16 MHz	kV Peak	6
32 MHz	kV Peak	4
<b>Current, Load Switching</b>		Consult factory
<b>Current, Continuous Carry Max</b>		
dc or 60 Hz	Amps	25*
2.5 MHz	Amps	20
16 MHz	Amps	13
32 MHz	Amps	10
<b>Coil Hi-Pot (V RMS, 60 Hz)</b>	V	500
<b>Capacitance</b>		
Across Open Contacts	pF	1.2
Contacts to Ground	pF	1.2
<b>Resistance, Contact Max @ 1A, 28 Vdc</b>	ohms	0.02
<b>Operate Time</b>	ms	10
<b>Release Time</b>	ms	10
<b>Life, Mechanical</b>	cycles	2 million
<b>Weight, Nominal</b>	g (oz)	28 (1)
<b>Vibration, Operating, Sine (55-500 Hz Peak)</b>	G's	10
<b>Shock, Operating, 1/2 Sine11ms (Peak)</b>	G's	50
<b>Temperature Ambient Operating</b>	°C	-55 to +125

\*Consult factory for load switching applications.

## COIL RATINGS

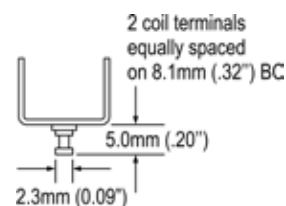
Nominal, Volts dc	12	26.5	115
Pick-up, Volts dc, Max.	8	16	80
Drop-Out, Volts dc	.5 - 5	1 - 10	5 - 50
Coil Resistance (Ohms ±10%)	70	290	4700



## PART NUMBER SYSTEM

G43B	3	3	4
<b>Coil Voltage</b>	2 = 12 Vdc, Bus Wire 3 = 26.5 Vdc, Bus Wire 5 = 115 Vdc, Bus Wire 7 = 12 Vdc, Turret Terminal 8 = 26.5 Vdc, Turret Terminal 9 = 115 Vdc, Turret Terminal		
<b>High Voltage Connections</b>		3 = Solder Connection	
<b>Mounting</b>			2 = 3-hole Flange 4 = Std Flange

### Turret Terminal



### 3-Hole Flange

