

FEATURES

- > RF efficient design offers high power handling in a small package
- > Tungsten contacts improve hot load switching
- > Contact GIGAVAC Applications Support for load capability
- > Can be mounted in any position, any axis
- > Meets or exceeds standards set in MIL-R-83725

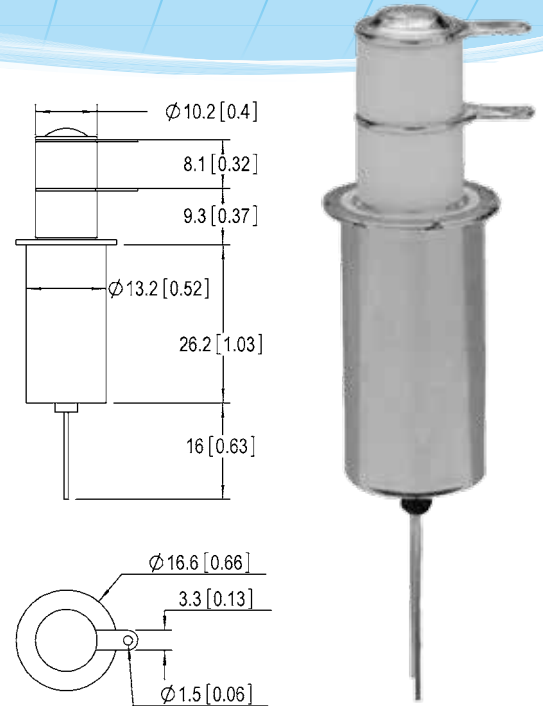
PRODUCT SPECIFICATIONS

Contact & Relay Ratings	Units	G41
Contact Form		B
Contact Arrangement		SPST-NC
Voltage, Test Max., Contacts & to Base (15 µA Leakage Max., dc or 60Hz)	kV Peak	6
Voltage, Operating Max., Contacts & to Base (15 µA Leakage Max.)		
dc or 60 Hz	kV Peak	5
2.5 MHz	kV Peak	4.5
16 MHz	kV Peak	3.5
32 MHz	kV Peak	2.8
Current, Continuous Carry Max		
dc or 60 Hz	Amps	30*
2.5 MHz	Amps	24
16 MHz	Amps	16
32 MHz	Amps	12
Coil Hi-Pot (V RMS, 60 Hz)	V	500
Capacitance		
Across Open Contacts	pF	1.2
Contacts to Ground	pF	1.2
Resistance, Contact Max @ 1A, 28 Vdc	ohms	0.02
Operate Time	ms	10
Release Time	ms	10
Life, Mechanical	cycles	2 million
Weight, Nominal	g (oz)	28 (1)
Vibration, Operating, Sine (55-500 Hz Peak)	G's	10
Shock, Operating, 1/2 Sine 11ms (Peak)	G's	50
Temperature Ambient Operating	°C	-55 to +125

* Consult factory for load switching applications.

COIL RATINGS

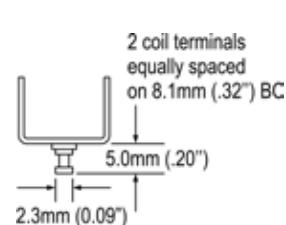
Nominal, Volts dc	12	26.5	115
Pick-up, Volts dc, Max.	8	16	80
Drop-Out, Volts dc	.5 - 5	1 - 10	5 - 50
Coil Resistance (Ohms ±10%)	70	290	4700



PART NUMBER SYSTEM

G41B	3	3	5
Coil Voltage	2 = 12 Vdc, Bus Wire 3 = 26.5 Vdc, Bus Wire 4 = 115 Vdc, Bus Wire 7 = 12 Vdc, Turret Terminal 8 = 26.5 Vdc, Turret Terminal 9 = 115 Vdc, Turret Terminal		
High Voltage Connections		3 = Solder Connection	
Mounting			2 = 3-hole Flange 4 = Std Flange

Turret Terminal



3-Hole Flange

