

# Switching Power Supply-Desktop type

## GPE153D SERIES 15W

### FEATURES

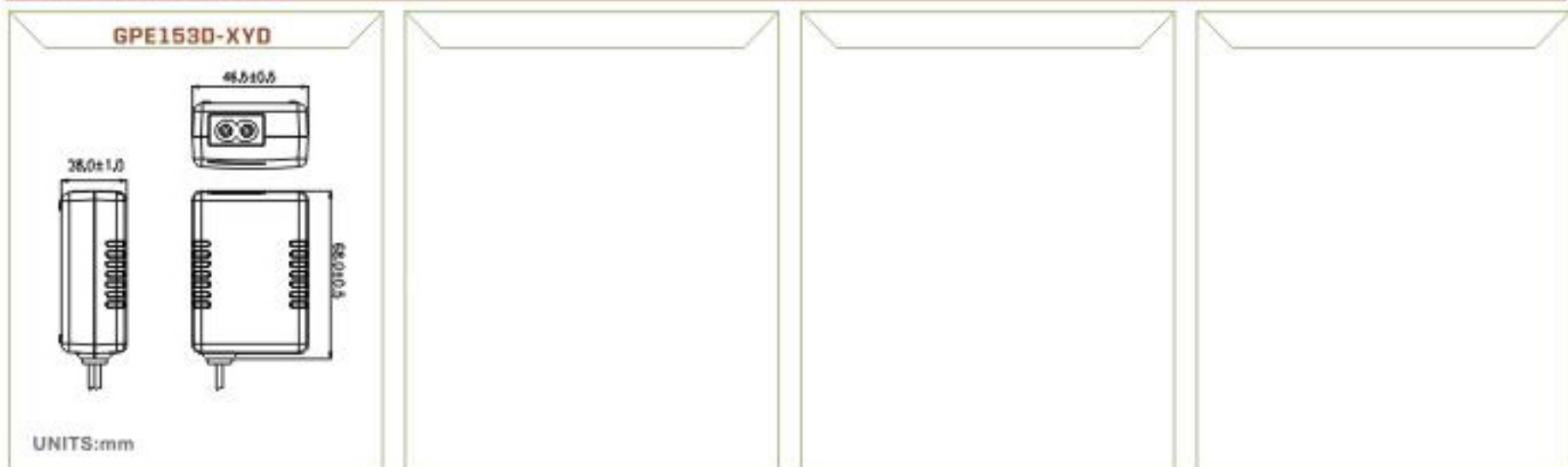
- CONSTANT VOLTAGE MODE POWER SUPPLY
- AC INLET IEC-60320 C8
- UNIVERSAL AC INPUT/FULL RANGE
- COOLING BY FREE AIR CONVECTION
- PASS LPS
- 100% FULL LOAD BURN-IN TEST
- LOW COST,HIGH RELIABILITY



### APPLICATION

- |             |       |                  |                |       |
|-------------|-------|------------------|----------------|-------|
| • LCD-TV    | • PDA | • DIGITAL CAMERA | • WIRE STATION | • HUB |
| • BLUETOOTH | • GPS | • MULTI-SPEAKER  |                |       |

### DIMENSION



### SPECIFICATIONS

Input	Rated Input Voltage	100Vac TO 240Vac	Rated Input Frequenc	50/60Hz
	Input Voltage Range	90Vac TO 264Vac	Inrush Current	30A Max. At 100-240vac Input For A Cold Start At 25 °C.
	Input Current	450mA max. at 100-240Vac input	Leakage Current	0.25mA Max
	Efficiency	Meet Average Efficiency Achieves ES Level V And Euro COC V4.0		
Output	Voltage(VO)	DC 5-24V		
	Output Regulation	±5%constant Volatage Mode		
	Current Regulation	±5%constant Current Mode		
	Current limit	2.5A max @5-24V, 15W max		
	Ripple and Noise	100mVp-p max @20MHz Bandwidth 47uF Ele. Cap.+0.1uF Cer. Cap.		
	Maxinum Power (PO)	15W max @ DC 5-24V		
	Hold-up Time	10ms Typical At Full Load@ 115v		
	Protection	Over-current Protection;short-circuit Protection;Over-voltage Protection		
	DC Cable	Length of output DC cabel--180cm		
USB	N/A			
EMC	EMI	FCC CLASS B;CISRP22 CLASS B;EN55022		
	EMS	IEC61000-4-2,3,4,5,6,8,11		
Safety	LVD,EN60950,EN60065,UL60950,UL60065,J60950,J60065,GB4943,GB8898			
Environmental	Operation Temperature	0°C to 40°C ambient		
	Storage Temperature	-10°C to 70°C		
	MTBF:>650,000 Hours At Full Load And 25°C	Ambient Temperature MIL-HDBK-217F		
Weight	185g			

# Switching Power Supply-Desktop type

## GPE242D SERIES 24W

### FEATURES

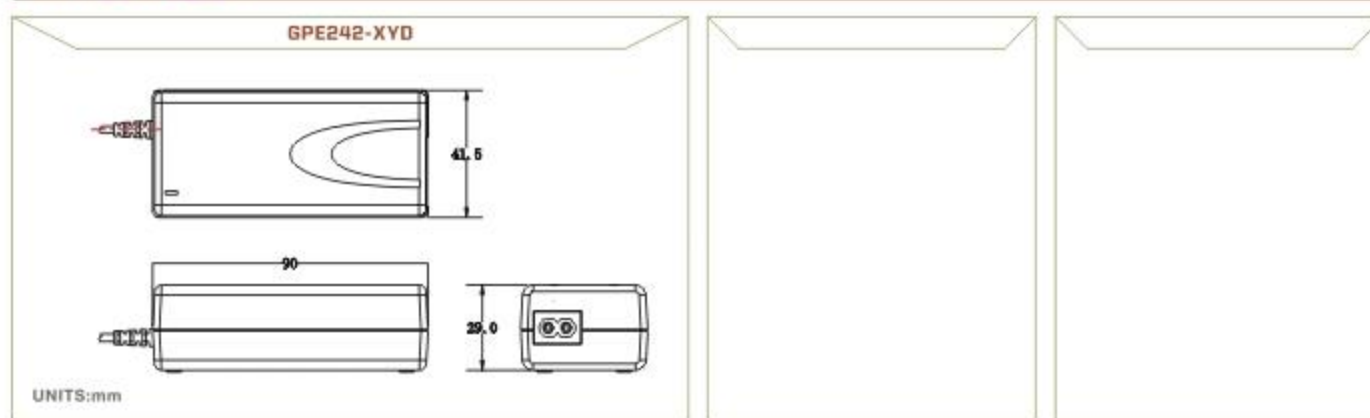
- CONSTANT VOLTAGE MODE POWER SUPPLY
- AC INLET IEC-60320 C8
- UNIVERSAL AC INPUT/FULL RANGE
- COOLING BY FREE AIR CONVECTION
- PASS LPS
- 100% FULL LOAD BURN-IN TEST
- LOW COST,HIGH RELIABILITY



### APPLICATION

- LVD
- LCD MONITOR
- NOTE BOOK
- EQUIPMENT
- PORTABLE MACHINE

### DIMENSION



### SPECIFICATIONS

Input	Rated Input Voltage	100Vac TO 240Vac	Rated Input Frequenc	50/60Hz
	Input Voltage Range	90Vac TO 264Vac	Inrush Current	60A Max. At 100-240vac Input For A Cold Start At 25 °C.
	Input Current	750mA max. at 100-240Vac Input	Leakage Current	0.25mA Max
	Efficiency	Meet Average Efficiency Achieves ES Level V And Euro COC V4.0		
	Output	Voltage(VO)	DC 5-24V	
Output	Output Regulation	±5%constant Volatage Mode		
	Current Regulation	±5%constant Current Mode		
	Current limit	4A max @5-24V, 24W max		
	Ripple and Noise	200mVp-p max @20MHz Bandwidth 47uF Ele. Cap.+0.1uF Cer. Cap.		
	Maxinum Power (PO)	24W max @ DC 5-24V		
	Hold-up Time	10ms Typical At Full Load@ 115v		
	Protection	Over-current Protection,short-circuit Protection;Over-voltage Protection		
	DC Cable	Length of output DC cabel--180cm		
	USB	N/A		
	EMC	EMI	FCC CLASS B,CISRP22 CLASS B;EN55022	
	EMS	IEC61000-4-2,3,4,5,6,8,11		
Safety	LVD,EN60950,EN60065,UL60950,UL60065,J60950,J60065,GB4943,GB8898			
Environmental	Operation Temperature	0°C to 40°C ambient		
	Storage Temperature	-10°C to 70°C		
	MTBF:>50,000 Hours At Full Load And 25°C	Ambient Temperature MIL-HDBK-217F		
Weight	295g			

# Switching Power Supply-Desktop type

## GPE402D SERIES 36W

### FEATURES

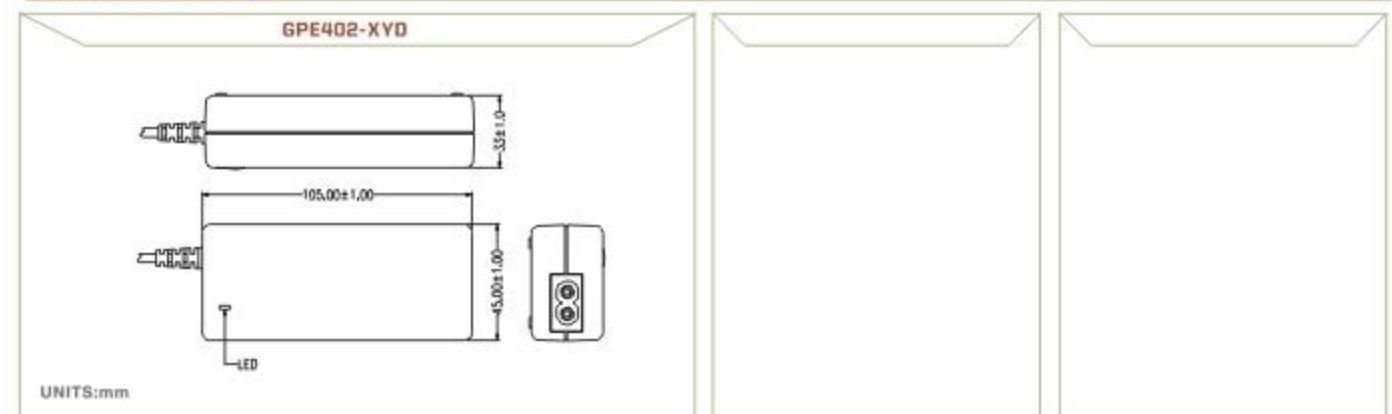
- CONSTANT VOLTAGE MODE POWER SUPPLY
- AC INLET IEC-60320 C8
- UNIVERSAL AC INPUT/FULL RANGE
- COOLING BY FREE AIR CONVECTION
- PASS LPS
- 100% FULL LOAD BURN-IN TEST
- LOW COST,HIGH RELIABILITY



### APPLICATION

- LVD
- LCD MONITOR
- NOTE BOOK
- EQUIPMENT
- PORTABLE MACHING

### DIMENSION



### SPECIFICATIONS

Input	Rated Input Voltage	100Vac TO 240Vac	Rated Input Frequenc	50/60Hz
	Input Voltage Range	90Vac TO 264Vac	Inrush Current	60A Max. At 100-240vac Input For A Cold Start At 25 °C.
	Input Current	1000mA max. at 100-240Vac Input	Leakage Current	0.25mA Max
	Efficiency	Meet Average Efficiency Achieves ES Level V And Euro COC V4.0		
	Output	Voltage(VO)	DC 5-24V	
Output	Output Regulation	±5%constant Volatage Mode		
	Current Regulation	±5%constant Current Mode		
	Current limit	4A max @5-24V, 36W max;		
	Ripple and Noise	100mVp-p max @20MHz Bandwidth 47uF Ele. Cap.+0.1uF Cer. Cap.		
	Maxinum Power (PO)	36W max @ DC 5-24V		
	Hold-up Time	10ms Typical At Full Load@ 115v		
	Protection	Over-current Protection,short-circuit Protection;Over-voltage Protection		
	DC Cable	Length of output DC cabel--180cm		
	USB	N/A		
	EMC	EMI	FCC CLASS B,CISRP22 CLASS B;EN55022	
	EMS	IEC61000-4-2,3,4,5,6,8,11		
Safety	LVD,EN60950,EN60065,UL60950,UL60065,J60950,J60065,GB4943,GB8898			
Environmental	Operation Temperature	0°C to 40°C ambient		
	Storage Temperature	-10°C to 70°C		
	MTBF:>50,000 Hours At Full Load And 25°C	Ambient Temperature MIL-HDBK-217F		
Weight	360g			



## Switching Power Supply-Desktop type

### GPE602D SERIES 60W

#### FEATURES

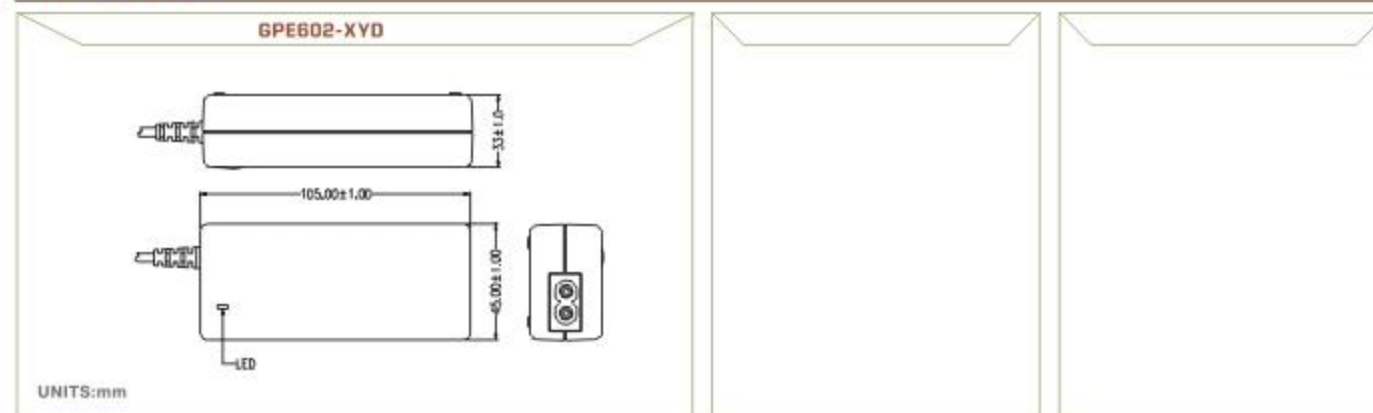
- CONSTANT VOLTAGE MODE POWER SUPPLY
- AC INLET IEC-60320 C8
- UNIVERSAL AC INPUT/FULL RANGE
- COOLING BY FREE AIR CONVECTION
- 100% FULL LOAD BURN-IN TEST
- LOW COST,HIGH RELIABILITY



#### APPLICATION

• LVD	• LCD MONITOR	• NOTE BOOK	• EQUIPMENT
• PORTABLE			

#### DIMENSION



#### SPECIFICATIONS

Input	Rated Input Voltage	100Vac TO 240Vac	Rated Input Frequenc	50/60Hz
	Input Voltage Range	90Vac TO 264Vac	Inrush Current	80A Max. At 100-240vac Input For A Cold Start At 25 ℃.
	Input Current	1500mA max. at 100-240Vac Input	Leakage Current	0.25mA Max
	Efficiency	Meet Average Efficiency Achieves ES Level V And Euro COC V4.0		
Output	Voltage(VO)	DC 12-24V		
	Output Regulation	±5% constant Volatage Mode		
	Current Regulation	±5% constant Current Mode		
	Current limit	5A max @12-24V, 60W max		
	Ripple and Noise	200mVp-p max @20MHz Bandwidth 47uF Ele. Cap.+0.1uF Cer. Cap.		
	Maxinum Power (PO)	60W max @ DC 12-24V		
	Hold-up Time	10ms Typical At Full Load@ 115v		
	Protection	Over-current Protection,short-circuit Protection;Over-voltage Protection		
	DC Cable	Length of output DC cabel--180cm		
USB	N/A			
EMC	EMI	FCC CLASS B, CISRP22 CLASS B;EN55022		
	EMS	IEC61000-4-2,3,4,5,6,8,11		
Safety	LVD,EN60950,EN60065,UL60950,UL60065,J60950,J60065,GB4943,GB8898			
Environmental	Operation Temperature	0℃ to 40℃ ambient		
	Storage Temperature	-10℃ to 70℃		
	MTBF:>50,000 Hours At Full Load And 25℃	Ambient Temperature MIL-HDBK-217F		
Weight	380g			

## Switching Power Supply-Desktop type

### GPE060D SERIES 70W

#### FEATURES

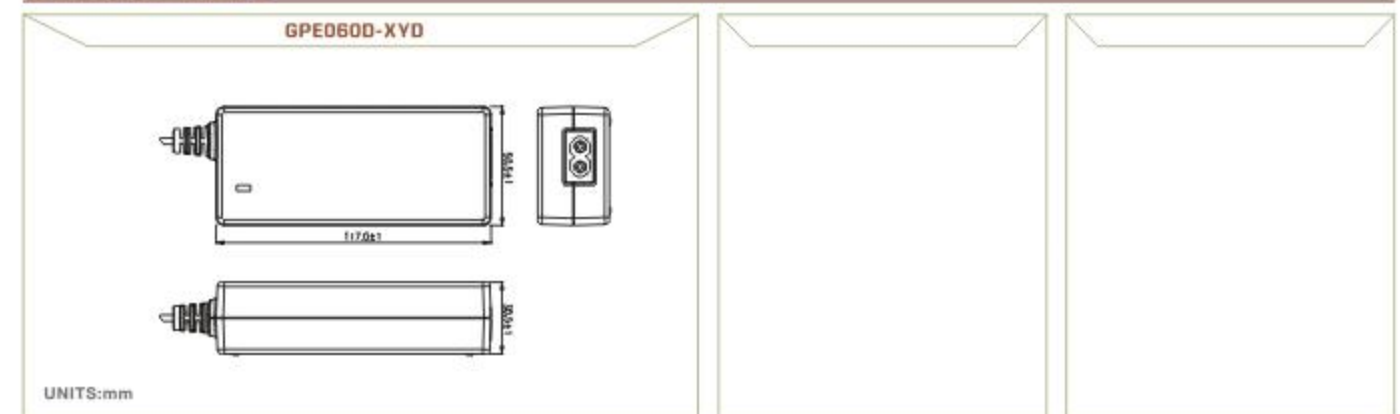
- CONSTANT VOLTAGE MODE POWER SUPPLY
- AC INLET IEC-60320 C8
- UNIVERSAL AC INPUT/FULL RANGE
- COOLING BY FREE AIR CONVECTION
- 100% FULL LOAD BURN-IN TEST
- LOW COST,HIGH RELIABILITY



#### APPLICATION

• LVD	• LCD MONITOR	• NOTE BOOK	• EQUIPMENT
• PORTABLE MACHINE			

#### DIMENSION



#### SPECIFICATIONS

Input	Rated Input Voltage	100Vac TO 240Vac	Rated Input Frequenc	50/60Hz
	Input Voltage Range	90Vac TO 264Vac	Inrush Current	90A Max. At 100-240vac Input For A Cold Start At 25 ℃.
	Input Current	1500mA max. at 100-240Vac Input	Leakage Current	0.25mA Max
	Efficiency	Meet Average Efficiency Achieves ES Level V And Euro COC V4.0		
Output	Voltage(VO)	DC 5-24V		
	Output Regulation	±5% constant Volatage Mode		
	Current Regulation	±5% constant Current Mode		
	Current limit	6A max @5-8.9V, 48W max;5A max@9-17.9V,60Wmax;3.88A max@18-24V,70Wmax		
	Ripple and Noise	100mVp-p max @20MHz Bandwidth 47uF Ele. Cap.+0.1uF Cer. Cap.		
	Maxinum Power (PO)	70W max @ DC 5-24V		
	Hold-up Time	10ms Typical At Full Load@ 115v		
	Protection	Over-current Protection,short-circuit Protection;Over-voltage Protection		
	DC Cable	Length of output DC cabel--180cm		
USB	N/A			
EMC	EMI	FCC CLASS B, CISRP22 CLASS B;EN55022,EN55013		
	EMS	IEC61000-4-2,3,4,5,6,8,11		
Safety	LVD,EN61558,EN60065,UL60065,J60065,k60065,GB8898			
Environmental	Operation Temperature	0℃ to 40℃ ambient		
	Storage Temperature	-10℃ to 70℃		
	MTBF:>80,000 Hours At Full Load And 25℃	Ambient Temperature MIL-HDBK-217F		
Weight	385g			

## Switching Power Supply-Desktop type

### ➤ GPE908D SERIES 90W

#### FEATURES

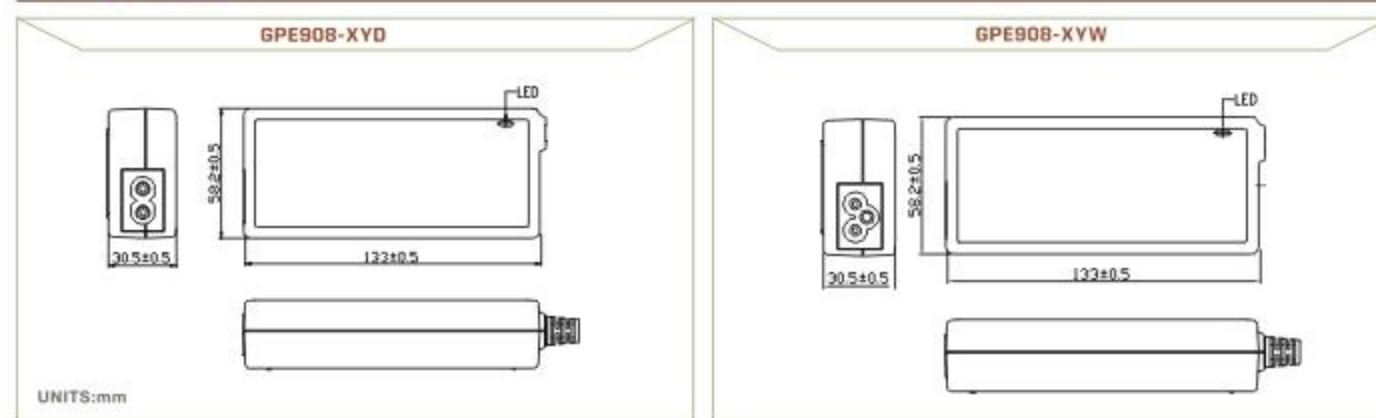
- CONSTANT VOLTAGE MODE POWER SUPPLY
- AC INLET IEC-60320 C6 OR C8
- UNIVERSAL AC INPUT/FULL RANGE
- COOLING BY FREE AIR CONVECTION
- 100% FULL LOAD BURN-IN TEST
- LOW COST,HIGH RELIABILITY



#### APPLICATION

• LVD	• LCD MONITOR	• NOTE BOOK	• EQUIPMENT
• PORTABLE			

#### DIMENSION



#### SPECIFICATIONS

Input	Rated Input Voltage	100Vac TO 240Vac	Rated Input Frequenc	50/60Hz
	Input Voltage Range	90Vac TO 264Vac	Inrush Current	80A Max. At 100-240vac Input For A Cold Start At 25 ℃.
	Input Current	1500mA max. at 100-240Vac Input	Leakage Current	0.25mA Max
	Efficiency	Meet Average Efficiency Achieves ES Level V And Euro COC V4.0		
Output	Voltage(VO)	DC 12-24V		
	Output Regulation	±5%constant Volatage Mode		
	Current Regulation	±5%constant Current Mode		
	Current limit	6.5A max @12-24V, 90W max		
	Ripple and Noise	300mVp-p max @20MHz Bandwidth 47uF Ele. Cap.+0.1uF Cer. Cap.		
	Maxinum Power (PO)	90W max @ DC 12-24V		
	Hold-up Time	10ms Typical At Full Load@ 115v		
	Protection	Over-current Protection,short-circuit Protection;Over-voltage Protection		
	DC Cable	Length of output DC cabel--180cm		
	USB	N/A		
EMC	EMI	FCC CLASS B ,CISRP22 CLASS B;EN55022		
	EMS	IEC61000-4-2,3,4,5,6,8,11		
Safety	LVD,EN60950,EN60065,UL60950,UL60065,J60950,J60065,GB4943,GB8898			
Environmental	Operation Temperature	0℃ to 40℃ ambient		
	Storage Temperature	-10℃ to 70℃		
	MTBF:>50,000 Hours At Full Load And 25℃	Ambient Temperature MIL-HDBK-217F		
Weight	450g			

## Switching Power Supply-Desktop type

### ➤ GPE652D SERIES 60W

#### FEATURES

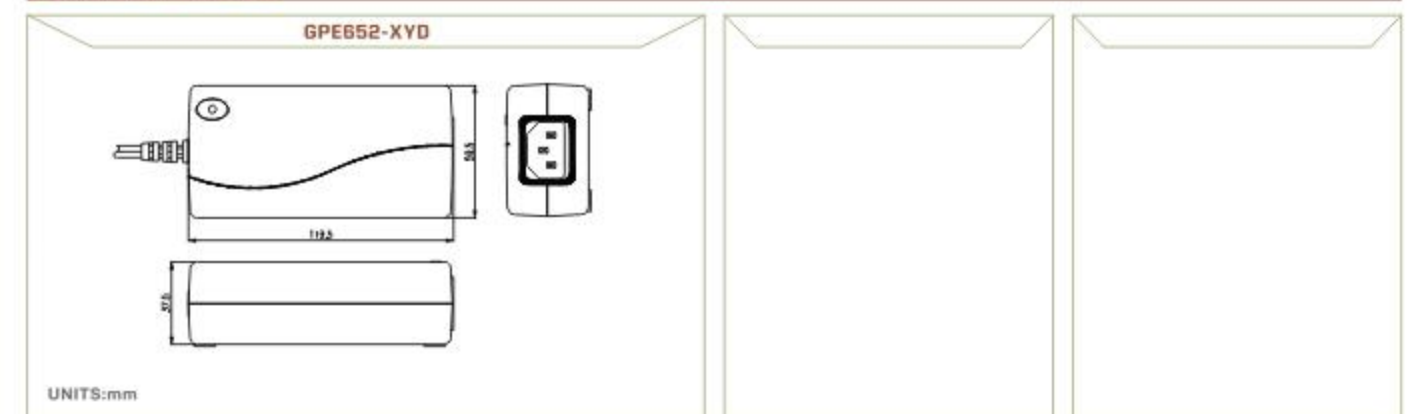
- CONSTANT VOLTAGE MODE POWER SUPPLY
- AC INLET IEC-60320 C14
- UNIVERSAL AC INPUT/FULL RANGE
- COOLING BY FREE AIR CONVECTION
- 100% FULL LOAD BURN-IN TEST
- LOW COST,HIGH RELIABILITY



#### APPLICATION

• LVD	• LCD TV	• NOTE BOOK	• EQUIPMENT
• PORTABLE MACHINE			

#### DIMENSION



#### SPECIFICATIONS

Input	Rated Input Voltage	100Vac TO 240Vac	Rated Input Frequenc	50/60Hz
	Input Voltage Range	90Vac TO 264Vac	Inrush Current	80A Max. At 100-240vac Input For A Cold Start At 25 ℃.
	Input Current	1500mA max. at 100-240Vac Input	Leakage Current	0.25mA Max
	Efficiency	Meet Average Efficiency Achieves ES Level V And Euro COC V4.0		
Output	Voltage(VO)	DC 5-24V		
	Output Regulation	±5%constant Volatage Mode		
	Current Regulation	±5%constant Current Mode		
	Current limit	5A max @5-24V, 60W max		
	Ripple and Noise	200mVp-p max @20MHz Bandwidth 47uF Ele. Cap.+0.1uF Cer. Cap.		
	Maxinum Power (PO)	60W max @ DC 5-12V		
	Hold-up Time	10ms Typical At Full Load@ 115v		
	Protection	Over-current Protection,short-circuit Protection;Over-voltage Protection		
	DC Cable	Length of output DC cabel--180cm		
	USB	N/A		
EMC	EMI	FCC CLASS B ,CISRP22 CLASS B;EN55022		
	EMS	IEC61000-4-2,3,4,5,6,8,11		
Safety	LVD,EN60950,EN60065,UL60950,UL60065,J60950,J60065,GB4943,GB8898			
Environmental	Operation Temperature	0℃ to 40℃ ambient		
	Storage Temperature	-10℃ to 70℃		
	MTBF:>50,000 Hours At Full Load And 25℃	Ambient Temperature MIL-HDBK-217F		
Weight	385g			