

10/100 BASE –T MAGNETICS MODULES

P/N: TST1284R LF DATA SHEET

Feature

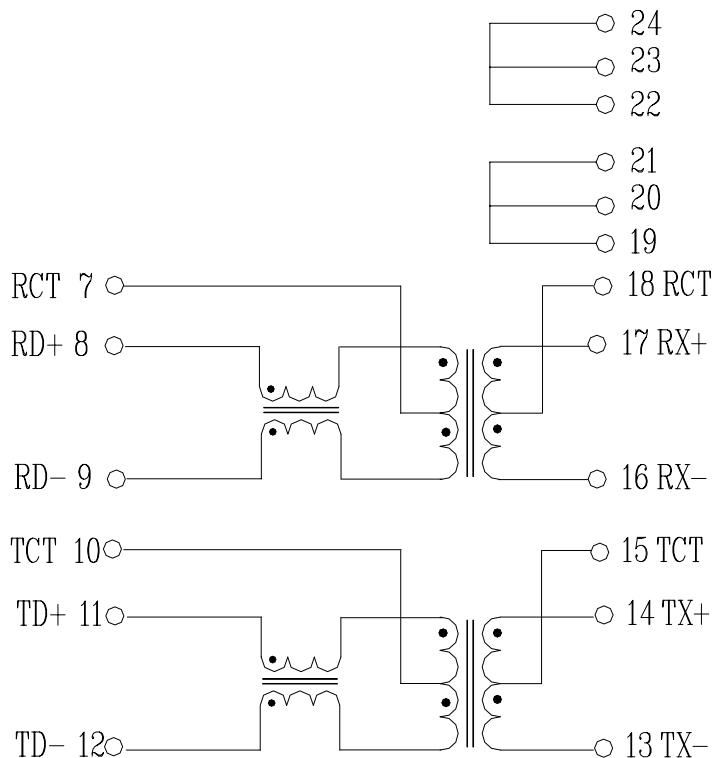


- Designed for Ethernet 100 BASE-T, full duplex applications.
- IEEE 802.3af/ANSI X3.263 compliant performance.
- 350mA current capability.
- Cable interface for isolation and low common mode emissions.
- Comply with ROHS & Halogen Free requirements.
- Operating temperature range: 0 to +70 .
- Storage temperature range: -25 to +85 .

Electrical Specifications @ 25°C					
Part Number	Turns Ratio (±5%)		OCL (uH Min) @100KHz/0.1V with 8mA DC Bias	DCR (Ω Max)	HI-POT (Vrms)
	TX	RX			
TST1284R LF	1CT:1CT	1CT:1CT	350	2.0	1500

Continue											
Part Number	Insertion Loss (dB Max)	Return Loss (dB Min)@Load 100					Cross talk (dB Min)		DCMR (dB Min)		
		1-100MHz	30MHz	40MHz	50MHz	60MHz	80MHz	0.3-60MHz	60-100MHz	30MHz	60MHz
TST1284R LF	-1.15	-16	-14	-13.5	-13	-12	-45	-35	-40	-30	-25

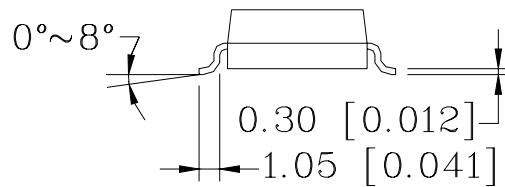
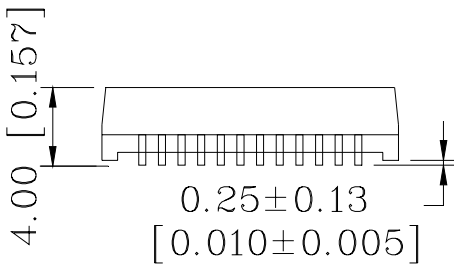
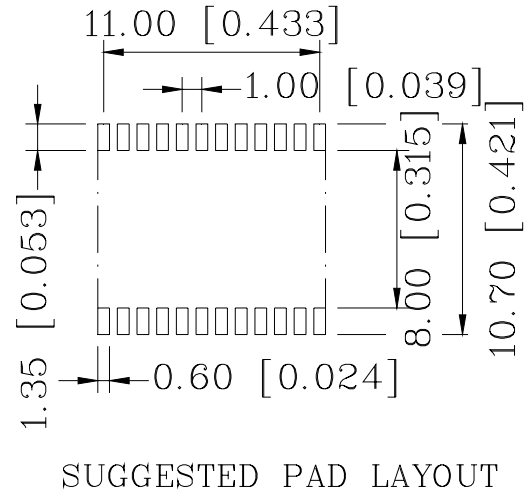
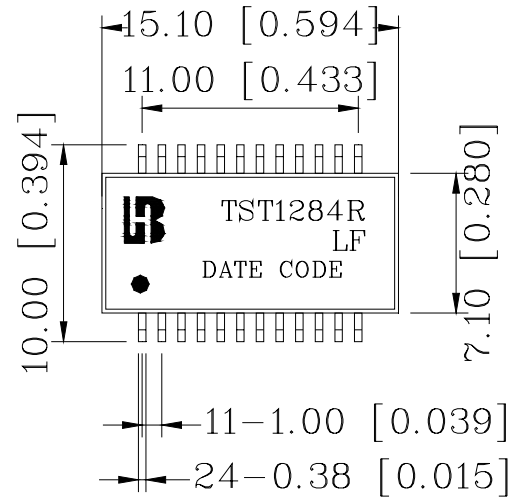
Schematic



10/100 BASE -T MAGNETICS MODULES

P/N: TST1284R LF DATA SHEET

Mechanical



Units: mm [Inches] Tolerances: xx.x0 ± 0.25 [0.010]
 0.xx ± 0.05 [0.002]