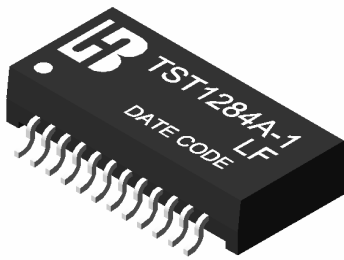


**10/100 BASE –T MAGNETICS MODULES**

**P/N: TST1284A-1 LF DATA SHEET**

**Feature**

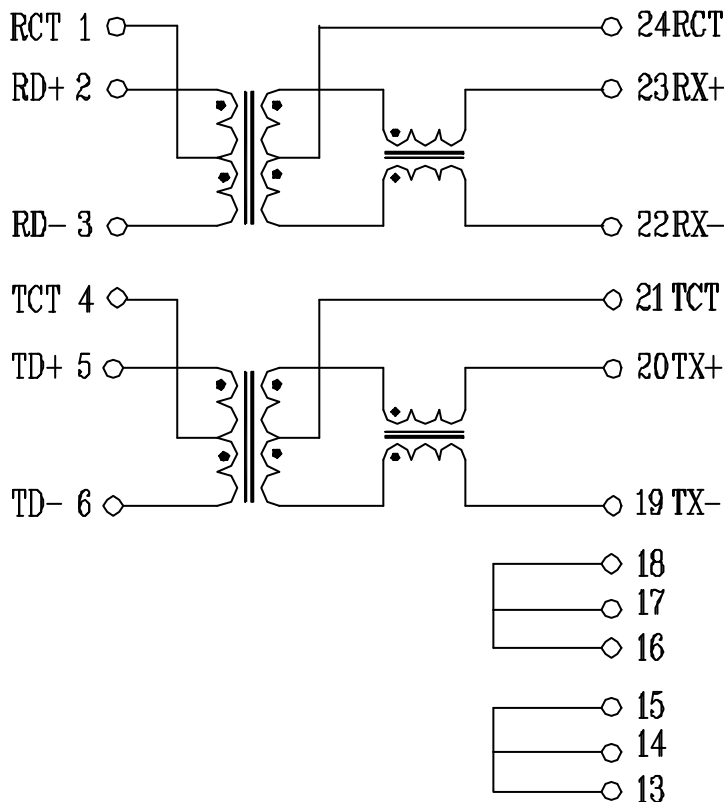


- Comply with RoHS requirements-whole part No Cd, No Hg, No Cr6+, No PBB and PBDE and No Pb on external pins.
- Operating temperature range: 0 to +70 .
- Storage temperature range: -25 to +125 .

Electrical Specifications @ 25°C					
Part Number	Turns Ratio (±5%)		OCL (uH Min) @100KHz/0.1V with 8mA DC Bias	DCR (O Max)	HI-POT (Vrms)
	TX	RX			
TST1284A-1 LF	1CT:1CT	1CT:1CT	350	2.0	1500

Continue											
Part Number	Insertion Loss (dB Max)	Return Loss (dB Min)@Load 100					Cross talk (dB Min)		DCMR (dB Min)		
		1-100MHz	30MHz	40MHz	50MHz	60MHz	80MHz	0.3-60MHz	60-100MHz	30MHz	60MHz
TST1284A-1 LF	-1.15	-16	-14	-13.5	-13	-12	-45	-35	-40	-30	-25

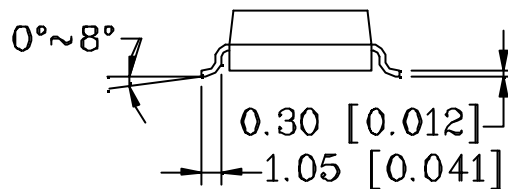
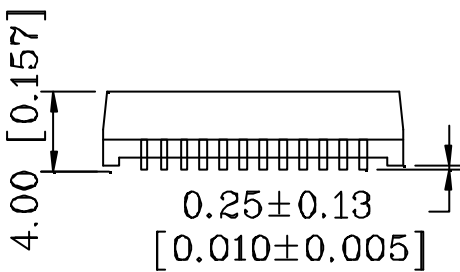
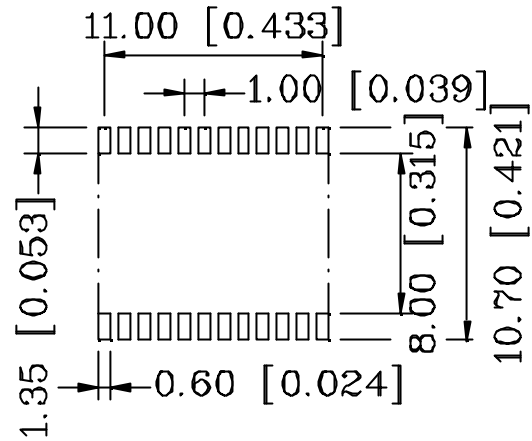
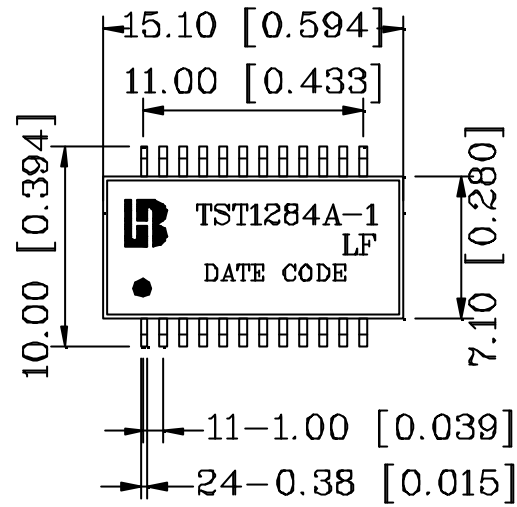
**Schematic**



10/100 BASE -T MAGNETICS MODULES

P/N: TST1284A-1 LF DATA SHEET

Mechanical



Units: mm[Inches] Tolerances: xx.x0±0.25[0.010]  
0.xx±0.05[0.002]