

- Comply with ROHS & Halogen Free requirements.
- Operating temperature range: 0 to +70 .
- Storage temperature range: -25 to +85 .



Electrical Specifications @ 25

Part Number	Return Loss (dB Min @ Load 100)					Cross talk (dB Min)		DCMR (dB Min)		
	30MHz	40MHz	50MHz	60MHz	80MHz	0.3-60MHz	60-100MHz	30MHz	60MHz	100MHz
TST1284 LF	-16	-14	-13.5	-13	-12	-45	-35	-40	-30	-25
TST1284A LF	-16	-14	-13.5	-13	-12	-45	-35	-40	-30	-25

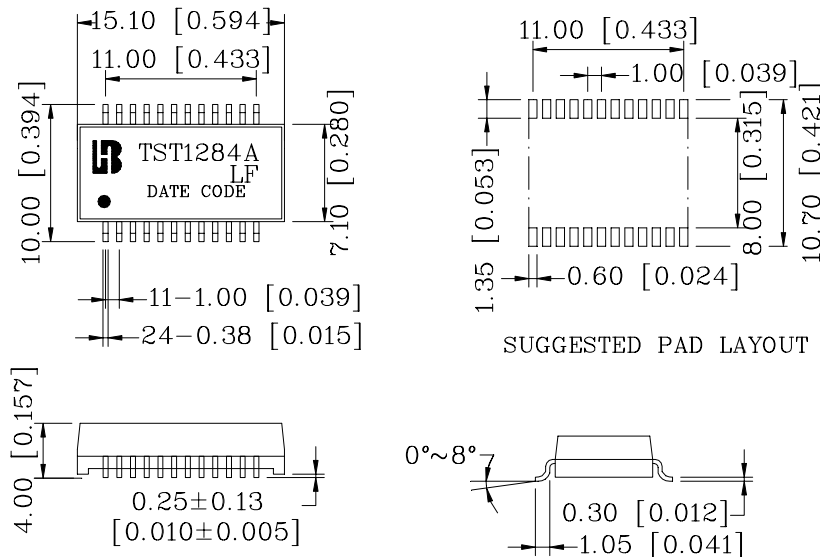
Continue

Part Number	Turns Ratio (±5%)		OCL(Uh Min) @100KHz/0.1V with 8Ma Bias	DCR (Ω Max)	L.L (Uh Max)	Insertion Loss (Db Max) 1-100MHz	Mesh	HI-POT
	TX	RX						
TST1284 LF	1CT:1CT	1CT:1CT	350	2.0	-	-1.15	24 PIN-A	1500
TST1284A LF	1CT:1CT	1CT:1CT	350	2.0	-	-1.15	24 PIN-A	1500

For customized parts or more detailed information, please log on www.bothhandi.gUcca or write to sales@bothhandi.gUcca

Mechanicals

24PIN-A LF

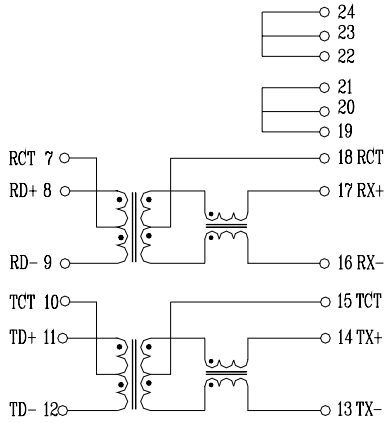


Units: mm[Inches] Tolerances: xx.x0±0.25[0.010]
0.xx±0.05[0.002]

Specification	Packing Manner	Q'ty per Tube/Reel	Q'ty/ Inner box	Q'ty/ Carton
24 PIN-A LF	REEL	780	1560	7800

Schematics

TST1284 LF



TST1284A LF

