

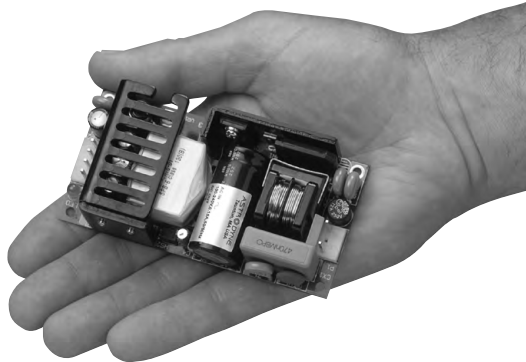


2"W x 4"L x 1.2"H

- 40W to 60W Output Power
- Universal 90-264VAC Input
- Single, Dual & Triple Outputs from 3.3 to 48VDC
- High Efficiency to 88%
- 3000V Isolation
- 1U Compatible Height



Model Number	Output Voltage	Output Amps	Efficiency %
40W SINGLE OUTPUT			
OFM40-033	3.3VDC	6	74
OFM40-050	5VDC	6	78
OFM40-090	9VDC	4.45	82
OFM40-120	12VDC	3.34	84
OFM40-150	15VDC	2.67	85
OFM40-240	24VDC	1.67	86
OFM40-300	30VDC	1.33	86
OFM40-360	36VDC	1.11	87
OFM40-480	48VDC	0.83	88
40W DUAL OUTPUT			
	V1/V2	I1/I2 (Min.-Max.)	
OFM40D-01	5 / 12VDC	0.4 - 3.2 / 0.2 - 2A	77
OFM40D-02	5 / 24VDC	0.4 - 3.2 / 0.2 - 1.2A	78
40W TRIPLE OUTPUT			
	V1/V2/V3	I1/I2/I3 (Min.-Max.)	
OFM40T-01	5/12/-5VDC	0.4 - 3/0.2 - 2/0 - 0.3A	75
OFM40T-02	5/12/-12VDC	0.4 - 3/0.2 - 2/0 - 0.3A	75
OFM40T-03	5/15/-15VDC	0.4 - 3/0.2 - 1.6/0 - 0.3A	75
OFM40T-04	5/24/-12VDC	0.4 - 3/0.2 - 1/0 - 0.3A	75
OFM40T-05	5/24/-5VDC	0.4 - 3/0.2 - 1/0 - 0.3A	75
OFM40T-06	5/24/12VDC	0.4 - 3/0.2 - 1/0 - 0.3A	75
OFM40T-07	3.3/5/-12VDC	0.4 - 5/0.2 - 2/0 - 0.3A	68



2"W x 4"L x 1.2"H

- 40W to 60W Output Power
- Universal 90-264VAC Input
- Single Outputs from 3.3 to 48VDC
- High Efficiency to 88%
- 3000V Isolation
- 1U Compatible Height



Model Number	Output Voltage	Output Amps	Efficiency %
60 WATT			
OFM60-033	3.3VDC	8	74
OFM60-050	5VDC	8	78
OFM60-090	9VDC	6.67	82
OFM60-120	12VDC	5	84
OFM60-150	15VDC	4	85
OFM60-240	24VDC	2.5	86
OFM60-300	30VDC	2	86
OFM60-360	36VDC	1.67	87
OFM60-480	48VDC	1.25	88

INPUT SPECIFICATIONS

Input Voltage Range	90-264 VAC
Frequency Range	47-63 Hz
Inrush Current, typ:	30A @ 100VAC Input *
	50A @ 200VAC Input *

OUTPUT SPECIFICATIONS

Voltage and Current	See Selection Chart
Load Regulation	(10-100% FL)
	Single Outputs +/-1%
	Dual/Triple Output +/-3%
Line Regulation	Singles +/- 0.5 max
Preset Accuracy	1%
DC Voltage Adjust (typ)	+/- 6% of FS (Primary)
Temperature Coefficient	+/-0.05%/°C
Ripple/Noise, 20Mhz BW	50mV Pk-Pk, typ
Over Voltage Protection	Clamp, 130-150% *
Short Circuit Protection	Continuous, self-recovering
Hold Up Time	8 mS, typ

GENERAL SPECIFICATIONS

Input-Out Isolation	I/P-O/P:3000VAC
Efficiency	74%~88%, typ
Switching Frequency	100Khz, (fixed, typical)
Safety	UL, TUV

PHYSICAL SPECIFICATIONS

Size	2" x 4" x 1.2"
	50.8 x 101.6 x 30.48mmConstruction
	Open Frame
Weight	7oz (198g)

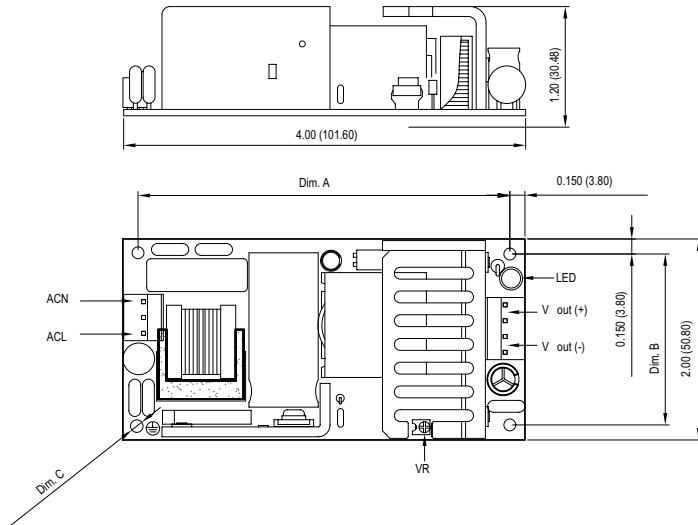
ENVIRONMENTAL SPECIFICATIONS

Oper. Temperature	0 to +50°C(FL)
Storage Temperature	-40 to +85°C *
Relative Humidity	0 to +95%, non-cond *
EMC	CISPR/FCC Class B
MTBF	300,000 Hrs
	Mil Std 217, 25C

All specifications are typical at nominal input, full load, and 25°C unless otherwise noted

* These are stress ratings. Exposure of the devices to any of these conditions may adversely affect long term reliability. Proper operation under conditions other than the standard operating conditions is neither warranted nor implied.

MECHANICAL DIMENSIONS



Note: Single/Dual Dimensional Differences

Dimensions	Singles	Dual/Triples
A	3.70 (94.00)	3.75 (95.3)
B	1.70 (43.2)	1.75 (44.5)
C	0.125 (3.17)	0.12 (3.0)

Single Output



Dual/Triple Output



Connector Mate Type

Single Output Versions:

Input: Molex 09-50-3031
Output: Molex 09-50-3041

Dual/Triple Output Versions:

Input: Molex 09-50-3031
Output: Molex 09-50-3061

OUTPUT DERATING CURVE

