

1.6"W x 2.11"L x 0.91"H

- Universal 90-264VAC Input
- High Efficiency
- Improved EMI Performance
- 4000VAC Input to Output Isolation
- Single, Dual and Triple Outputs
- Full Safety Approvals



Model Number	Output Voltage	Output Amps(max)
--------------	----------------	------------------

### SINGLE OUTPUT

EFM-5000/M	3.3 Volts	1.25A
EFM-5001/M	5 Volts	1A
EFM-5022/M	9 Volts	0.55A
EFM-5002/M	12 Volts	0.42A
EFM-5003/M	15 Volts	0.33A
EFM-5018/M	18 Volts	0.27A
EFM-5005/M	24 Volts	0.23A

### DUAL OUTPUT

EFM-5006/M	±12Volts	±0.21A
EFM-5007/M	±15Volts	±0.17A

### TRIPLE OUTPUT

EFM-5009/M	5±12Volts	0.53±0.1A
EFM-5011/M	5±15Volts	0.41±0.1A



**INPUT SPECIFICATIONS**

Input Voltage Range	90-264 VAC (100-240VAC nom.)
Frequency Range	47-63 Hz
Inrush Current, typ, cold start:	20A@115VAC, 40A@230VAC
Leakage Current	<0.3mA @ 264VAC, 50Hz

**OUTPUT SPECIFICATIONS**

Voltage and Current	See Selection Chart	
Load Regulation (20%-FL)	Singles: 1.5%, Duals: $\pm 3\%$ max.	
	Triple: 0.2% / $\pm 0.3\%$ max.	
	Duals $\pm 1\%$ , max.	
Line Regulation	Singles 1%, max.	
	Duals $\pm 1\%$ , max.	
	Triples: 0.6% / $\pm 0.2\%$ max.	
Cross Regulation, typ.	Duals $\pm 2\%$	
	Triples: N/A / $\pm 0.1\%$	
Preset Accuracy, typ.	Single/Duals: 1%	
	Triples: 1% / $\pm 5\%$	
DC Voltage Adjust (typ)	$\pm 6\%$ of FS (Primary)	
Temperature Coefficient	$\pm 0.03\%/^{\circ}\text{C}$	
Ripple/Noise	Single/Duals	100mV Pk-Pk, max.
	Triple	50mV / $\pm 75\text{mV}$ Pk-Pk, max.
	Over Voltage Protection	Clamp
Short Circuit Protection	Continuous, self-recovering	
Hold Up Time	30 mS, typ. at nom Input	
DC Output Power	5Watts, max	

**GENERAL SPECIFICATIONS**

Isolation	4KVAC Input/Output
Efficiency @ nom. Input	Single/Duals: 65%~72%, typ
	EFM-5009/M: 63%
	EFM-5011/M: 61%
Switching Frequency	100Khz, (fixed, typical)
Safety UL/cUL:	ANSI/AAMI ES60601-1 3rd ed.
	CSA C22.2 No. 60601-1 3rd ed.
	UL-EU: EN60601-1 3rd ed.
	CB: IEC60601-1 3rd ed.
	CE: EN60601-1-2
EMC	EN55011 Class B

**PHYSICAL SPECIFICATIONS**

Size	1.6" x 2.11" x 0.91"
Construction	Open Frame
Weight	1.4oz (40g) typ.

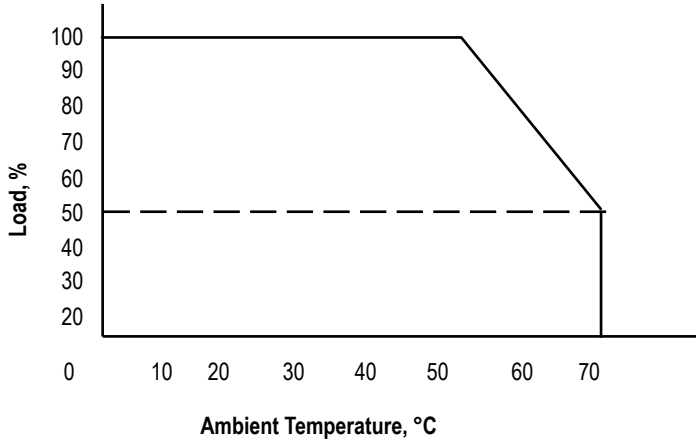
**ENVIRONMENTAL SPECIFICATIONS**

Oper. Temperature	0 to +50°C (See Derate)
Storage Temperature	-25 to +71°C *
Relative Humidity	0 to + 95%, non-cond *
MTBF (MIL-STD-217, 25°C)	270,000 Hrs, min.

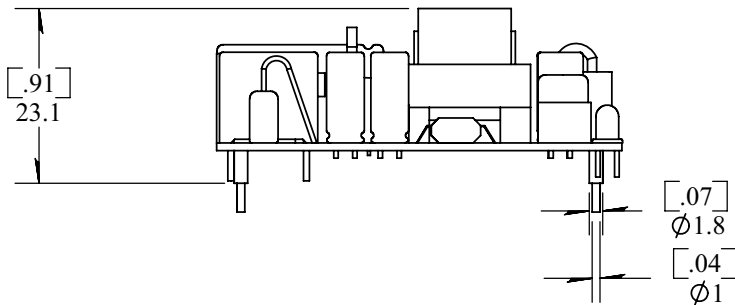
All specifications are typical at nominal input, full load, and 25°C unless otherwise noted

\* These are stress ratings. Exposure of the devices to any of these conditions may adversely affect long term reliability. Proper operation under conditions other than the standard operating conditions is neither warranted nor implied.

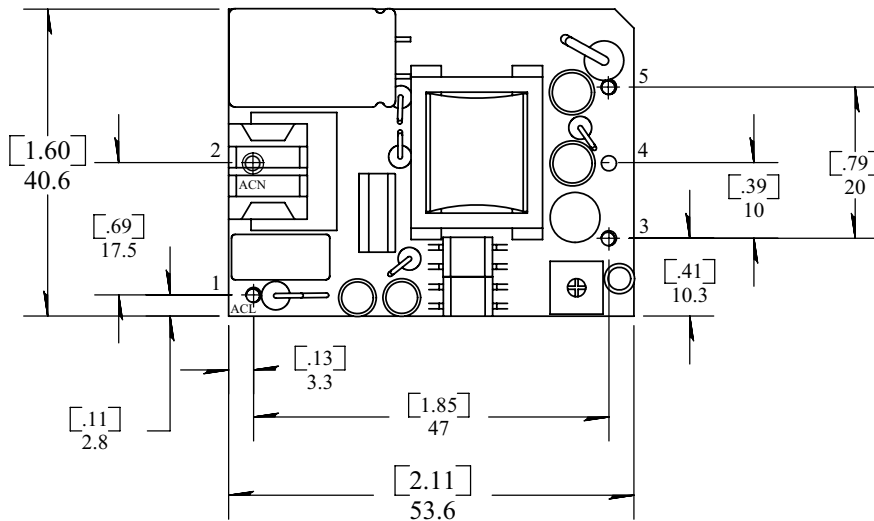
**OUTPUT DERATING CURVE**



**MECHANICAL DIMENSIONS - SINGLE + DUAL OUTPUTS**

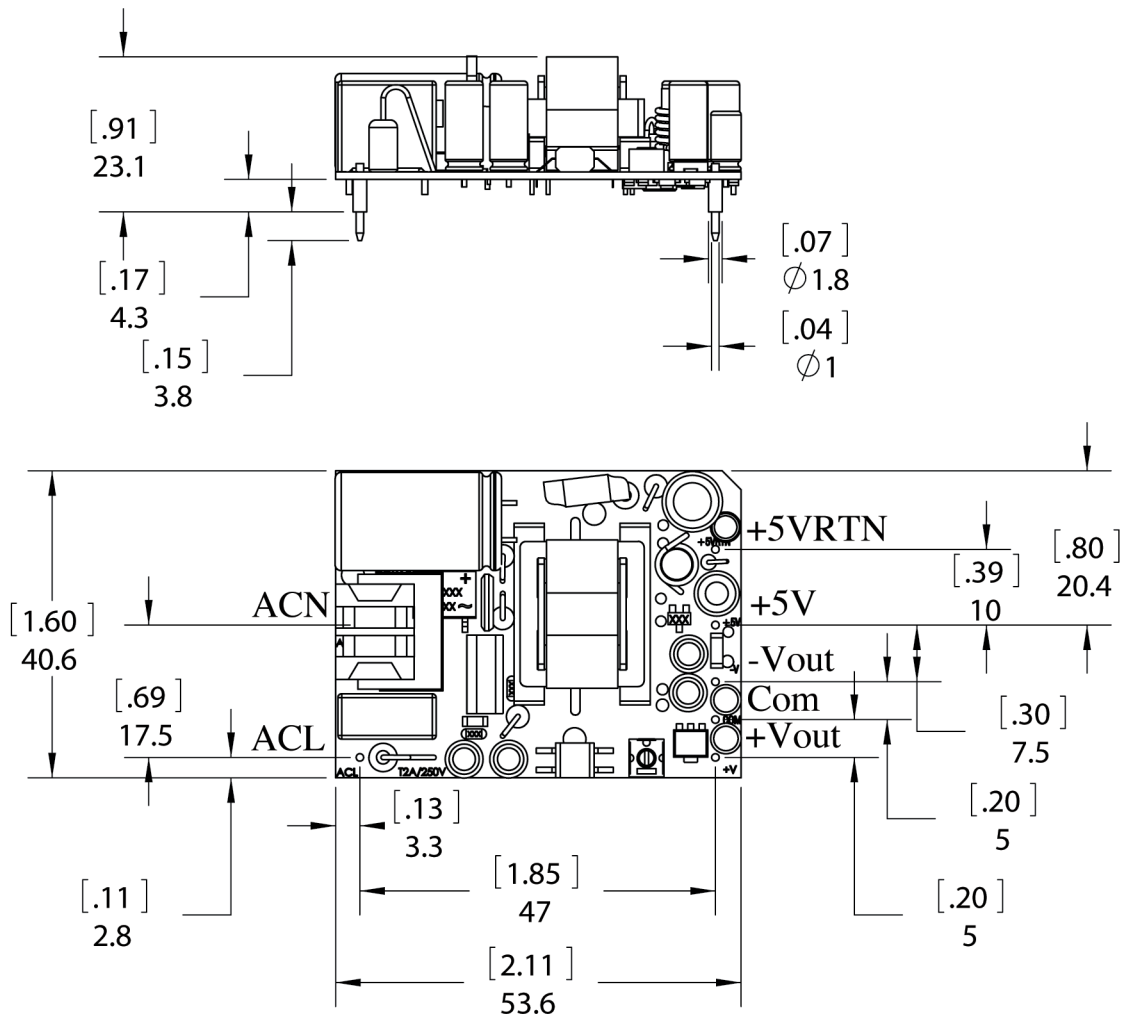


Pin#	Single Outputs	Dual Outputs
1	AC Line	AC Line
2	AC Neutral	AC Neutral
3	+Output	+Output
4	NC	Common
5	-Output	-Output



Dimensions are in mm [inches]

**MECHANICAL DIMENSIONS - TRIPLE OUTPUTS**



Dimensions are in mm [inches]