



**PARA LIGHT ELECTRONICS CO., LTD.**

4F, No.1, Lane 93, Chien Yi Road, Chung Ho City, Taipei, Taiwan, R.O.C.  
Tel: 886-2-2225-3733 Fax: 886-2-2225-4800  
E-mail: [para@para.com.tw](mailto:para@para.com.tw) <http://www.para.com.tw>

DATA SHEET

PART NO. : L-443ED

REV : A / 0

CUSTOMER'S APPROVAL : \_\_\_\_\_ DCC : \_\_\_\_\_

DRAWING NO. : DS-34-04-0193-1

DATE :2004-11-02

Page : 1

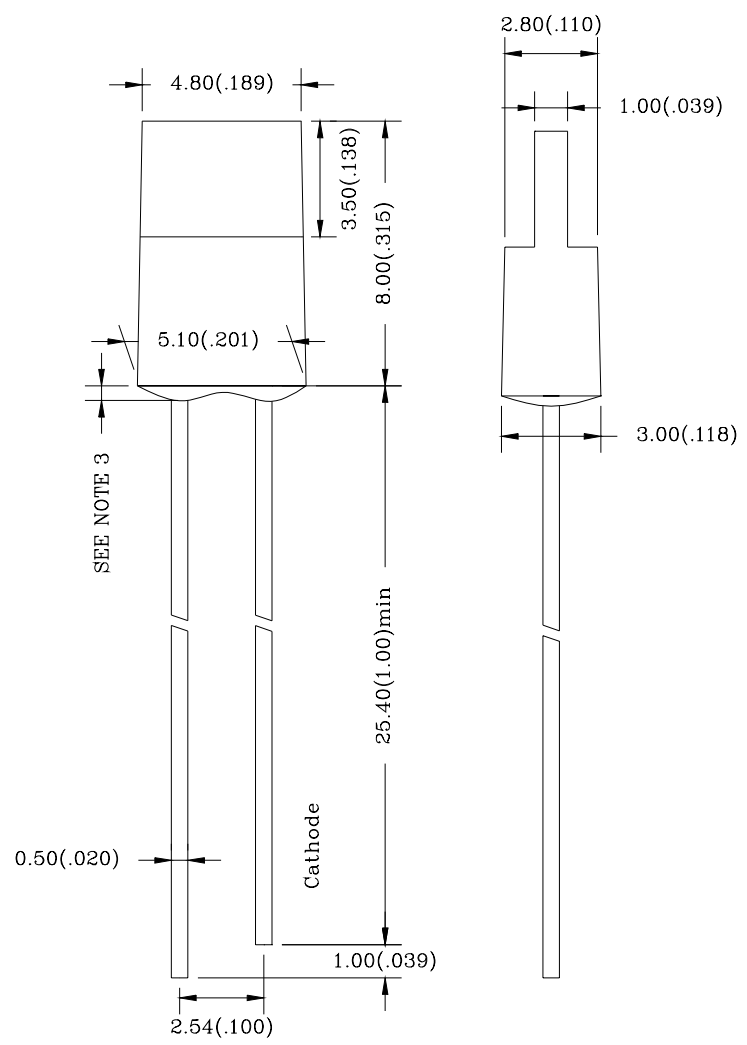


1.0\*5.0\*8.0 mm RECTANGULAR LED LAMP

L-443ED

REV:A / 0

PACKAGE DIMENSIONS



- Note:
- 1. All Dimensions are in millimeters.
  - 2. Tolerance is  $\pm 0.25\text{mm}$  (0.010 ") Unless otherwise specified.
  - 3. Protruded resin under flange is 1.5mm (0.059 ") max.
  - 4. Lead spacing is measured where the leads emerge from the package.
  - 5. Specification are subject to change without notice



1.0\*5.0\*8.0 mm RECTANGULAR LED LAMP

L-443ED

REV:A / 0

**FEATURES**

- \* 1.0\*5.0\*8.0 mm RECTANGULAR LED LAMP
- \* LOW POWER CONSUMPTION.
- \* I.C. COMPATIBLE.
- \* LONG LIFE SOLID STATE RELIABILITY

**CHIP MATERIALS**

- \* Dice Material : GaAsP/GaP
- \* Light Color :HI.EFFI RED
- \* Lens Color : RED DIFFUSED

**ABSOLUTE MAXIMUM RATING : ( Ta = 25°C )**

SYMBOL	PARAMETER	HI.EFFI RED	UNIT
PAD	Power Dissipation Per Chip	85	mW
VR	Reverse Voltage Per Chip	5	V
IAF	Continuous Forward Current Per Chip	30	mA
IPF	Peak Forward Current Per Chip (Duty – 0.1,1KHz)	60	mA
–	Derating Linear From 25°C Per Chip	0.40	mA/°C
Topr	Operating Temperature Range	-25°C to 85°C	
Tstg	Storage Temperature Range	-40°C to 85°C	
Lead Soldering Temperature { 1.6mm(0.063 inch) From Body } 260°C ± 5°C for 5 Seconds			

**ELECTRO-OPTICAL CHARACTERISTICS : ( Ta = 25°C )**

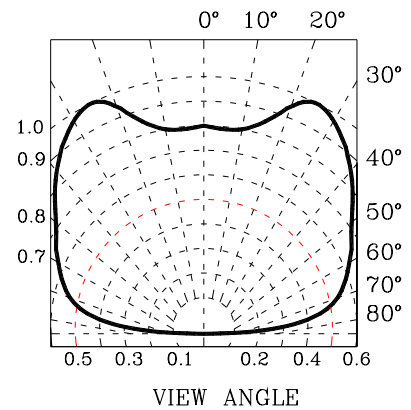
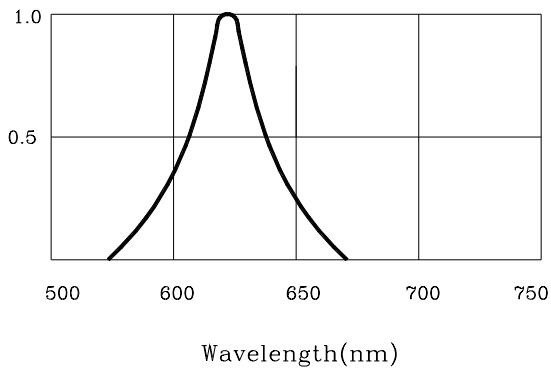
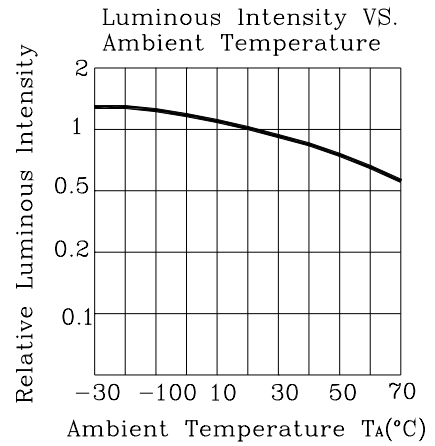
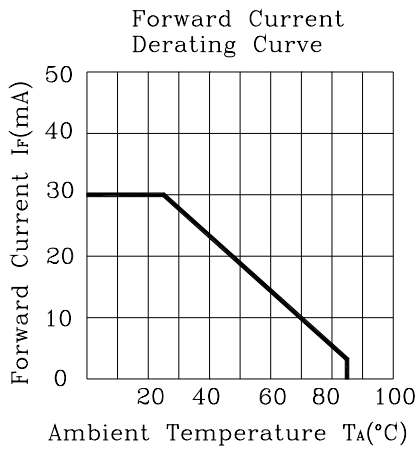
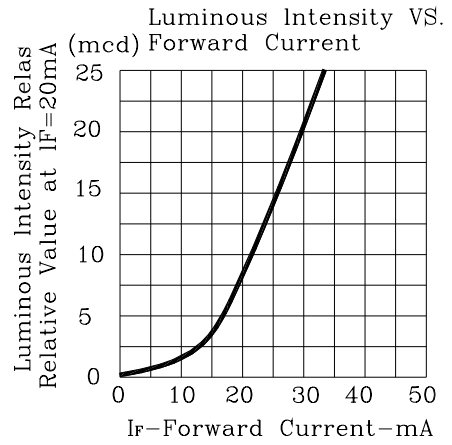
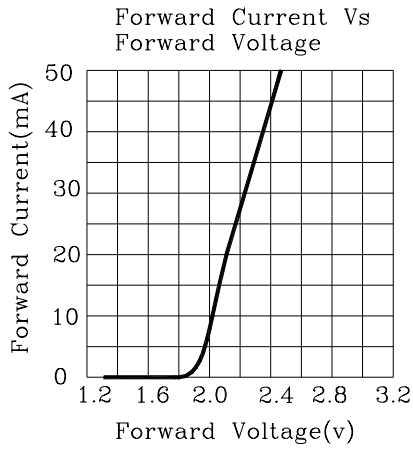
SYMBOL	PARAMETER	TEST CONDITION	MIN.	TYP.	MAX.	UNIT
VF	Forward Voltage	IF = 20mA		2.1	2.8	V
IR	Reverse Current	VR = 5V			100	µA
λD	Dominant Wavelength	IF = 20mA		622		nm
Δλ	Spectral Line Half-Width	IF = 20mA		35		nm
2θ1/2	Half Intensity Angle	IF = 20mA		150		deg
IV	Luminous Intensity	IF = 20mA	3	8	17	mcd



1.0\*5.0\*8.0 mm RECTANGULAR LED LAMP

L-443ED

REV:A / 0





1.0\*5.0\*8.0 mm RECTANGULAR LED LAMP

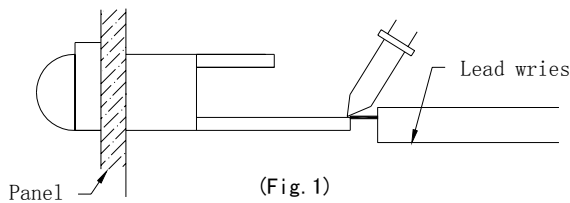
L-443ED

REV:A / 0

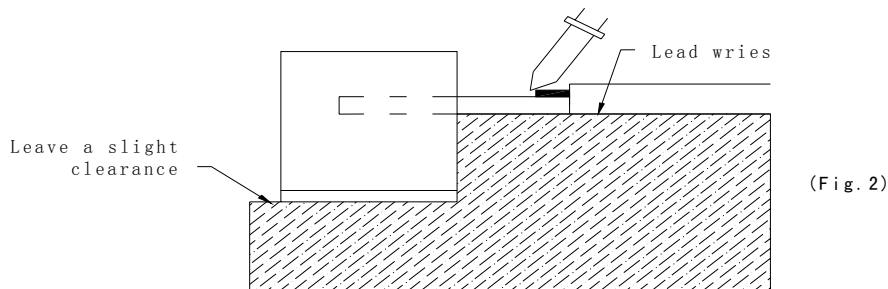
**•SOLDERING**

METHOD	SOLDERING CONDITIONS	REMARK
DIP SOLDERING	Bath temperature: 260±5°C Immersion time: with 5 sec	<ul style="list-style-type: none"> <li>Solder no closer than 3mm from the base of the package</li> <li>Using soldering flux," RESIN FLUX" is recommended.</li> </ul>
SOLDERING IRON	Soldering iron: 30W or smaller Temperature at tip of iron: 260°C or lower Soldering time: within 5 sec.	<ul style="list-style-type: none"> <li>During soldering, take care not to press the tip of iron against the lead.</li> </ul> (To prevent heat from being transferred directly to the lead, hold the lead with a pair of tweezers while soldering

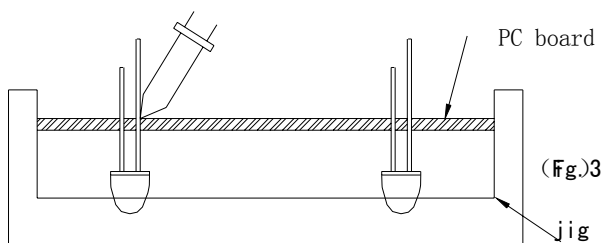
1) When soldering the lead of LED in a condition that the package is fixed with a panel (See Fig.1), be careful not to stress the leads with iron tip.



2) When soldering wire to the lead, work with a Fig (See Fig.2) to avoid stressing the package.



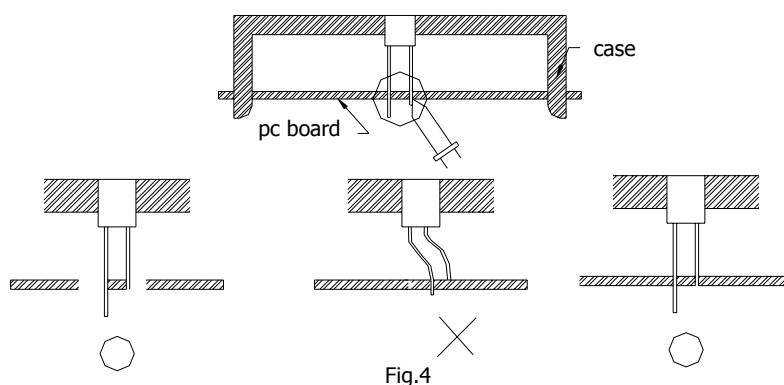
- 3) Similarly, when a jig is used to solder the LED to PC board, take care as much as possible to avoid steering the leads (See Fig.3).



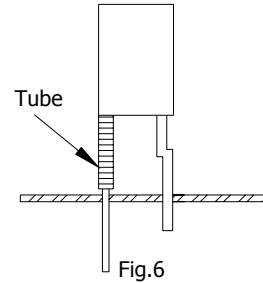
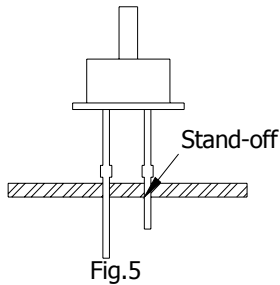
- 4) Repositioning after soldering should be avoided as much as possible. If inevitable, be sure to preserve the soldering conditions with irons stated above: select a best-suited method that assures the least stress to the LED.
- 5) Lead cutting after soldering should be performed only after the LED temperature has returned to normal temperature.

### •LED MOUNTING METHOD

- 1) When mounting the LED by using a case, as shown Fig.4, ensure that the mounting holds on the PC board match the pitch of the leads correctly-tolerance of dimensions of the respective components including the LED should be taken into account especially when designing the case, PC board, etc. to prevent pitch misalignment between the leads and board holes, the diameter of the board holes should be slightly larger than the size of the lead. Alternatively, the shape of the holes should be made oval. (See Fig.4)

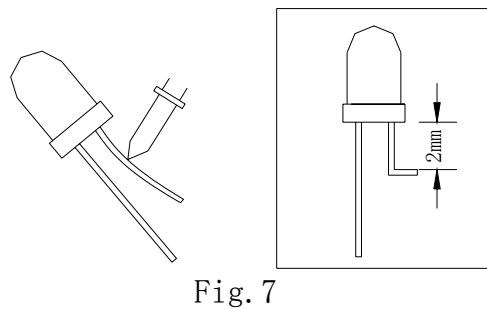


2) Use LEDs with stand-off (Fig.5) or the tube or spacer made of resin (Fig.6) to position the LEDs.

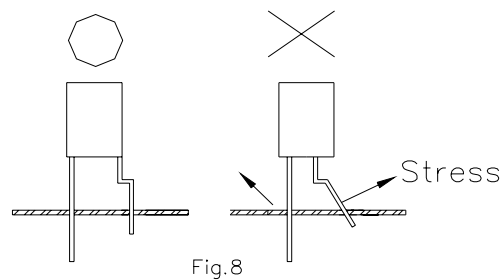


**•FORMED LEAD**

1) The lead should be bent at a point located at least 2mm away from the package. Bending should be performed with base fixed means of a jig or pliers (Fig.7)



2) Forming lead should be carried out prior to soldering and never during or after soldering.  
3) Form the lead to ensure alignment between the leads and the hole on board, so that stress against the LED is prevented. (Fig.8)





1.0\*5.0\*8.0 mm RECTANGULAR LED LAMP

L-443ED

REV:A / 0

**•LEAD STRENGTH**

1) Bend strength

Do not bend the lead more than twice. (Fig.9)

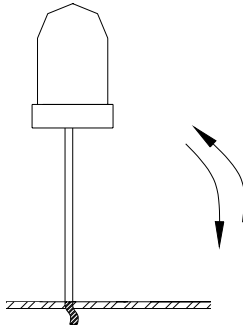


Fig.9

2) Tensile strength (@Room Temperature)

If the force is 1kg or less, there will be no problem. (Fig.10)

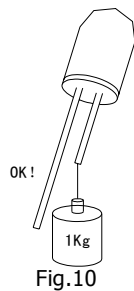


Fig.10

**•HANDLING PRECAUTIONS**

Although rigid against vibration, the LEDs may damaged or scratched if dropped. So take care when handling.

**•CHEMICAL RESISTANCE**

- 1) Avoid exposure to chemicals as it may attack the LED surface and cause discoloration.
- 2) When washing is required, refer to the following table for the proper chemical to be sued.  
(Immersion time: within 3 minutes at room temperature.)

SOLVENT	ADAPTABILITY
Freon TE	⊙
Chlorothene	×
Isopropyl Alcohol	⊙
Thinner	×
Acetone	×
Trichloroethylene	×

⊙--Usable    ×--Do not use.

NOTE: Influences of ultrasonic cleaning of the LED resin body differ depending on such factors as the oscillator output, size of the PC board and the way in which the LED is mounted. Therefore, ultrasonic cleaning should only be performed after confirming there is no problem by conducting a test under practical.



1.0\*5.0\*8.0 mm RECTANGULAR LED LAMP

L-443ED

REV:A / 0

**Experiment Item:**

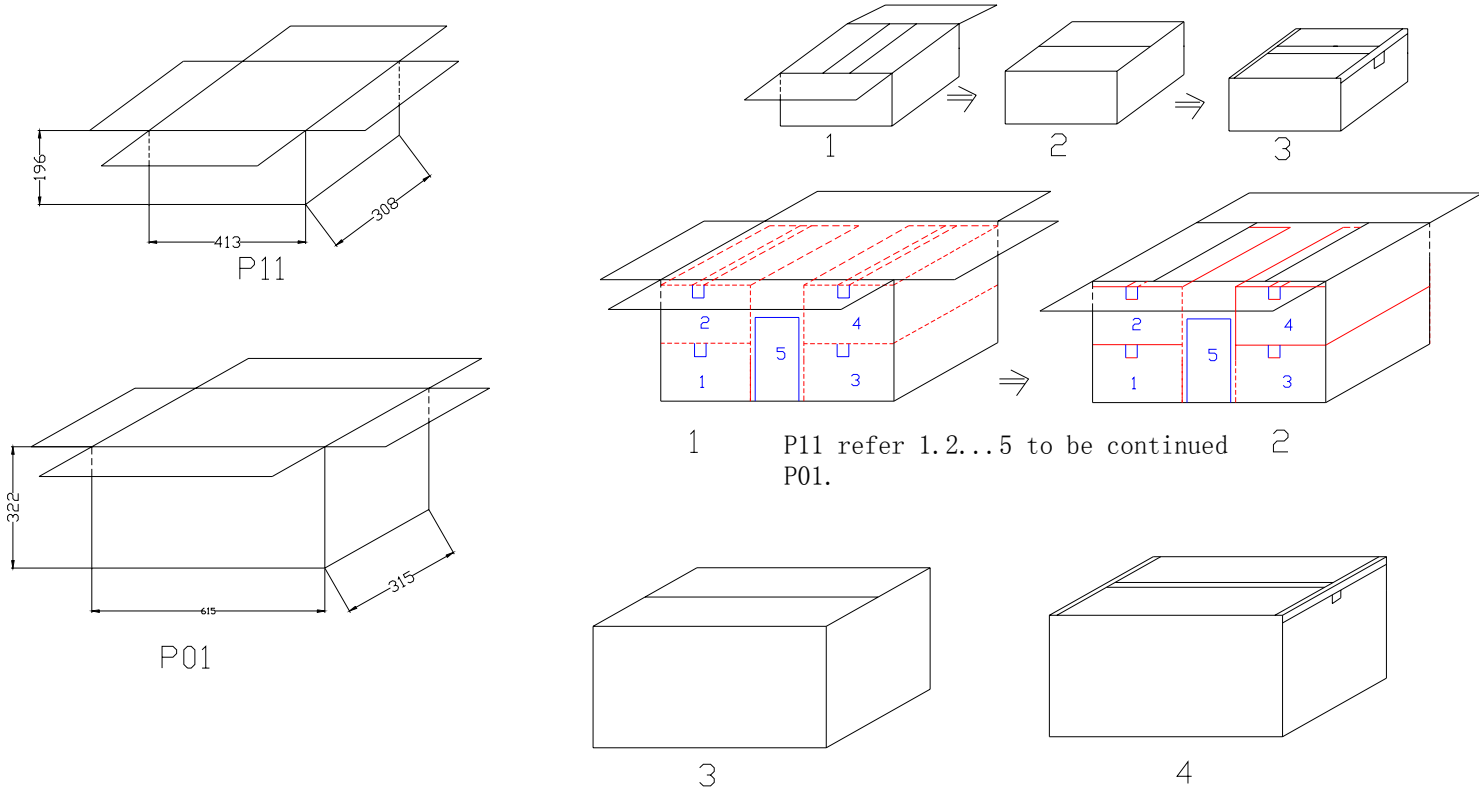
Item	Test Condition	Reference Standard
	Lamp & IR	
OPERATION LIFE	<p>Ta : 25±5°C                      IF= 20mA RH : ≤60%RH                      ① DYNAMIC:100mA 1ms 1/10 duty                      ② STATIC STATE: IF=20mA                      TEST TIME:                      168HRS (-24HRS , +24HRS )                      500HRS (-24HRS , +24HRS )                      1000HRS (-24HRS , +72HRS )</p>	<p>MIL-STD-750 : 1026                      MIL-STD-883 : 1005                      JIS C 7021 : B-1</p>
HIGH TEMPERATURE HIGH HUMIDITY STORAGE	<p>Ta : 65°C±5°C                      RH : 90~95%RH                      TEST TIME : 240HRS±2HRS</p>	<p>MIL-STD-202 : 103B                      JIS C 7021 : B-1</p>
TEMPERATURE CYCLING	<p>105°C ~ 25°C ~ -55°C ~ 25°C                      30min 5min 30min 5min                      10CYCLES</p>	<p>MIL-STD-202 : 107D                      MIL-STD-750 : 1051                      MIL-STD-883 : 1010                      JIS C 7021 : A-4</p>
THERMAL SHOCK	<p>105°C±5°C ~ -55°C±5°C                      10min 10min                      10CYCLES</p>	<p>MIL-STD-202 : 107D                      MIL-STD-750 : 1051                      MIL-SYD-883 : 1011</p>
SOLDER RESISTANCE	<p>T , sol : 260°C±5°C                      DWELL TIME : 10±1sec</p>	<p>MIL-STD-202 : 210A                      MIL-STD-750-2031                      JIS C 7021 : A-1</p>
SOLDERABILITY	<p>T , sol : 230°C±5°C                      DWELL TIME : 5±1sec</p>	<p>MIL-STD-202 : 208D                      MIL-STD-750 : 2026                      MIL-STD-883 : 2003                      JIS C 7021 : A-2</p>



1.0\*5.0\*8.0 mm RECTANGULAR LED LAMP

L-443ED

REV:A / 0



L-443ED package rule Note:

- 1、 P11 presents little package box ,12little bags in every P11,1000PCS in every bag.
- 2、 P01 presents big package box, five little P11 boxes in every P01,total 60KPCS in every P01.
- 3、 Specific package course refers to the attached graph.