



PARA LIGHT ELECTRONICS CO., LTD.
4F, No.1, Lane 93, Chien Yi Road, Chung Ho City, Taipei, Taiwan
Tel: 886-2-2225-3733 Fax: 886-2-2225-4800
E-mail: para@para.com.tw <http://www.para.com.tw>

DATA SHEET

PART NO. : L-C155KGKFCT

REV : A / 0

CUSTOMER'S APPROVAL : _____ DCC : _____

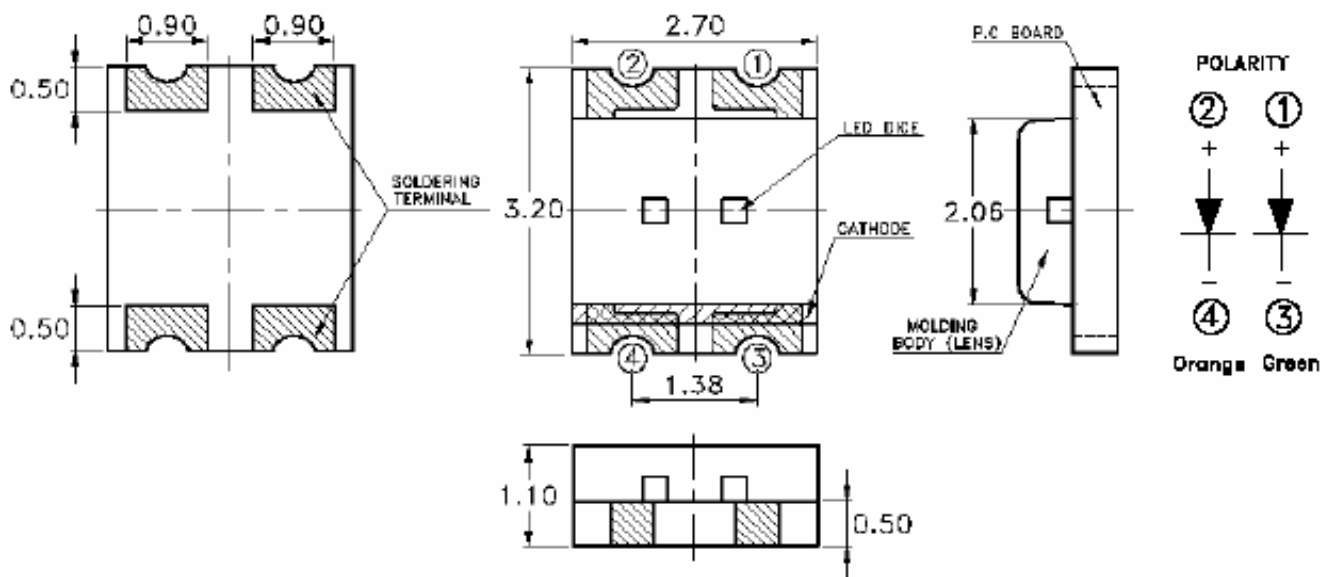


Dome Lens Chip LED

L-C155KGKFCT

REV:A / 0

PACKAGE DIMENSIONS



Note:

1. All Dimensions are in millimeters (inches)
2. Tolerance is $\pm 0.10\text{mm}$ (0.004 ") Unless otherwise specified.



Dome Lens Chip LED

L-C155KGKFCT

REV:A / 0

FEATURES

- * LOW POWER CONSUMPTION
- * I.C. COMPATIBLE
- * LONGLIFE SOLID STATE RELIABILITY

CHIP MATERIALS

- * Dice Material : AlInGaP / AlInGaP
- * Light Color : Green & Orange
- * Lens Color : WATER CLEAR

ABSOLUTE MAXIMUM RATING : (Ta = 25°C)

| SYMBOL | PARAMETER | Green | Orange | UNIT |
|--------|--|------------|--------|------|
| PD | Power Dissipation | 75 | 75 | mW |
| If | Forward Current | 30 | 30 | mA |
| Ifp | Peak pulsing current (1/10 duty cycle 0.1ms) | 80 | 80 | mA |
| VR | Reverse Voltage | 5 | | V |
| Topr | Operating Temperature Range | -55 ~ + 85 | | |
| Tstg | Storage Temperature Range | -55 ~ + 85 | | |

ELECTRO-OPTICAL CHARACTERISTICS : (Ta = 25°C)

| SYMBOL | PARAMETER | TEST CONDITION | VALUE | | | UNIT |
|--------|--------------------------|----------------|--------|------|------|------|
| | | | MIN. | TYP. | MAX. | |
| VF | Forward Voltage | IF = 20mA | Green | 2.0 | 2.4 | V |
| | | | Orange | 2.0 | 2.4 | |
| IR | Reverse Current | VR = 5V | Green | | 10 | μA |
| | | | Orange | | 10 | |
| Δλ | Spectral Line Half-Width | IF = 20mA | Green | 15 | | nm |
| | | | Orange | 17 | | |
| λp | Peak Emission Wavelength | IF = 20mA | Green | 574 | | nm |
| | | | Orange | 611 | | |
| λD | Dominant Wavelength | IF = 20mA | Green | 571 | | nm |
| | | | Orange | 605 | | |
| 2θ1/2 | Half Intensity Angle | IF = 20mA | | 130 | | deg |
| Iv | Luminous Intensity | IF = 20mA | Green | 18 | 35 | mcd |
| | | | Orange | 28 | 90 | |



Dome Lens Chip LED

L-C155KGKFCT

REV:A / 0

Typical Electro-Optical Characteristics Curves (25 Ambient Temperature Unless Otherwise Noted)

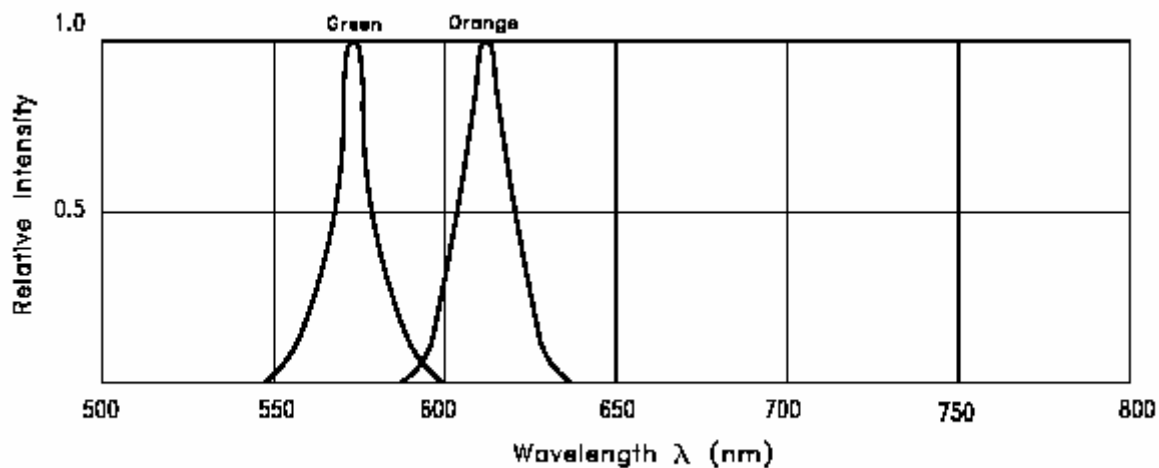


Fig.1 RELATIVE INTENSITY VS. WAVELENGTH

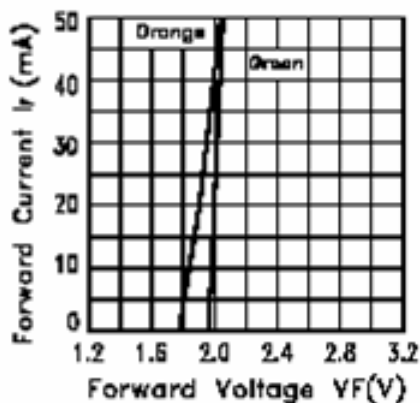


Fig.2 FORWARD CURRENT VS. FORWARD VOLTAGE

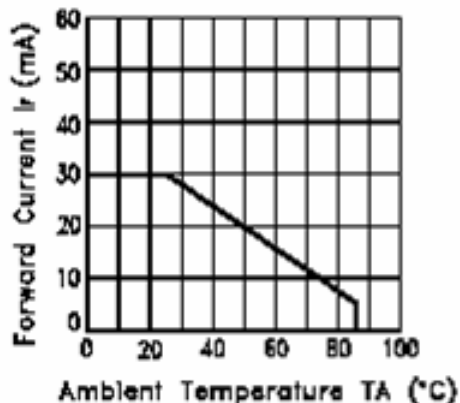


Fig.3 FORWARD CURRENT DERATING CURVE

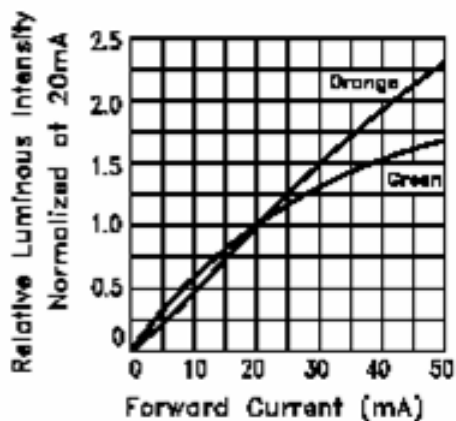


Fig.4 RELATIVE LUMINOUS INTENSITY VS. FORWARD CURRENT

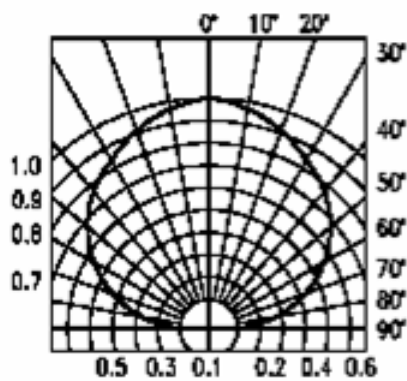


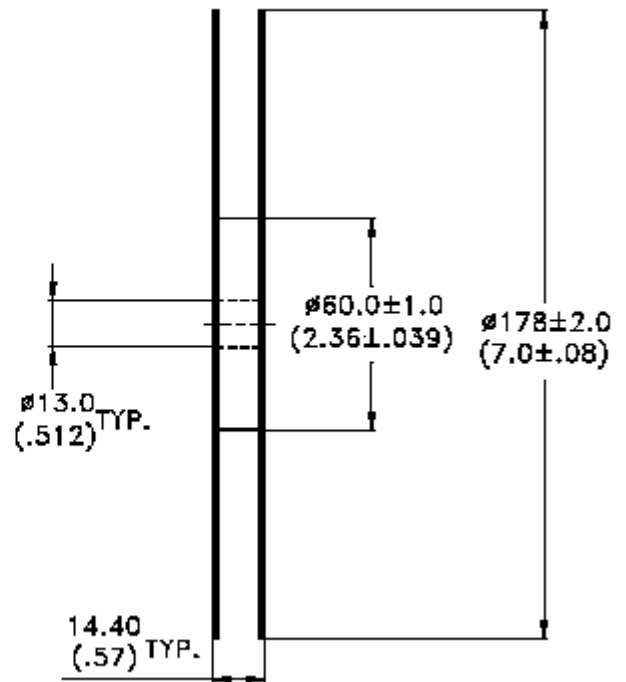
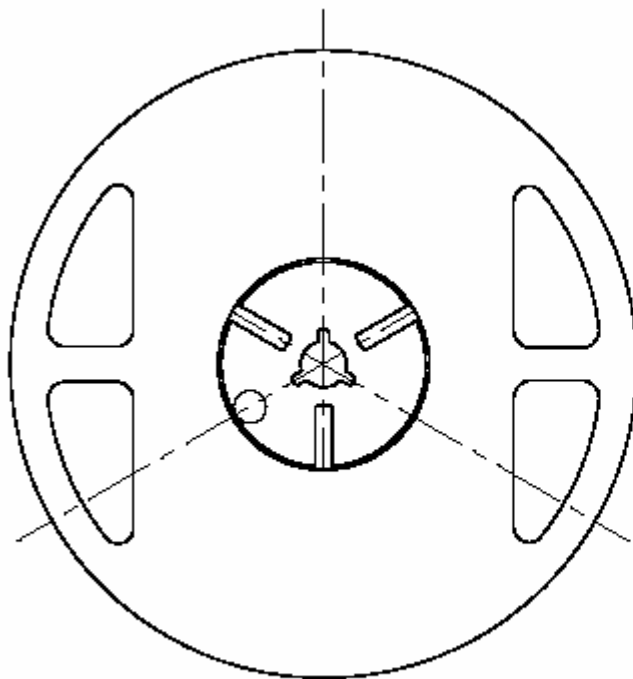
Fig.6 SPATIAL DISTRIBUTION



Dome Lens Chip LED

L-C155KGGKFCT

REV:A / 0



Notes:

1. Empty component pockets sealed with top cover tape.
2. 7 inch reel-3000 pieces per reel.
3. Minimum packing quantity is 500 pcs for remainders.
4. The maximum number of consecutive missing lamps is two.
5. In accordance with ANSI/EIA 481-1-A-1994 specifications.



Dome Lens Chip LED

L-C155KGKFCT

REV:A / 0

Bin Code List

| Luminous Intensity | | Color : <u>Green</u> , Unit : mcd @20mA | |
|--------------------|------|---|--|
| Bin Code | Min. | Max. | |
| M | 18.0 | 28.0 | |
| N | 28.0 | 45.0 | |
| P | 45.0 | 71.0 | |
| Q | 71.0 | 112.0 | |

Tolerance on each Intensity bin is +/-15%

| Luminous Intensity | | Color : <u>Orange</u> , Unit : mcd @20mA | |
|--------------------|-------|--|--|
| Bin Code | Min. | Max. | |
| N | 28.0 | 45.0 | |
| P | 45.0 | 71.0 | |
| Q | 71.0 | 112.0 | |
| R | 112.0 | 180.0 | |

Tolerance on each Intensity bin is +/-15%

| Dominant Wavelength | | Color : <u>Green</u> , Unit : mcd @20mA | |
|---------------------|-------|---|--|
| Bin Code | Min. | Max. | |
| C | 567.5 | 570.5 | |
| D | 570.5 | 573.5 | |
| E | 573.5 | 576.5 | |

Tolerance for each Dominate Wavelength bin is +/- 1nm