



PARA LIGHT ELECTRONICS CO.,LTD

Tel: 886-2-2225-3733
Mail: para@para.com.tw

Fax: 886-2-2225-4800
Website: <http://www.para.com.tw>

Data Sheet

Product Name: LED Light Tube

Model Number : T8 24D18W-NWO1-IP66

Version: A /0

Producer: Zhuang Wei **Auditing:** _____ **Approval:** _____

Doc. No. : DS-80-14-0003

Date : 2014/7/16

Page : 1



LED Light Tube

T8 24D18W-NWO1-IP66

Version: A /0

FEATURES:

- Extrude aluminum heat-sink with superior heat dissipating capability enables longer product life.
- No glare design.
- Using constant current driving circuit with power factor correction
- Using micro-chip shunt circuit driving technique to maximize efficacy
- IP66 design for indoor
- Semiconductor light-emitting principle of power-saving than traditional fluorescent lamps about 70%.
- Long life. More than 20,000 hours.
- Low radiated heat, RoHS compliant.

PURPOSE:

- Provide the standards for solid state lighting, including LED linear light, LED bulb, LED down light, LED panel light, LED Light Tube, etc.

APPLICATION:

- Wide range of applications, mainly for indoor, shopping malls, hotels, etc

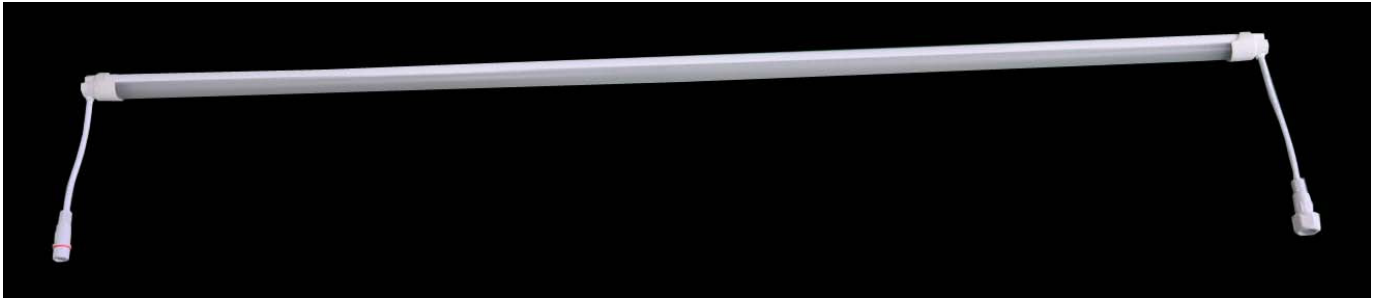
ENVIRONMENTAL CONDITION:

- The environmental condition as below:

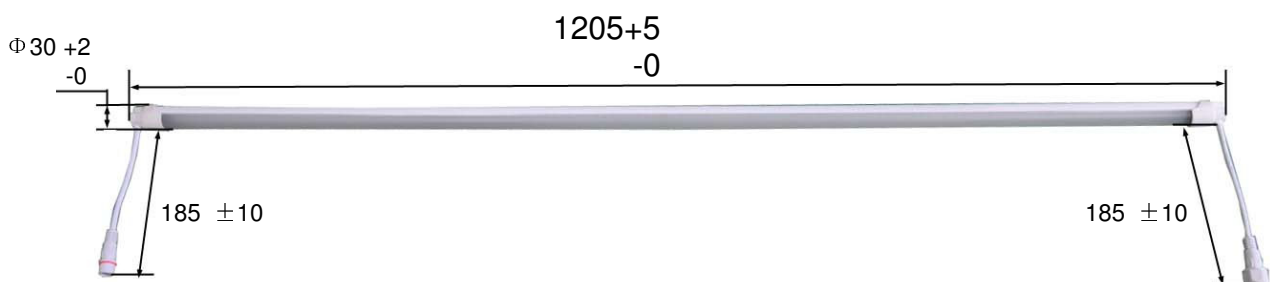
Item	Condition	Notes
Operation Temperature [°C]	-20 ~ 40	
Operation Humidity [%]	8 ~ 90	
Storage Temperature [°C]	-20 ~ 40	
Storage Humidity [%]	5 ~ 90	

PRODUCT SPECIFICATION:

- Photo:



- Outline dimensions:



- Note:

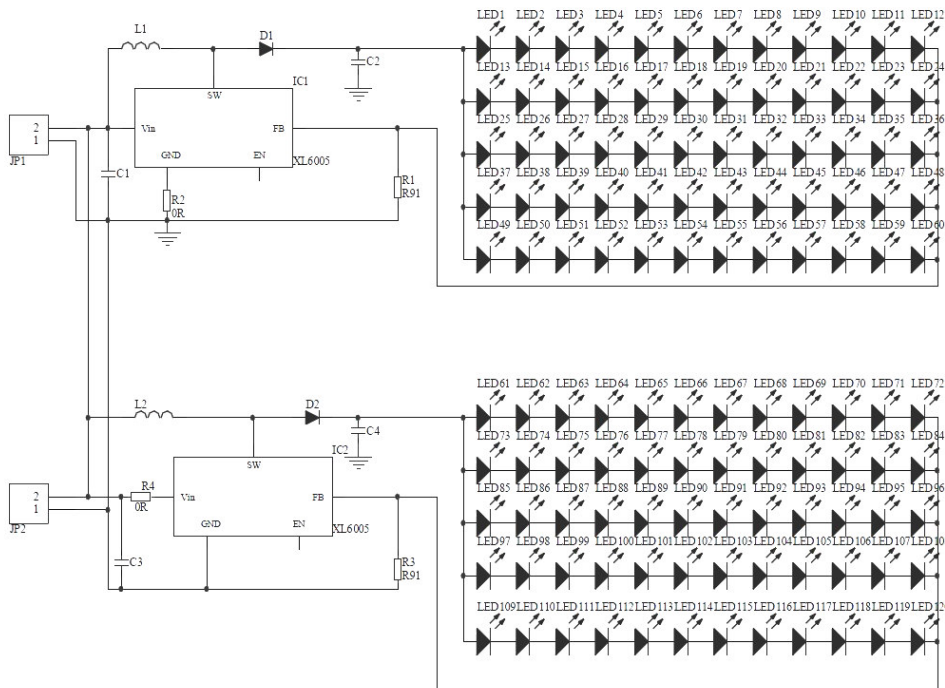
1.All dimension unit is millimeters

- Technical parameters:

Input Voltage Range	DC 24V \pm 5%
LED Type	5630
LED Quantity	120Pcs
IP Rate	IP66
Power Consumption	18W \pm 10%
Power Factor	>0.9
Luminous Flux	>1800lm
Color Temperature	4300K \pm 300K
Color Rendering Index	>80
Light Source Life Span	>20000 Hrs
Weight	0.41Kg

- LED light panel circuit

1. Circuit: 12series, 5parallels, 2pcs, 120ea white LED



- Optical Specification

1. Measurement Condition

1-1 Environmental Temperature: $25 \pm 2^{\circ}\text{C}$

1-2 Environmental Humidity: $50\% \pm 20\%$

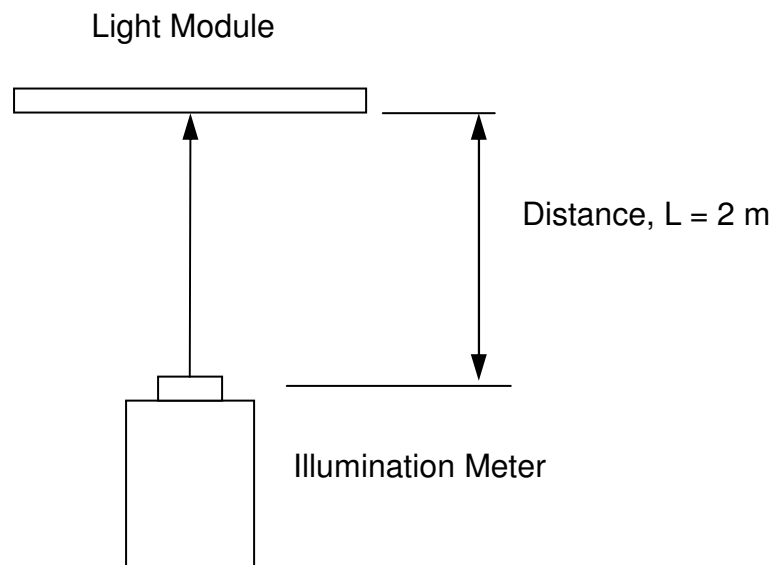
1-3 Environmental Luminance: Less than 10(lx) and windless (Typical)

2. Measurement Equipment

2-1 Illumination meter: GMS-2000

2-2 The PARA LIGHT inspection result is to be taken as the standard. Before approval, both PARA LIGHT and customer should inspect and correct the optical data measured by PARA LIGHT and customer,

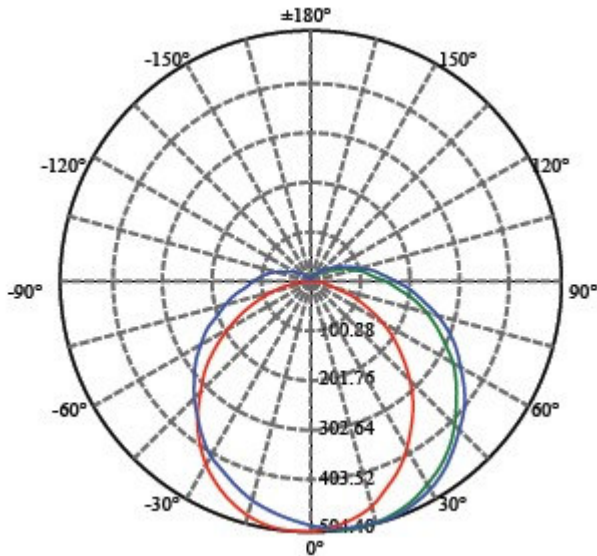
3. Measuring means



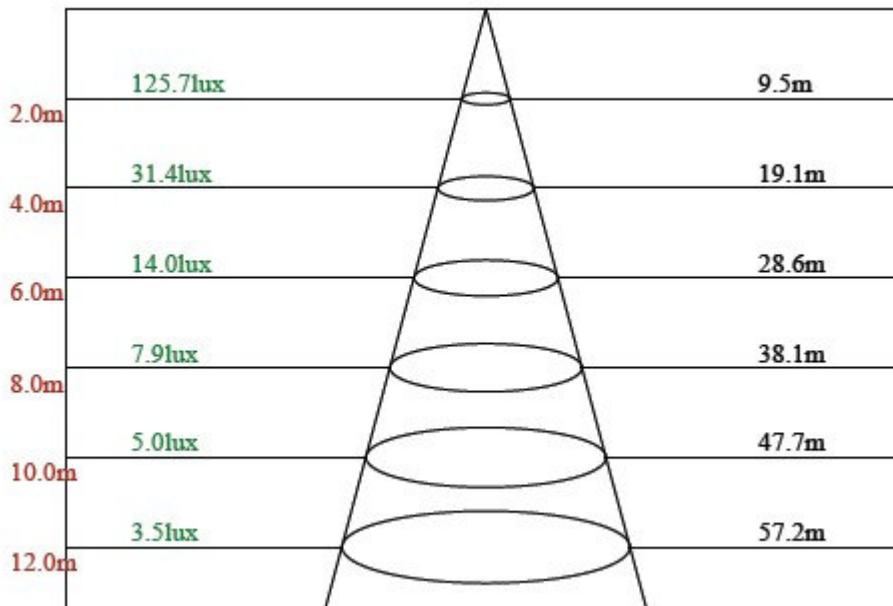
4. Luminance Specification

Model Name	T8 24D18W-NWO1-IP66					
Items	Position	Min	Typ	Max	Units	Notes
Illumination	Center	1800	-	-	Lumen	
CCT	Center	4000	4300	4600	K	

- Light intensity distribution (Unit: CD)



- Illumination at a distance



- Reliability Test Specification

No	Item	Condition	Time	Judgment
1	Normal temperature operation	Ta=25°C, power on	10,000h	A,B
2	High temperature operation	Ta=60°C , power on	1,000h	A,B
3	Low temperature operation	Ta=-40°C , power on	1,000h	A,B
4	High temperature and humidity	Ta=60°C , RH=90% ,power on	1,000h	A,B
5	Thermal shock	Ta=-40~85°C	1,000 cy	A,B
6	High temperature on/off cycle	Ta=60°C, power on/off	50times	C
7	Low temperature on/off cycle	Ta=-40°C, power on/off	50times	C
8	Power on/off test	Ta=25 °C, power on/off	30,000cy	C
9	High temperature storage	Ta=85 °C	1,000h	A,B
10	High temp and humidity storage	Ta=60 °C, RH=90%	1,000h	A,B
11	Low temperature storage	Ta=-40 °C	1,000h	A,B
12	Vibration test	Vibration frequency:10~45Hz Vibration testHz:45Hz Operation vibration test:3hrs Shock:3G(x,y), 4G(z)	3hrs	B,D
13	Waterproof test	IP66standard	30min	E,F
14	MTBF	Ta=45 °C, RH=85%	2,160h	G

1. Criteria:

- 1-1 A. Luminance must maintain more than 80% of the initial illumination intensity.
- 1-2 B. Apparent condition and structure have not abnormality.
- 1-3 C. There not being lighting abnormality at normal temperature.
- 1-4 D. There is no damage of the soldering point and defective lighting.
- 1-5 E. Ingress Protection code is more than 5.
- 1-6 F. There not decrease in performance by the water and the problem of the function.
- 1-7 G. Lifetime is more than 25,000 hours by lifetime prediction.

- Packing Flow

1. Put 5pcs LED Light Tube into EPE tray



2. Put 5pcs EPE tray with 25 pieces LED Light Tube into outer carton.

