



PARA LIGHT ELECTRONICS CO.,LTD

Tel: 886-2-2225-3733

Fax: 886-2-2225-4800

Mail: para@para.com.tw

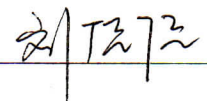
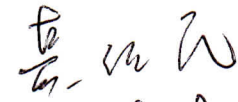
Website: http://www.para.com.tw

Data Sheet

Product Name :LED High Bay Light

Model Number : MILF200WCWC5

Version: A /0

Producer: Zhuang Wei Auditing:  Approval: 
2014-7-17



LED High Bay Light

MILF200WCWC5

Version: A /0

FEATURES:

- Aluminum die casting heat sink base with Natural convection heat dissipation
- Integrated CREE X Lamp LED and the LED High Bay Light has high power efficiency
- LED High Bay Light has instant on/off features and hasn't flicker effect
- Does not produce ultra violet (UV) light or IR
- All materials meet green product according to RoHS requirement
- Universal AC input /Full range, 100~277Vac / 50~60Hz
- Beam angle 60 °
- Short circuit / Over current / Over voltage / Over temperature protection
- The LED High Bay Light has low power consumption
- Good light distribution: no multi-shadow
- The LED High Bay Light has long operation life time and better than 2 years

PURPOSE:

- Provide the standards for solid state lighting, including LED linear light, LED bulb, LED down light, LED panel light, LED High Bay Light, etc.

APPLICATION:

- The main application is using on big area such as mine, building surface, stadium, bridge, monument, garden and so on.

ENVIRONMENTAL CONDITION:

- The environmental condition as below:

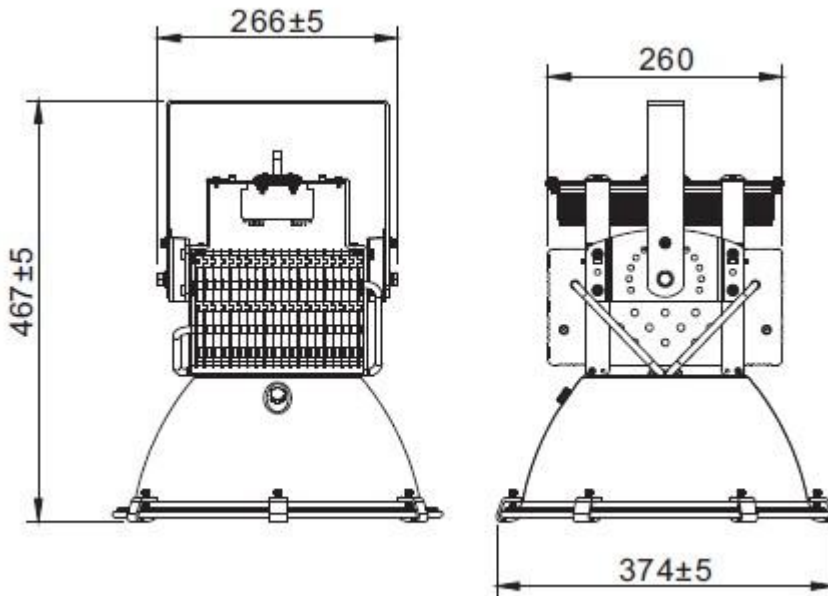
Item	Condition	Notes
Operation Temperature [°C]	-20 ~ 40	
Operation Humidity [%]	8 ~ 90	
Storage Temperature [°C]	-20 ~ 40	
Storage Humidity [%]	5 ~ 90	

PRODUCT SPECIFICATION:

- Photo:



- Outline dimensions:



- Note:

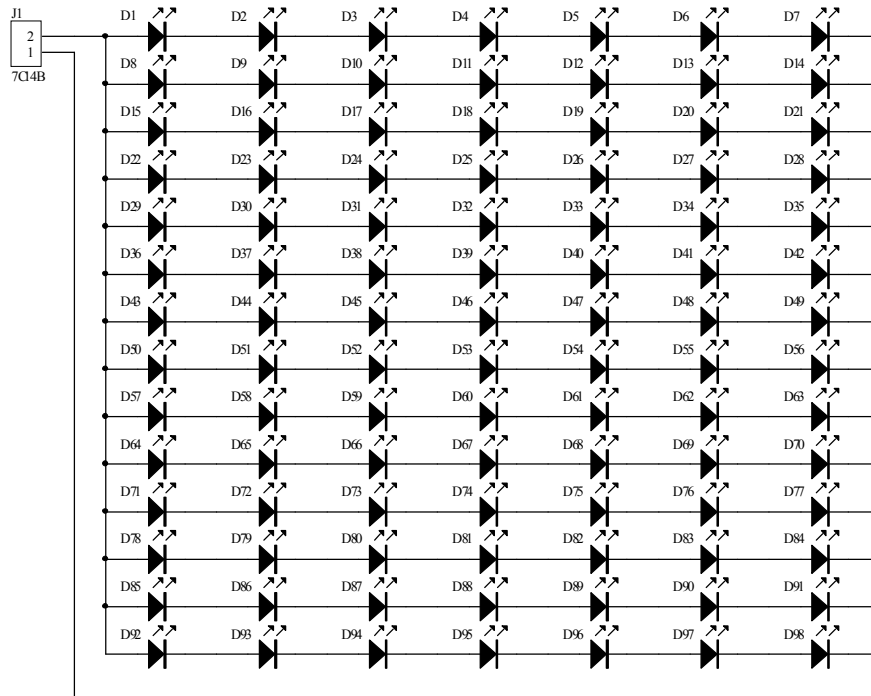
1. All dimension unit is millimeters
2. The tolerance is ± 5 mm unless otherwise noted

- Technical parameters:

Input Voltage Range	100~277Vac
Input Frequency	50/60 Hz
LED Type	Cree XTE
LED Quantity	98Pcs
Power Consumption	200 W±10%
Luminous Flux	>15000 lm
Color Temperature	6000K±500K
Power Factor	>0.9
Weight	6.5Kg
Light Source Life Span	2 years

- LED light panel circuit

1. Circuit: 7series, 14parallels, 98ea white LED



- Optical Specification

1. Measurement Condition

1-1 Environmental Temperature: $25 \pm 2^{\circ}\text{C}$

1-2 Environmental Humidity: $50\% \pm 20\%$

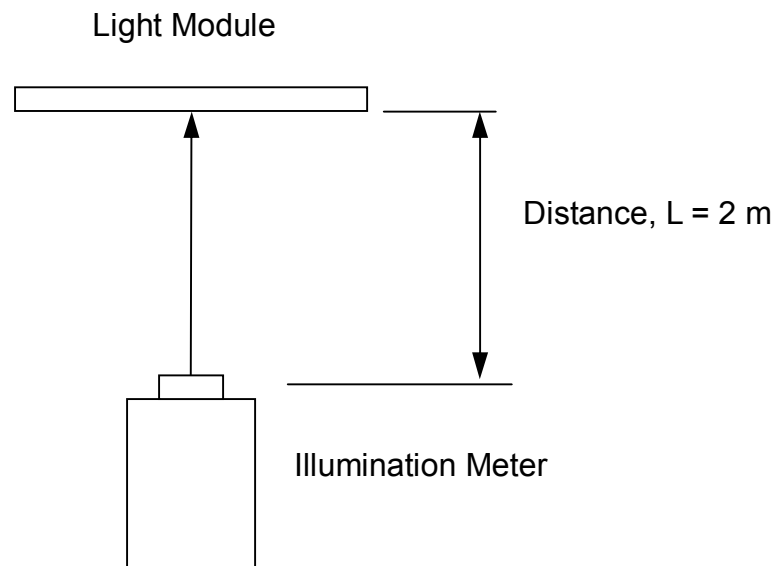
1-3 Environmental Luminance: Less than 10(lx) and windless (Typical)

2. Measurement Equipment

2-1 Illumination meter: GMS-2000

2-2 The PARA LIGHT inspection result is to be taken as the standard. Before approval, both PARA LIGHT and customer should inspect and correct the optical data measured by PARA LIGHT and customer,

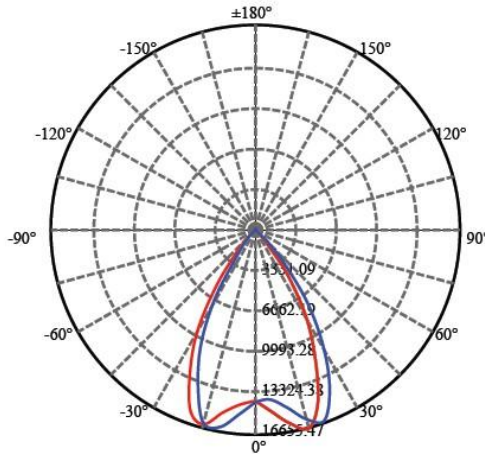
3. Measuring means



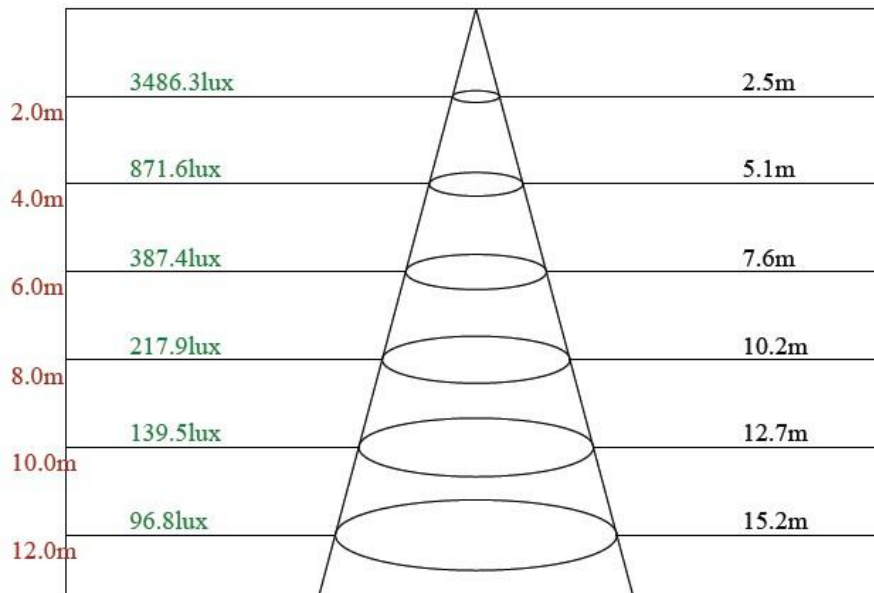
4. Luminance Specification

Model Name	MILF200WCWC5					
Items	Position	Min	Typ	Max	Units	Notes
Illumination	Center	15000	-	-	Lumen	
CCT	Center	5500	6000	6500	K	

- Light intensity distribution (Unit: CD):



- Illumination at a distance:



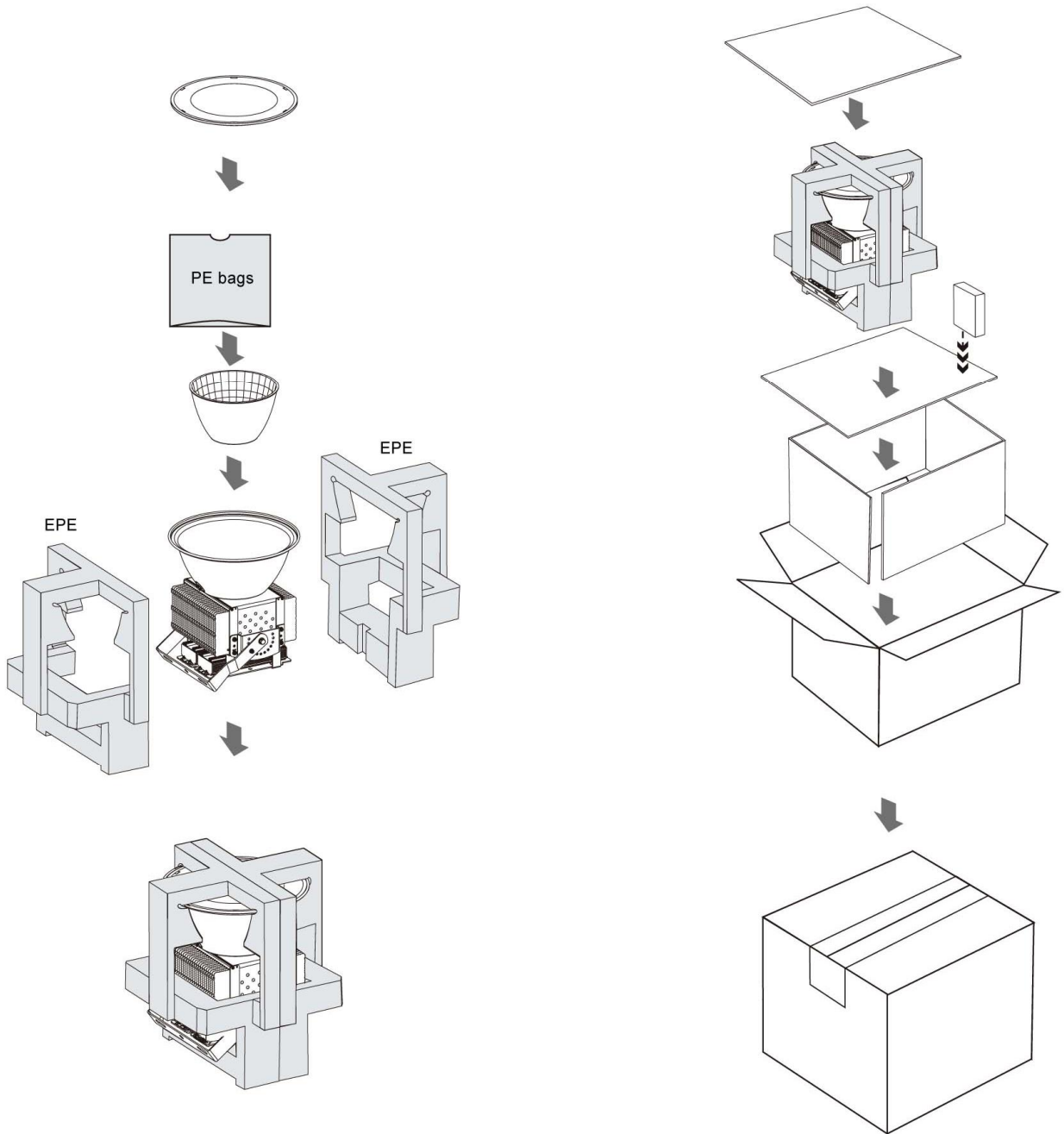
- Reliability Test Specification

No	Item	Condition	Time	Judgment
1	Normal temperature operation	Ta=25°C, power on	10,000h	A,B
2	High temperature operation	Ta=60°C , power on	1,000h	A,B
3	Low temperature operation	Ta=-40°C , power on	1,000h	A,B
4	High temperature and humidity	Ta=60°C , RH=90% ,power on	1,000h	A,B
5	Thermal shock	Ta=-40~85°C	1,000 cy	A,B
6	High temperature on/off cycle	Ta=60°C, power on/off	50times	C
7	Low temperature on/off cycle	Ta=-40°C, power on/off	50times	C
8	Power on/off test	Ta=25 °C, power on/off	30,000cy	C
9	High temperature storage	Ta=85 °C	1,000h	A,B
10	High temp and humidity storage	Ta=60 °C, RH=90%	1,000h	A,B
11	Low temperature storage	Ta=-40 °C	1,000h	A,B
12	Vibration test	Vibration frequency:10~45Hz Vibration testHz:45Hz Operation vibration test:3hrs Shock:3G(x,y), 4G(z)	3hrs	B,D
13	Waterproof test	/	/	/
14	MTBF	Ta=45 °C, RH=85%	2,160h	G

1. Criteria:

- 1-1 A. Luminance must maintain more than 80% of the initial illumination intensity.
- 1-2 B. Apparent condition and structure have not abnormality.
- 1-3 C. There not being lighting abnormality at normal temperature.
- 1-4 D. There is no damage of the soldering point and defective lighting.
- 1-5 E. Ingress Protection code is more than 5.
- 1-6 F. There not decrease in performance by the water and the problem of the function.
- 1-7 G. Lifetime is more than 25,000 hours by lifetime prediction.

- Packing Flow



carton size mm(inch) :
460(18.1")x460(18.1") x 545(21.5")
1box : 1pcs
Weight (Kg/Lb):8.5(18.7)