



PARA LIGHT ELECTRONICS CO.,LTD

Tel: 886-2-2225-3733
Mail: para@para.com.tw

Fax: 886-2-2225-4800
Website: http://www.para.com.tw

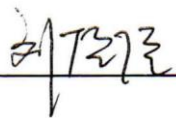
Data Sheet

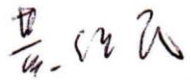
Product Name :LED High Bay Light

Model Number : MILF300WCWC5

Version: A /0

Producer: Zhuang Wei

Auditing: 

Approval: 

2014.9.1



LED High Bay Light

MILF300WCWC5

Version: A / 0

FEATURES:

- Aluminum die casting heat sink base with Natural convection heat dissipation
- Integrated CREE X Lamp LED and the LED High Bay Light has high power efficiency
- LED High Bay Light has instant on/off features and hasn't flicker effect
- Does not produce ultra violet (UV) light or IR
- All materials meet green product according to RoHS requirement
- Universal AC input / Full range, 100~277Vac / 50~60Hz
- The viewing angle is 25°
- Short circuit / Over current / Over voltage / Over temperature protection
- The LED High Bay Light has low power consumption
- IP31 design for indoor
- Good light distribution: no multi-shadow
- The LED High Bay Light has long operation life time and better than 2 years

PURPOSE:

- Provide the standards for solid state lighting, including LED linear light, LED bulb, LED down light, LED panel light, LED High Bay Light, etc.

APPLICATION:

- The main application is using on big area such as mine, building surface, stadium, bridge, monument, garden and so on.

ENVIRONMENTAL CONDITION:

- The environmental condition as below:

Item	Condition	Notes
Operation Temperature [°C]	-20 ~ 40	
Operation Humidity [%]	8 ~ 90	
Storage Temperature [°C]	-20 ~ 40	
Storage Humidity [%]	5 ~ 90	



LED High Bay Light

MILF300WCWC5

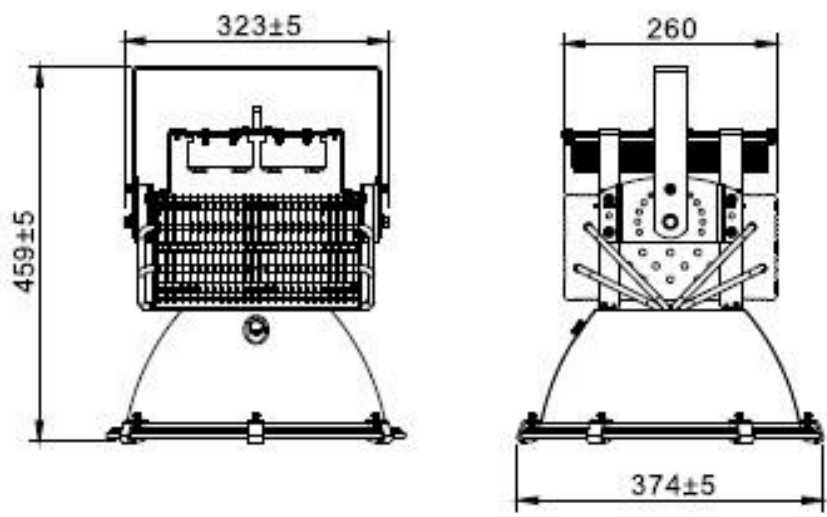
Version: A / 0

PRODUCT SPECIFICATION:

- Photo:



- Outline dimensions:



- Note:

- 1. All dimension unit is millimeters
- 2. The tolerance is ± 5 mm unless otherwise noted



LED High Bay Light

MILF300WCWC5

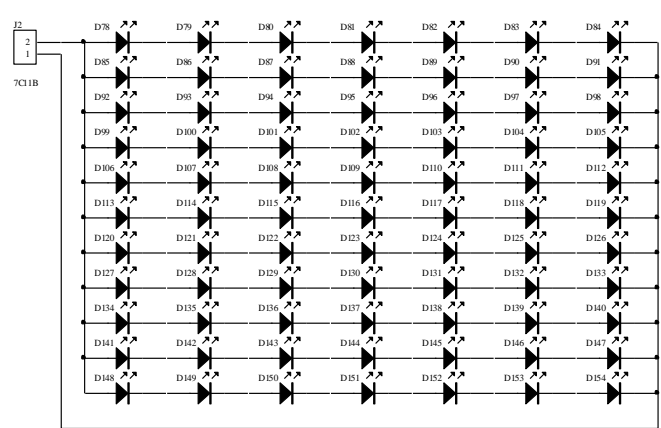
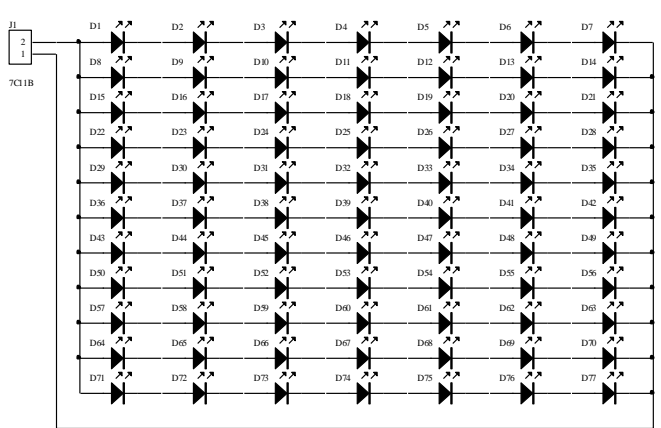
Version: A /0

- Technical parameters:

Input Voltage Range	100~277Vac
Input Frequency	50/60 Hz
LED Type	Cree XTE
LED Quantity	154Pcs
Power Consumption	300 W±10%
Luminous Flux	>23000 lm
Color Temperature	6000K±500K
Power Factor	>0.9
Weight	7.5Kg
Light Source Life Span	2 years

- LED light panel circuit

1. Circuit: 7series, 11parallels, 2pcs , 154ea white LED



- Optical Specification

1. Measurement Condition

1-1 Environmental Temperature: $25 \pm 2^{\circ}\text{C}$

1-2 Environmental Humidity: $50\% \pm 20\%$

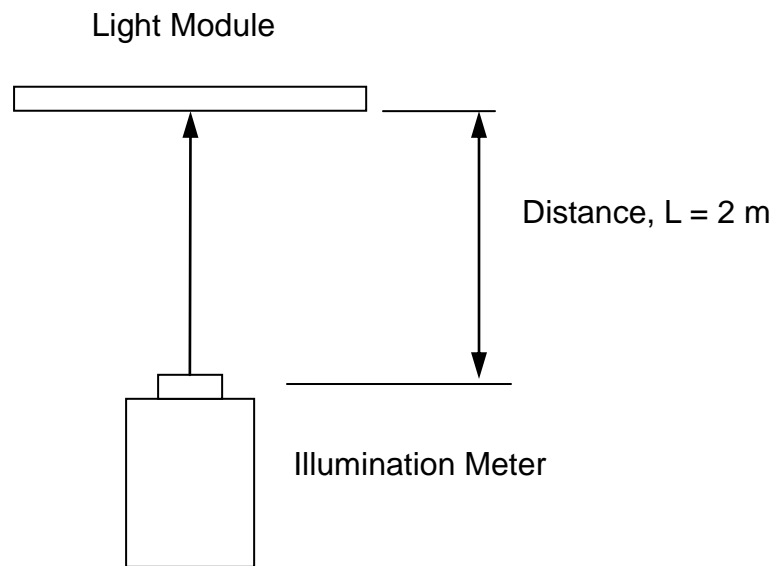
1-3 Environmental Luminance: Less than 10(lx) and windless (Typical)

2. Measurement Equipment

2-1 Illumination meter: GMS-2000

2-2 The PARA LIGHT inspection result is to be taken as the standard. Before approval, both PARA LIGHT and customer should inspect and correct the optical data measured by PARA LIGHT and customer,

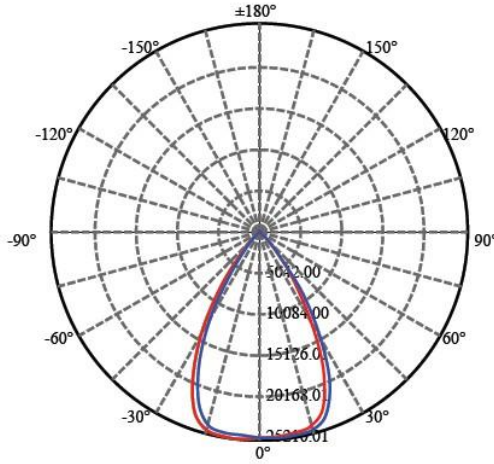
3. Measuring means



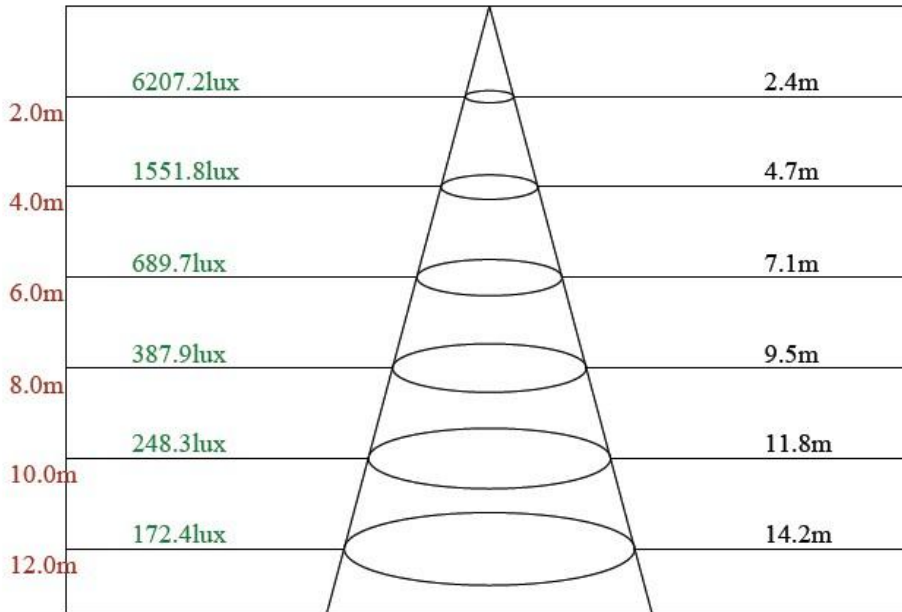
4. Luminance Specification

Model Name	MILF300WCWC5					
Items	Position	Min	Typ	Max	Units	Notes
Illumination	Center	23000	-	-	Lumen	
CCT	Center	5500	6000	6500	K	

- Light intensity distribution (Unit: CD):



- Illumination at a distance:



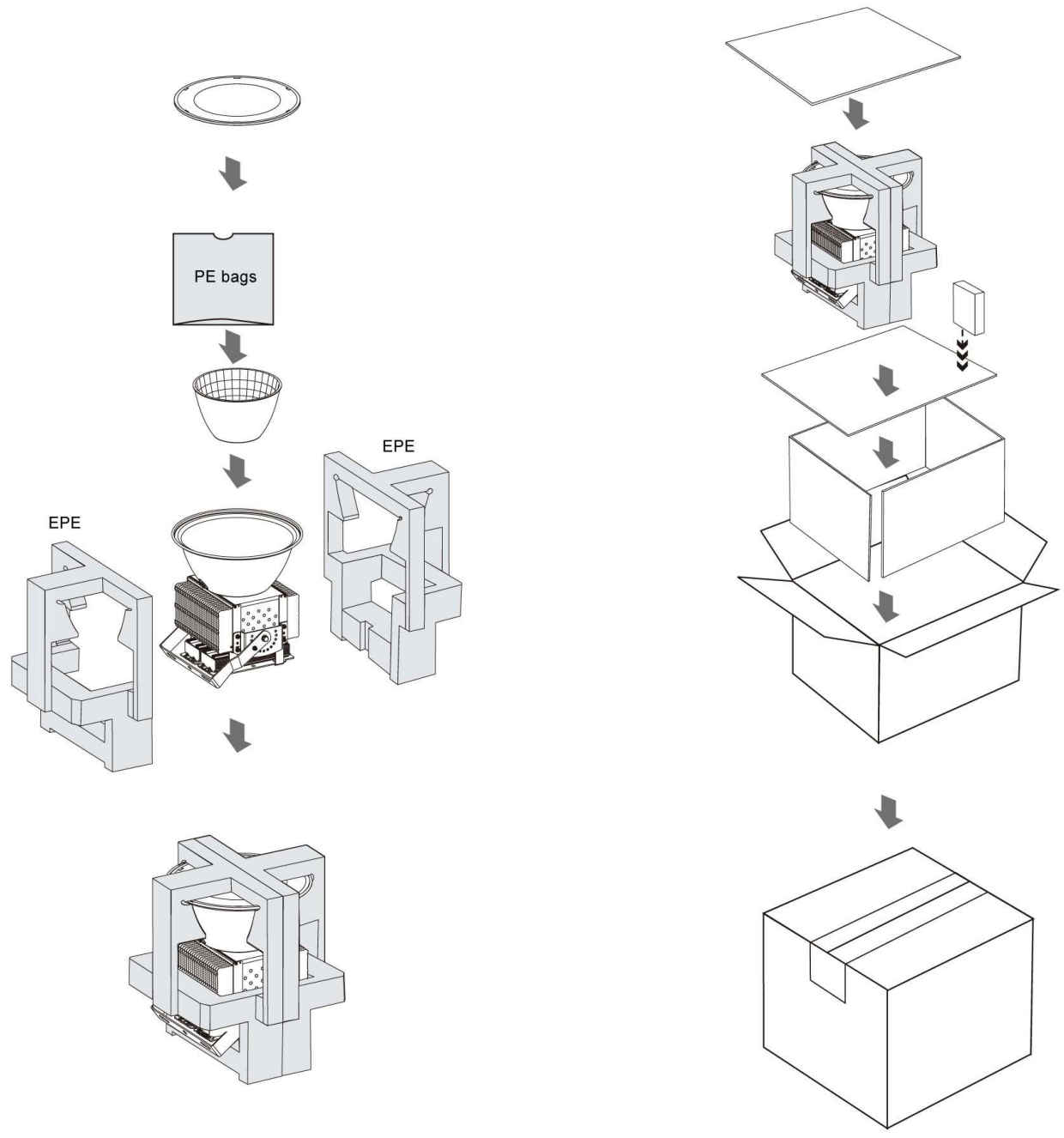


LED High Bay Light

MILF300WCWC5

Version: A/0

- Packing Flow



carton size mm(inch) :
460(18.1")x460(18.1") x 545(21.5")
1box : 1pcs
Weight (Kg/Lb):9.5(20.9)