



PARA LIGHT ELECTRONICS CO., LTD

Tel: 886-2-2225-3733

Fax: 886-2-2225-4800

Mail:para@para.com.tw

Website:http://www.para.com.tw

185W Flood Light Product Data Sheet

Model Number :
PARA-SPL-185WDF-YFA-CW
Rev.: A / 0

Producer: Zhuang Wei

Auditing: *Steven*

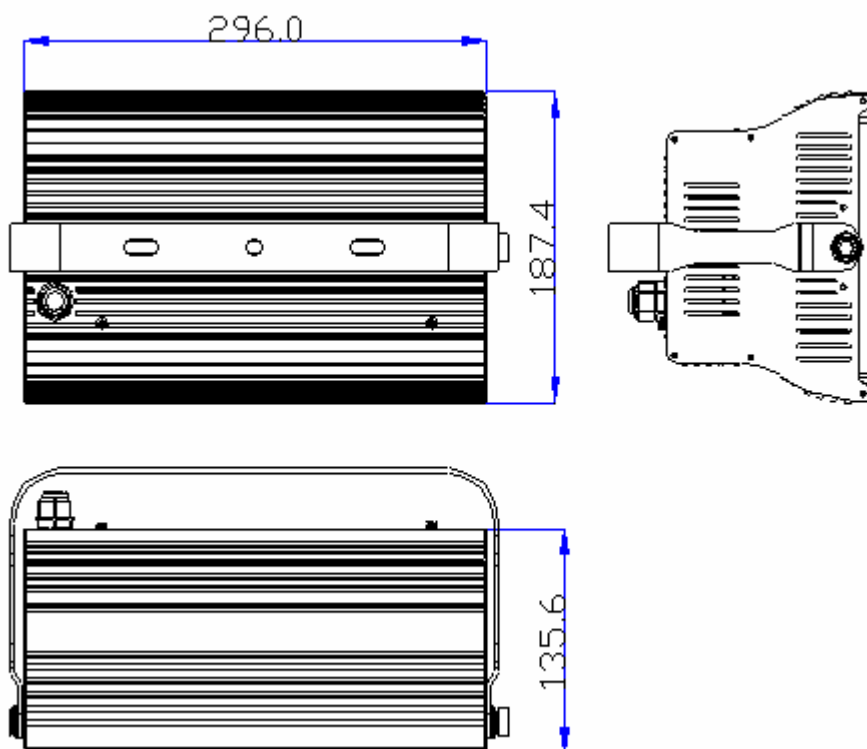
◆ Product Features:

- Aluminum die casting heat sink base with a cooling fan
- Integrated CREE WHT LED.
- Instant on/off
- Does not produce ultra violet (UV) light or IR
- Environmentally friendly – no mercury or other hazardous materials & fully recyclable
- Universal AC input /Full range, 100-277V
- Thermal protection system
- Short circuit / Over current / Over voltage / Over temperature protection
- IP65 design for outdoor
- RoHS
- Safety:Conform to GB7000.1-2007 / GB7000.5-2005
CNS 14335、IEC 60598-2-3

◆ Photo:



◆ Dimension :



Unit: mm

◆ Electronic Characteristics :

Technical parameter	Numerical value	Unit
Input voltage range	100-277V(AC)	V
Input frequency	50/60	Hz
Power consumption	185±10%	W
Luminous flux	12500±10%	lm
IP rate	IP65	IP
PFC	>0.95	
Color temperature	6000±500	K
Light source life span	>50000	hrs
LED type	Cree LED	XPE WHT
LED Number	84	PCS
Weight	5.4	KG