



PARA LIGHT ELECTRONICS CO.,LTD

Tel: 886-2-2225-3733
Mail: para@para.com.tw

Fax: 886-2-2225-4800
Website: http://www.para.com.tw

Data Sheet

Product Name: LED High Bay Light

Model Number : MILF200WCWC1-U-F

Version: A /1



Producer: Zhuang Wei

Auditing: Aaron

2014.6.30

Approval: [Signature]

[Signature]
2014.6.30



LED High Bay Light

MILF200WCWC1-U-F

Version: A /1

FEATURES:

- 28pcs LED integrated light source/ High efficiency LED Module/ 85lm/w
- Ceramic circuit board and Aluminum die casting heat sink base with a cooling fan
- Low noise cooling fan, noise level(THD)43.3~47.3dB(A)
- Instant on/off
- Does not produce ultra violet (UV) light or IR
- Environmentally friendly – no mercury or other hazardous materials & fully recyclable
- Universal AC input /Full range, 100~277V
- Thermal protection system
- Short circuit / Over current / Over voltage / Over temperature protection
- Glass cover
- IP41 design for indoor
- RoHS, CE
- The product comply with UL certification, the registered number is E353926



LED High Bay Light

MILF200WCWC1-U-F

Version: A/1

PRODUCT SPECIFICATION:

- Photo:

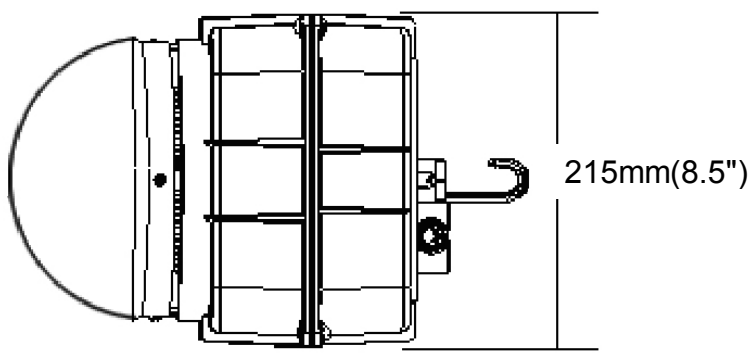


Shell color: black or white

Reflector Option



- Outline dimensions:



- Note:

1.The tolerance is ± 10 mm unless otherwise noted





LED High Bay Light

MILF200WCWC1-U-F

Version: A/1

- Technical parameters:

Input Voltage Range	100~277V
Input Frequency	50/60 Hz
Power Consumption	200 W±10%
LED Type	Cree (XML)
LED Quantity	28Pcs
Color Temperature	5500~7500 K
Operating Temp	-25~50℃(-13~122°F)
Power Factor	>0.9
Color Rendering Index	>70
IP Rate	IP41
Light Source Life Span	>35,000 Hrs

Reflector	Aluminum(AL)	Polycarbonate(PC)
Model Number	ATH0-10530-Z048	ATH0-10830-Z122
Photo		
Weight	5.44kg(12.0lb)	5.49kg(12.1lb)
Luminous Efficacy	80Lm/W	75Lm/W
Luminous Flux (±10%lm)	16,000lm	15,000lm

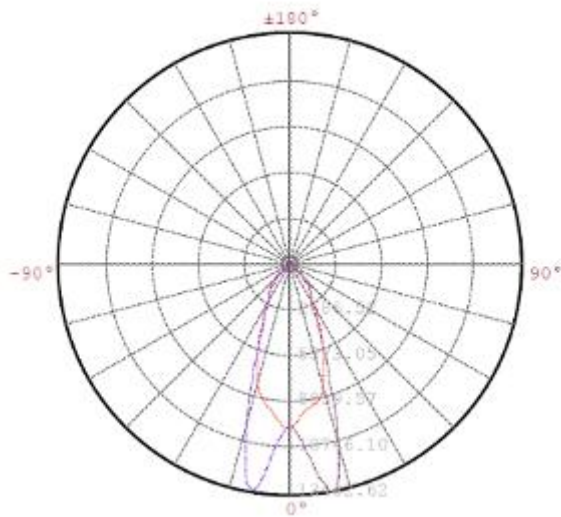


LED High Bay Light

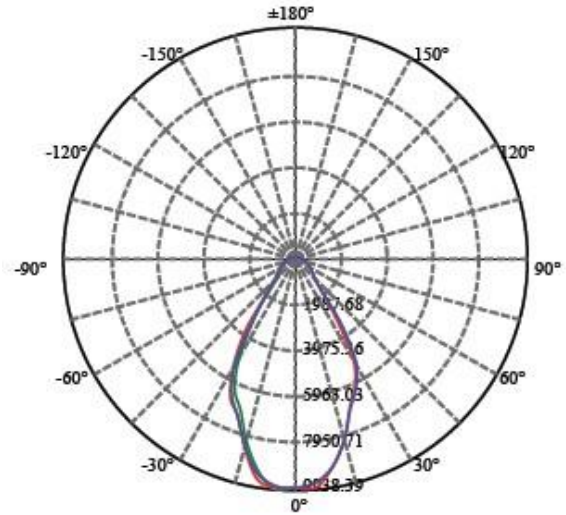
MILF200WCWC1-U-F

Version: A/1

- Light intensity distribution (Unit: CD)

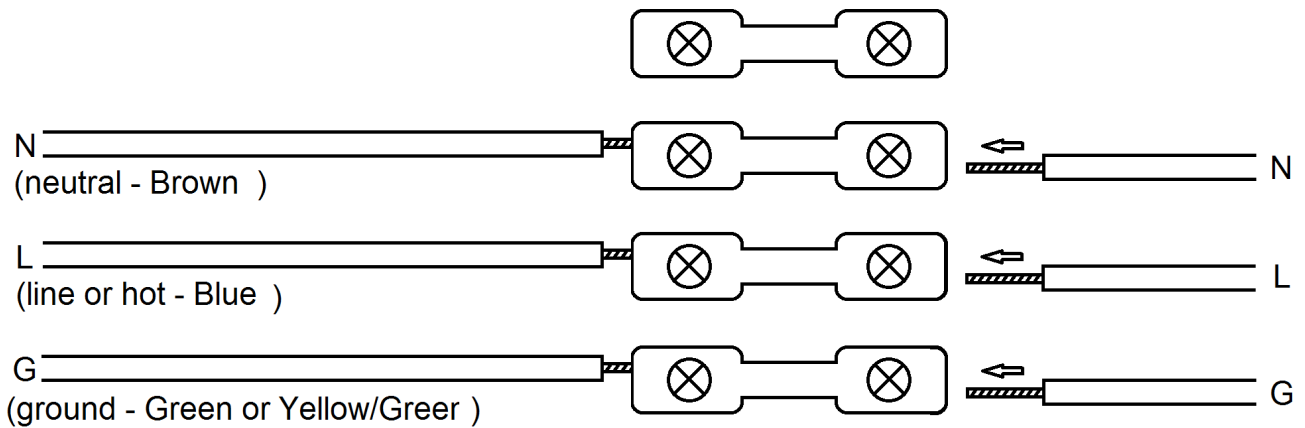


AL reflector



PC reflector

- Wire box





LED High Bay Light

MILF200WCWC1-U-F

Version: A/1

- Packing Flow



carton size mm(inch) :
395(15.4")x290(11.4") x 290(11.4")
1box : 1pcs
Weight (Kg/Lb):5.68(12.5)



Reflector Al: ATH0-10530-Z048
carton size mm(inch) :
550(21.7")x540(21.3")x 440(17.3")
1box : 5pcs
Weight (Kg/Lb):6.14(13.5)

Reflector PC: ATH0-10830-Z122
carton size mm(inch) :
550(21.7")x540(21.3")x 440(17.3")
1box : 3pcs
Weight (Kg/Lb):6.14(13.5)

