



PARA LIGHT ELECTRONICS CO.,LTD

Tel: 886-2-2225-3733

Fax: 886-2-2225-4800

Mail:para@para.com.tw

Website: <http://www.para.com.tw>

Data Sheet 规格书

LED 灯丝灯泡

Product Name :LED Filament Bulb

Model Number:E27W4WWW-FB

Version: A /0

Producer: Zhuang Wei **Auditing:** _____ **Approval:** _____

FEATURES/特点:

- ※ The bulb shape is simple and elegant, 360 ° Beam Angle and has a LED light bulb high brightness, long life, low energy consumption, environmental protection and other advantages.
本灯泡外形简单大方， 360° 发光角度并具有 LED 灯泡亮度高、寿命长、能耗低、绿色环保等优点。
- ※ Using RC Buck drive power, stable performance.
采用阻容降压驱动电源，性能稳定。
- ※ 20,000 hours rated average life.
寿命长达2,0000小时。
- ※ Sophisticated, refined appearance.
工艺精细、外观精致。
- ※ Instant start, no flicker, no iris, no dark areas.
瞬间启动，无闪烁，无光圈，无暗区。
- ※ Free of halogen, mercury and other harmful substances, RoHS compliant.
不含卤素、汞等有害物质，符合 RoHS 标准。

PURPOSE/目的:

- ※ Provide solid-state lighting of energy saving
提供节能环保的固态照明。

APPLICATION/应用:

- ※ Mainly used in homes, shopping malls, hotels, meeting rooms, exhibition halls and other indoor places lighting instead of incandescent lamp.
主要适用于家居、商场、酒店、会议室、展览厅等室内场所照明。

ENVIRONMENTAL CONDITION/环境条件:

- ※ The environmental condition as below:
所述环境条件如下:

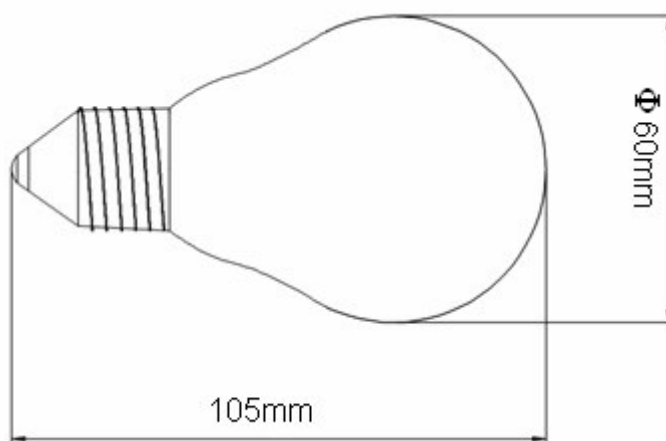
Item/项目	Condition/条件	Notes/备注
Operation Temperature [°C] 工作温度[°C]	-35 ~ +50	
Storage Temperature [°C] 储存温度[°C]	-35 ~ +60	

PRODUCT SPECIFICATION/产品规格:

※ Photo/图片:



※ Outline dimensions/外形尺寸:



- Note/备注:

1.All dimension unit is millimeters

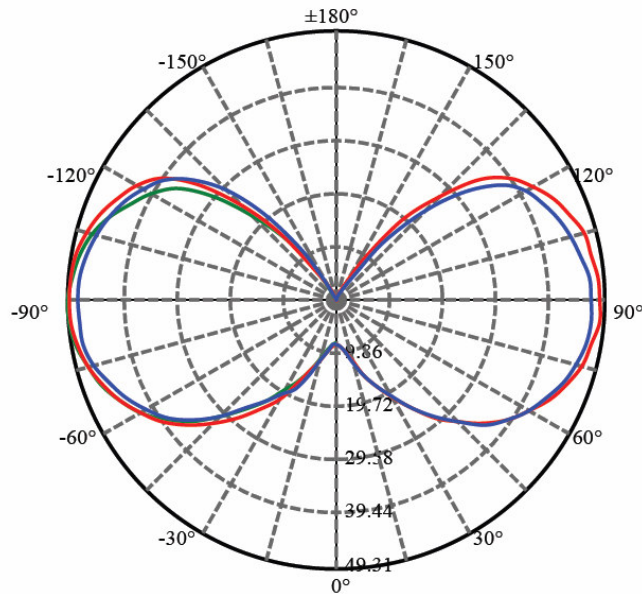
所有尺寸单位为毫米

2.The tolerance is $\pm 2\text{mm}$ unless otherwise noted公差为 $\pm 2\text{mm}$

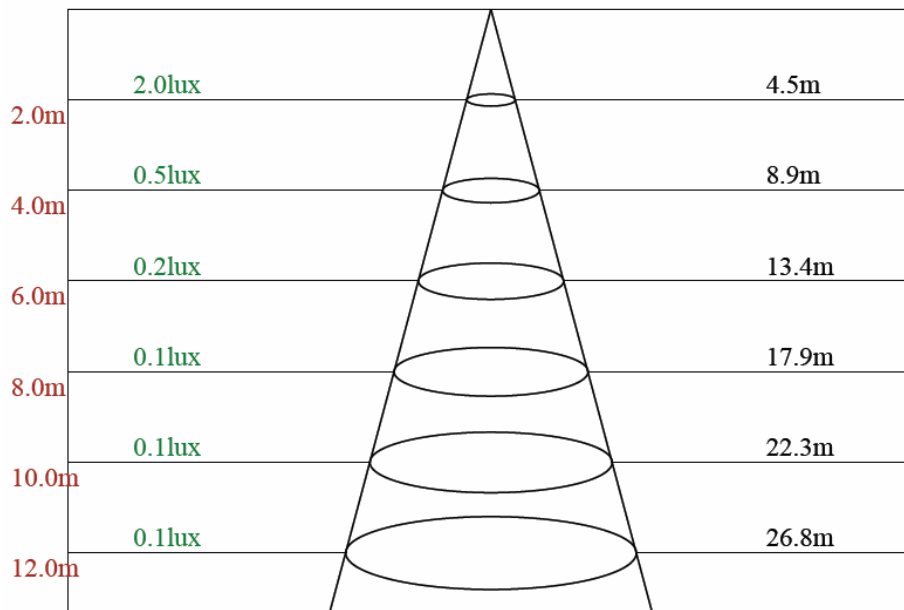
※ Technical parameters/技术参数:

Input Voltage Range 输入电压	85~265Vac
Input Frequency 输入频率	50/60 Hz
Power Consumption 消耗功率	4 W±10%
Power Factor 功率因数	>0.5
Color Rendering Index 显色指数	≥80
Luminous Flux 光通量	>400 lm
Color Temperature 色温	2600K~3000K
Socket Type 插座类型	E27

※ Light intensity distribution (Unit: CD) /光强分布曲线图 (单位: CD):



※ Illumination at a distance/照度曲线图:



※ **Installing and Using/安装和使用:**

1. This product is E27 screw type, Clockwise screwed into the holder and then turn 85V-265Vac power supply.

本产品为 E27 螺口型，顺时针拧入灯座，接通 AC85V-265V 电源即可。

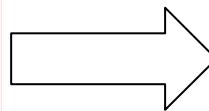
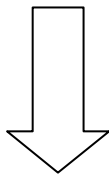
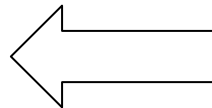
Note :(This light easy to use, regardless of the zero line and the line of fire, as long as 85V-265Vac voltage value, any connection)

注:(此灯使用方便不分零线和火线，只要 AC85V-265V 电压值，可任意连接)

※ **Warning/警告:**

1. Please use the correct power supply voltage to the LED bulb powered misconnection voltage may cause permanent damage to the fixture.
请用正确的电源电压给 LED 灯泡供电，误接电压可能会造成灯具的永久性损坏。
2. When the installation and replacement of this product, you must cut off the power.
安装和更换本产品时，必须切断电源。
3. Before unpacking, please verified bulb there exist damage caused during transport. If there is damage, Please stop using it immediately.
在拆开包装使用前，请查实灯泡有没有存在运输过程所造成的损坏。如果出现损坏，请立即停止使用。
4. Bulb should be used away from the heat source , Maintain ventilation fixtures working environment, to ensure that their work environment suitable temperature.
灯泡使用时应远离发热源，保持灯具工作环境的通风透气，以保证其工作环境温度适宜。
5. Do not use wet or rain shower in the long term to the place.
严禁在长期潮湿或雨水淋到的场所使用。
- 6.This product is not suitable for dimming.
本产品不适用于调光。

※ Packing Flow/包装:



Blister box size/吸塑盒尺寸 : 90*80*124mm
Inside carton size/内盒尺寸:65*65*130mm
outside carton size/外箱尺寸:400*270*270mm
1box:2level*24pcs=48pcs
1 箱: 2 层每层 24pcs 共 48pcs