



PARA LIGHT ELECTRONICS CO., LTD

Tel: 886-2-2225-3733

Fax: 886-2-2225-4800

Mail: para@para.com.tw

Website: <http://www.para.com.tw>

LED Down Light

Product Data Sheet

Model Number : DLF26WCWE2

Rev.: A / 0

Producer: ZhuangWei Auditing: GuBing Approval: _____



LED Down Light

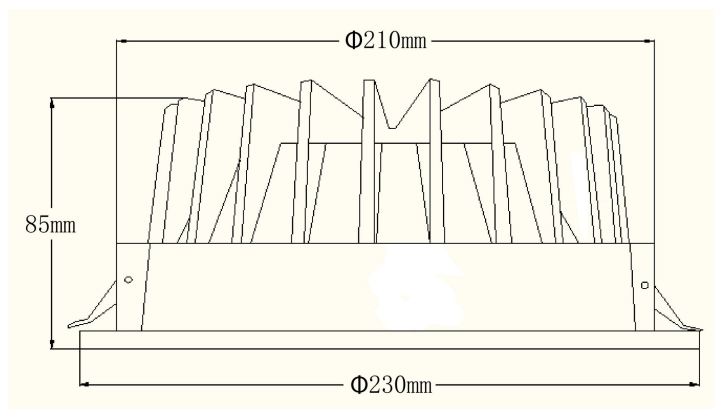
DLF26WCWE2

Rev.: A /0

◆ Photo:



◆ Dimensions:



Note:

- 1.All the dimensions are in millimeters
- 2.Tolerance is ± 5 mm unless otherwise noted



LED Down Light

DLF26WCWE2

Rev.: A /0

◆ Technical parameters:

Input Voltage Range	AC220V±10%
LED Type	PLCC 2835
LED Quantity	162Pcs
Power Consumption	26W±10%
Power Factor	>0.9
Color Rendering Index	>70
Luminous Flux	1800 lm±10%
Color Temperature	6000K±500
Material	Aluminum + Frosted glass

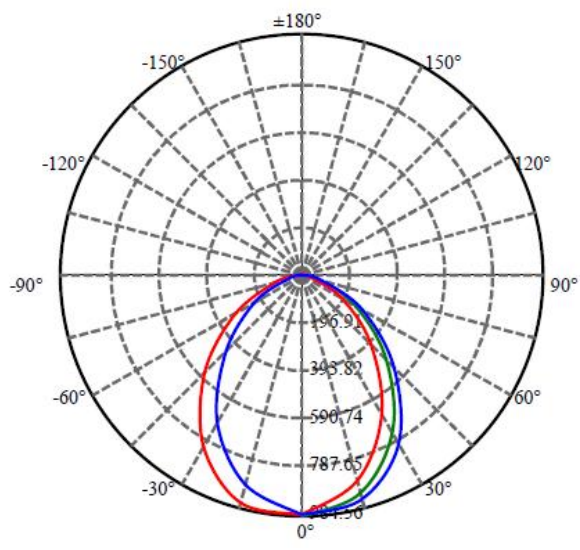


LED Down Light

DLF26WCWE2

Rev.: A / 0

◆ Light intensity distribution(Unit:CD):



◆ Illuminance at a Distance:

