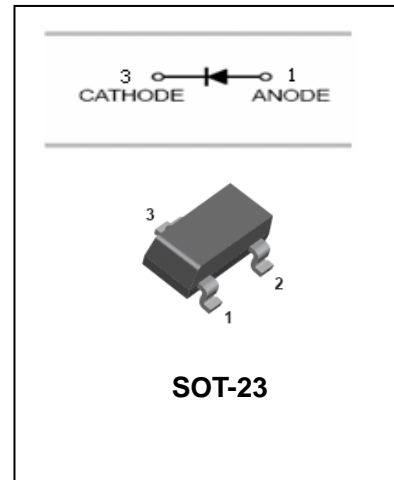


## Schottky barrier diode

## BAT750

### FEATURES

- High conductance.
- Very low forward voltage drop.
- For use in DC-DC converter, PCMCIA, and mobile telecommunications application.



### APPLICATIONS

- 0.75 Surface mount schottky barrier rectifier.

### ORDERING INFORMATION

Type No.	Marking	Package Code
BAT750	K77	SOT-23

### MAXIMUM RATING @ Ta=25°C unless otherwise specified

Characteristic	Symbol	Limits	Unit
Peak Repetitive Reverse Voltage Working Peak Reverse Voltage DC Reverse Voltage	$V_{RRM}$ $V_{RWM}$ $V_R$	40	V
RMS Reverse Voltage	$V_{R(RMS)}$	28	V
Average Rectified Current	$I_O$	750	mA
Non-Repetitive Peak Forward Surge Current 8.3ms Single half sine-wave superimposed on rated load	$I_{FSM}$	5.5	A
Power Dissipation	$P_d$	350	mW
Typical Thermal Resistance, Junction to Ambient Air	$R_{\theta JA}$	286	°C/W
Operating Junction Temperature Range	$T_j$	125	°C
Storage Temperature Range	$T_{STG}$	-40 to +125	°C

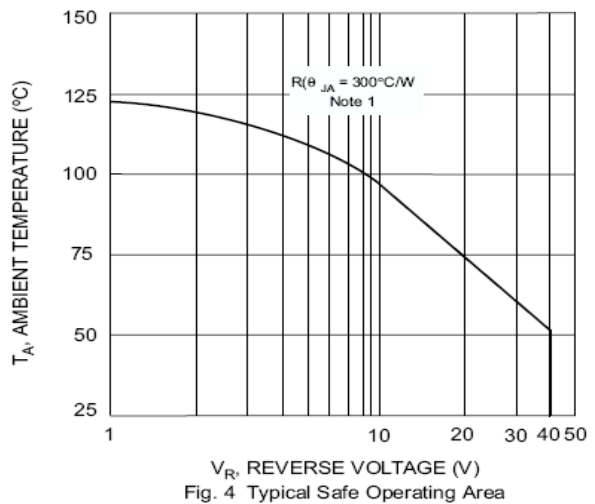
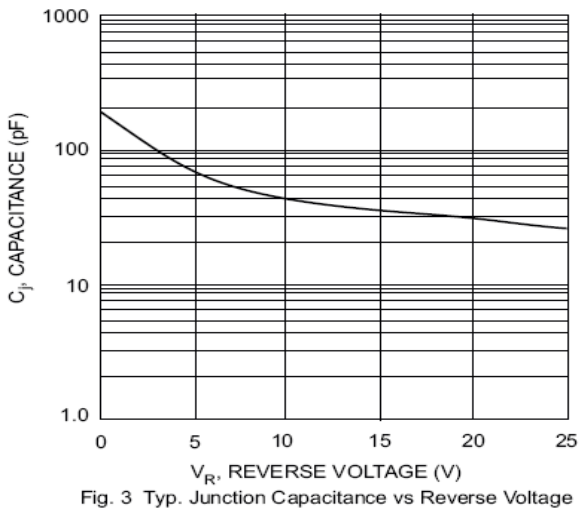
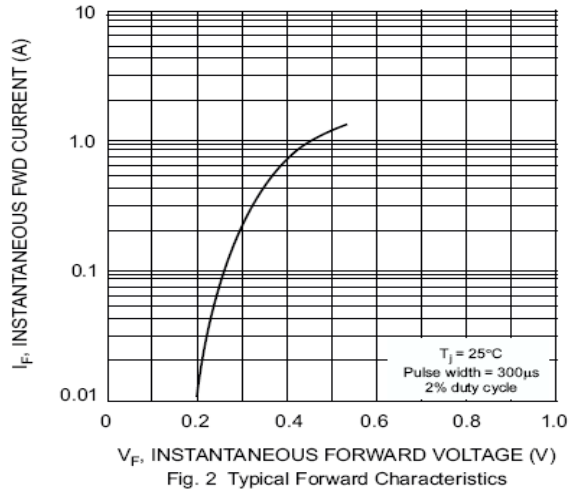
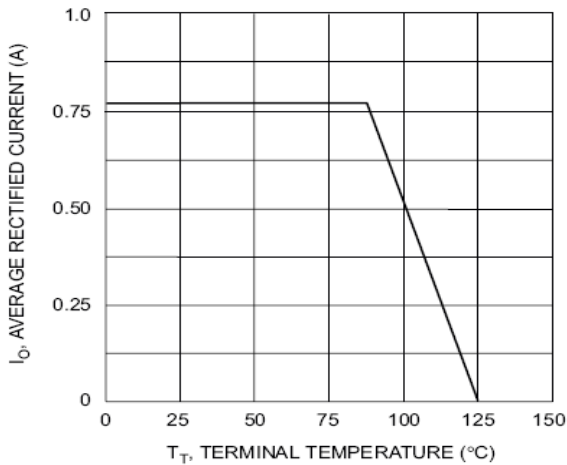
## Schottky barrier diode

## BAT750

### ELECTRICAL CHARACTERISTICS @ Ta=25°C unless otherwise specified

Characteristic	Symbol	Min	Typ	MAX	UNIT	Test Condition
Reverse Breakdown Voltage	$V_{(BR)R}$	40	45	-	V	$I_R=300\mu A$
Forward Voltage	$V_F$	-	225	280	mV	$I_F=50mA$
			235	310		$I_F=100mA$
			290	350		$I_F=250mA$
			340	420		$I_F=500mA$
			390	490		$I_F=750mA$
			420	540		$I_F=1000mA$
			475	650		$I_F=1500mA$
Maximum Reverse Current	$I_R$	-	50	100	$\mu A$	$V_R=30V$
Junction Capacitance	$C_j$	-	175	-	$\mu F$	$V_R=0V, f=1.0MHz$
		-	25	-		$V_R=25V, f=1.0MHz$

### TYPICAL CHARACTERISTICS @ Ta=25°C unless otherwise specified



Note: 1. Assumed application thermal conditions.  
 $R_{\theta JA}$  varies depending on application.

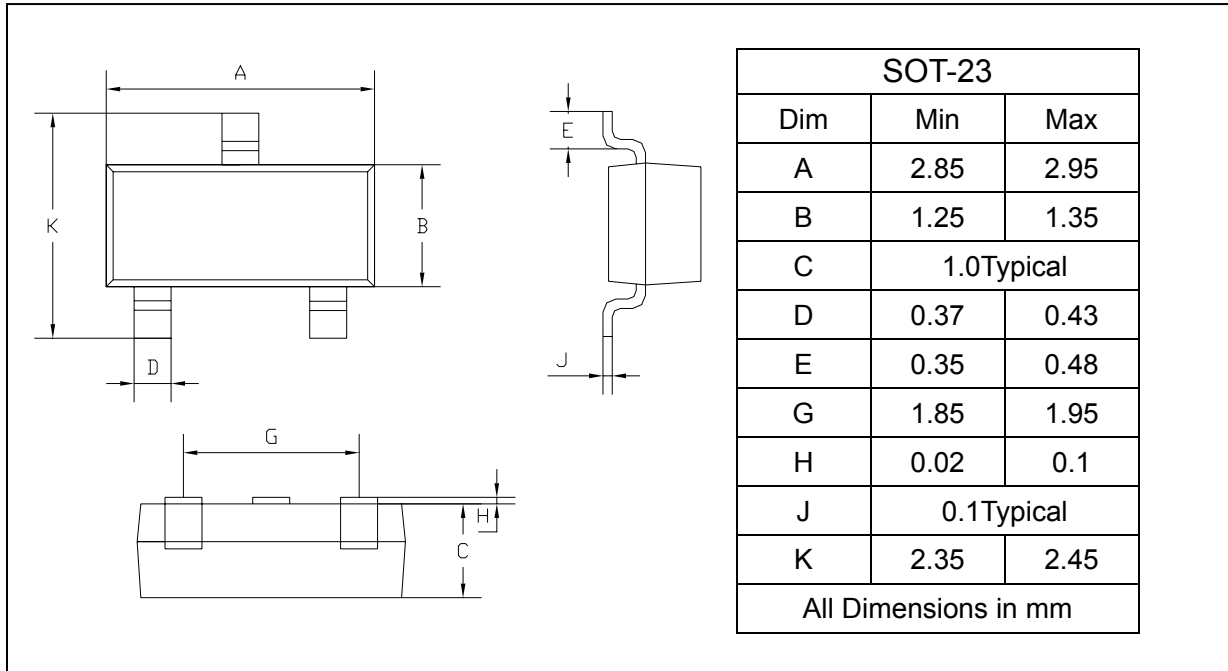
## Schottky barrier diode

## BAT750

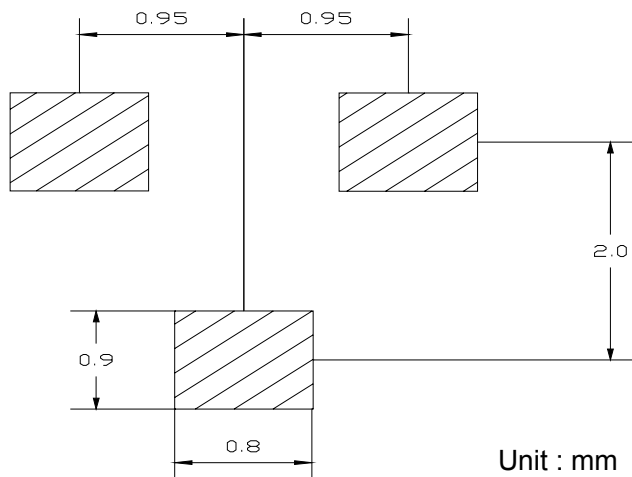
### PACKAGE OUTLINE

Plastic surface mounted package

SOT-23



### SOLDERING FOOTPRINT



### PACKAGE INFORMATION

Device	Package	Shipping
BAT750	SOT-23	3000/Tape&Reel