

CTP3015F Series

From 1.0 μ H to 27 μ H



CHARACTERISTICS

- Description:** SMD Shielded Power Inductor
- Applications:** Mainly used as a power source inductor for mobile phones, HDDs, LCD panels and DSCs.
- Operating Temperature:** -40°C to +105°C (includes self temp. rise)
- IDC1:** Based on inductance change ($\Delta L/L_0 \leq 30\%$) at ambient temp. 25°C
- IDC2:** Based on temperature rise ($\Delta T: 40^\circ\text{C Typ.}$)
- Rated Current:** IDC1 or IDC2, whichever value is lower.
- Resistance to Solder Heat:** 260°C 10 secs.
- Inductance Tolerance:** $\pm 20\%$, $\pm 30\%$
- Testing:** Inductance is tested on an HP4284A at 100KHz, 0.1V
- Packaging:** Tape & Reel
- Marking:** Parts are marked with letter identifier.
- Miscellaneous:** **RoHS Compliant.**
- Additional Information:** Additional electrical & physical information available upon request.
- Samples available. See website for ordering information.**

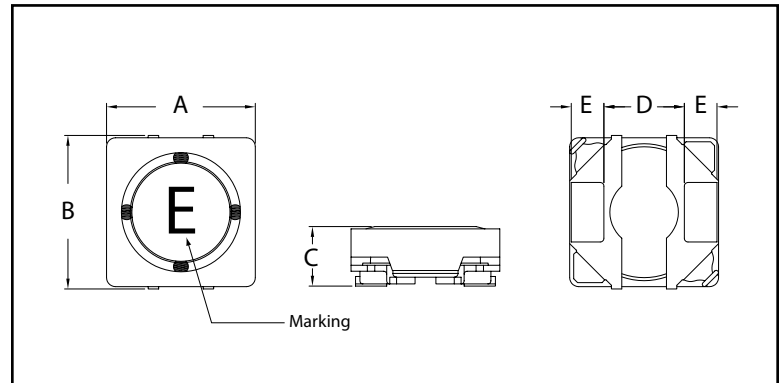
SPECIFICATIONS

Part numbers indicate available inductance tolerance:
M = $\pm 20\%$, N = $\pm 30\%$

Part Number	Marking	Inductance (μ H)	L Test Freq. (KHz)	DCR (m Ω) $\pm 20\%$	IDC1 (A)	IDC2 (A)
CTP3015F-1R0N	A	1.0	100	52	2.30	1.84
CTP3015F-1R5N	C	1.5	100	70	2.00	1.66
CTP3015F-1R8N	D	1.8	100	80	1.70	1.56
CTP3015F-2R2N	E	2.2	100	90	1.50	1.40
CTP3015F-2R7N	F	2.7	100	100	1.40	1.30
CTP3015F-3R3N	G	3.3	100	110	1.30	1.25
CTP3015F-3R9N	H	3.9	100	120	1.20	1.20
CTP3015F-4R7M	I	4.7	100	160	1.00	1.10
CTP3015F-5R6M	J	5.6	100	170	0.90	1.05
CTP3015F-6R8M	K	6.8	100	230	0.85	1.00
CTP3015F-8R2M	L	8.2	100	280	0.80	0.95
CTP3015F-100M	M	10	100	360	0.75	0.85
CTP3015F-120M	N	12	100	420	0.62	0.77
CTP3015F-150M	O	15	100	500	0.58	0.67
CTP3015F-180M	P	18	100	590	0.54	0.56
CTP3015F-220M	Q	22	100	720	0.48	0.50
CTP3015F-270M	R	27	100	820	0.40	0.45

PHYSICAL DIMENSIONS

Size	A	B	C Max.	D Typ.	E Typ.	F Typ.	G Typ.
mm	3.0 \pm 0.2	3.0 \pm 0.3	1.5	1.5	0.76	1.2	0.7
inches	0.12 \pm 0.008	0.12 \pm 0.012	0.060	0.060	0.030	0.050	0.030



PAD LAYOUT

