

## CTNR4018STF Series

From 1.0  $\mu\text{H}$  to 220  $\mu\text{H}$



### SPECIFICATIONS

Part numbers indicate inductance tolerance available.

M =  $\pm 20\%$ , N =  $\pm 30\%$

\*I<sub>rms</sub> DC current (A) that will cause an approximate  $\Delta T$  of 40°C.

\*\*I<sub>sat</sub> DC current (A) that will cause L0 to drop approximately 30%.

Part Number	Inductance ( $\mu\text{H}$ )	L Test Freq. (KHz)	DCR Max. ( $\Omega$ )	*I <sub>rms</sub> Typ. (A)	**I <sub>sat</sub> Typ. (A)
CTNR4018STF-1R0N	1.0	100	.030	2.75	4.00
CTNR4018STF-2R2M	2.2	100	.060	2.22	2.70
CTNR4018STF-3R3M	3.3	100	.084	1.99	2.00
CTNR4018STF-4R7M	4.7	100	.097	1.61	1.70
CTNR4018STF-6R8M	6.8	100	.141	1.23	1.45
CTNR4018STF-100M	10	100	.210	1.10	1.20
CTNR4018STF-150M	15	100	.321	0.86	0.94
CTNR4018STF-220M	22	100	.500	0.70	0.80
CTNR4018STF-330M	33	100	.676	0.60	0.65
CTNR4018STF-470M	47	100	.996	0.50	0.57
CTNR4018STF-680M	68	100	1.38	0.40	0.47
CTNR4018STF-101M	100	100	2.22	0.32	0.40
CTNR4018STF-151M	150	100	3.00	0.25	0.31
CTNR4018STF-221M	220	100	4.20	0.22	0.27

### PHYSICAL DIMENSIONS

Size	A	B	C Max.
mm	4.0 $\pm$ 0.2	4.0 $\pm$ 0.2	1.8
inches	0.157 $\pm$ 0.0079	0.157 $\pm$ 0.0079	0.071

### CHARACTERISTICS

**Description:** SMD (shielded) power inductor.

**Applications:** DC/DC converters, mobile phones, MP3 players, notebook PC, etc.

**Inductance Tolerance:**  $\pm 20\%$ ,  $\pm 30\%$

**Temperature Range:** Up to 125°C

**Testing:** Inductance is tested on an HP4285A at 100KHz, 0.25V.

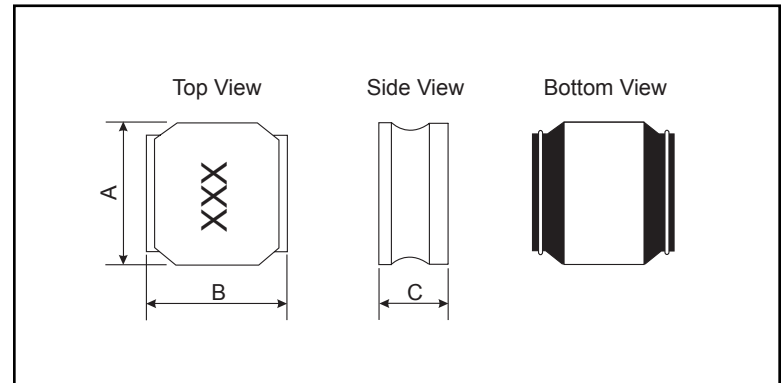
**Packaging:** Tape & Reel.

**Marking:** Parts are marked with inductance code.

**Miscellaneous:** **RoHS Compliant.**

**Additional Information:** Additional electrical & physical information available upon request.

**Samples available. See website for ordering information.**



### PAD LAYOUT

