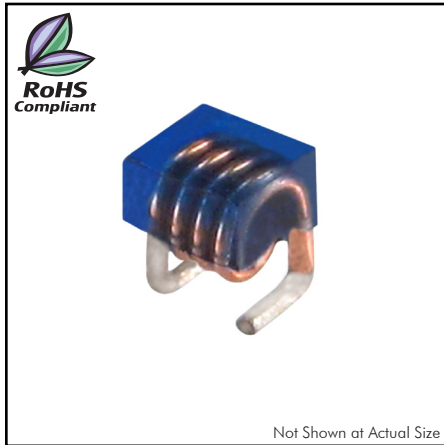


CTAC0603F Series From 3.9nH to 56nH



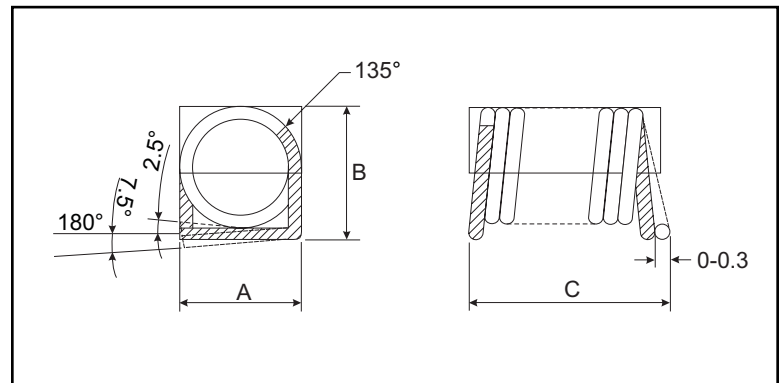
SPECIFICATIONS

Parts are available in $\pm 10\%$ inductance tolerance only.

| Part Number | Inductance (nH) | Test Freq. (MHz) | Q Min. | SRF (MHz) Min. | DCR (m Ω) Max. | IDC (mA) Max. |
|----------------|-----------------|------------------|--------|----------------|------------------------|---------------|
| CTAC0603F-3N9K | 3.9 | 300 | 80 | >3000 | 3.0 | 950 |
| CTAC0603F-4N7K | 4.7 | 300 | 80 | >3000 | 3.6 | 900 |
| CTAC0603F-5N6K | 5.6 | 300 | 80 | >3000 | 3.8 | 950 |
| CTAC0603F-6N8K | 6.8 | 300 | 80 | >3000 | 4.5 | 900 |
| CTAC0603F-8N2K | 8.2 | 300 | 80 | >3000 | 5.3 | 840 |
| CTAC0603F-10NK | 10 | 300 | 70 | >3000 | 6.9 | 600 |
| CTAC0603F-12NK | 12 | 300 | 70 | >3000 | 8.3 | 600 |
| CTAC0603F-15NK | 15 | 300 | 70 | 2500 | 11.5 | 500 |
| CTAC0603F-18NK | 18 | 300 | 70 | 2500 | 12.8 | 500 |
| CTAC0603F-22NK | 22 | 300 | 70 | 2400 | 11.3 | 550 |
| CTAC0603F-27NK | 27 | 300 | 70 | 1600 | 17.0 | 500 |
| CTAC0603F-33NK | 33 | 300 | 70 | 1600 | 26.9 | 320 |
| CTAC0603F-39NK | 39 | 300 | 70 | 1500 | 30.7 | 320 |
| CTAC0603F-47NK | 47 | 300 | 70 | 1500 | 34.5 | 320 |
| CTAC0603F-56NK | 56 | 300 | 70 | 1300 | 38.4 | 320 |

PHYSICAL DIMENSIONS

| Size | A | B | C |
|--------|-------|-------|-------|
| | Max. | Max. | Max. |
| mm | 1.80 | 2.00 | 2.00 |
| inches | 0.071 | 0.079 | 0.079 |



CHARACTERISTICS

- Description:** SMD air core inductor
- Applications:** Pager, Cordless phone & High Freq. Communication Products, Intercom, CATV
- Operating Temperature:** -25°C to +85°C
- Inductance Tolerance:** $\pm 10\%$
- Testing:** Inductance is tested on a HP4286A at 300MHz
- Packaging:** Tape & Reel.
- Miscellaneous:** **RoHS Compliant.**
- Additional Information:** Additional electrical & physical information available upon request.
- Samples available. See website for ordering information.**

PAD LAYOUT

