



Type series FE 31..

1,0 – 22 kW for integration



Steel-grid fixed resistor block, degree of protection IP 00 for integration into switch cabinets, units or ventilation ducts. Connection directly at the resistor.

Ⓜ optional, type designation would be FE.U 31..

Technologies

- for smaller up to middle power rating
- integration and combinations possible
- for mounting into switch cabinet, resistor unit or ventilation duct
- continuous power rating up to 22 kW
- optional with temperature switch (TS), with fast-on connectors 6,3x0,8; type designation would be FEQ 31...

Each resistor block can be equipped with 2 or more connecting lugs. Depending on the current the connection is realized by M6 or M10 screw. The mounting into the switch cabinet, resistor unit or ventilation duct is made by M12 thread bolts.

By means of series connection of steel-grid elements we achieve higher ohmic values; by connecting in parallel of several resistor blocks we achieve higher currents and power ratings.

We can also mount several partial resistors into one resistor block (e.g. 3 phases), separated by insulation rolls.

Warning:

Not more than 3 resistor blocks should be mounted on top of each other!
For customer wiring you should use a heat resistant wire.

Application

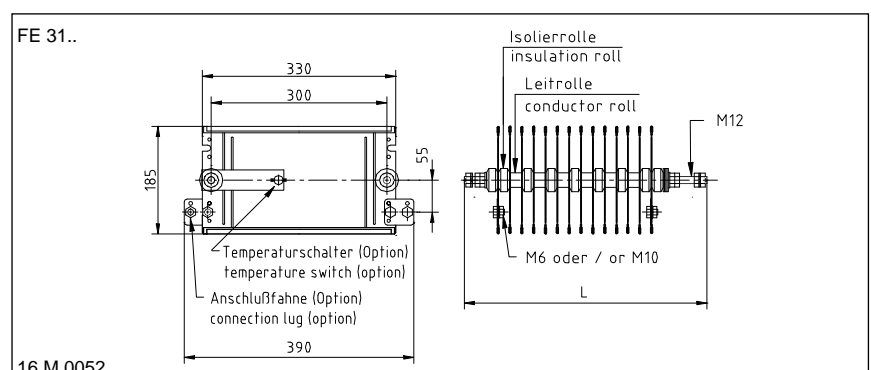
An important application is the use as load resistor, where high power rating is demanded by the user.

Further applications are e.g. the mounting of the steel-grid blocks into a ventilation duct with simultaneous forced ventilation by the exhaust air of a diesel engine radiator.

Electrical and mechanical data

type FE 3.. without , FEQ 3.. with TS	typical power in kW at 40°C and 100%DCF	production range Ω-value		number of steel-grids corresp. to given device size	dimensions in mm L	max. weight in kg
		from	to			
FE. 31503..	1,5	0,07	16	3	180	3,5
FE. 31504..	2,0	0,09	22	4	180	4,0
FE. 31005..	2,5	0,11	28	5	280	5,0
FE. 31007..	3,5	0,15	39	7	280	6,0
FE. 31009..	4,5	0,20	50	9	280	7,0
FE. 31112..	6,0	0,26	67	12	380	8,0
FE. 31114..	7,0	0,31	78	14	380	9,0
FE. 31216..	8,0	0,35	89	16	580	11,0
FE. 31220..	10,0	0,44	112	20	580	13,0
FE. 31224..	12,0	0,53	134	24	580	15,0
FE. 31326..	13,0	0,57	145	26	780	17,5
FE. 31330..	15,0	0,66	168	30	780	19,5
FE. 31334..	17,0	0,75	190	34	780	21,5
FE. 31436..	18,0	0,79	201	36	980	23,5
FE. 31440..	20,0	0,88	224	40	980	25,5
FE. 31444..	22,0	0,97	246	44	980	27,5

This table represents only a selection of our program. All numbers of steel-grids between 2 pc. (1,0 kW) und 44 pc. (22 kW) corresponding to our types are available. Type code and selection of units see Technical Details pages T613E to T620E.



Example of dimensioning and selection of a special unit:

One phase load resistor: 5,0 kW for 48 V DC; resistance value 0,46 Ω;
selected: 9 S5 -0,047 +1 S4-0,039 Ω = 0,46 Ω;
type FE 3111002 - 0,46 with typical power 5,0kW, connection on 2 connection lugs M10 at the resistor, with temperature switch (2 connections)

