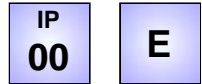




Type series FZ...L / FU...L

12 – 44 W with soldering clips,
for mounting on a printed circuit board



Cemented wirewound tubular fixed resistor, degree of protection IP00, for soldering on printed circuit boards, mounting and connection by soldering clips horizontal to mounting surface. Connections pretinned.

Technologies

- connection and mounting directly by means of the resistor soldering clips
- mounting directly on PCB

The given power values can be essentially increased during short time operation as a function of the duty cycle factor (DCF) The peak power can be easily calculated. Just multiply the values by the corresponding overload factors (OLF) of this table:

DCF	60%	40%	25%	15%	6%
OLF	1,5	2,2	3,2	5,0	9,5

These overload factors OLF are valid for a total cycle time of maximum 120 s

You will find further indications in chapter "Technical Details", pages T103E-T108E.

Application

As ballast, limiting, filter or series resistors on printed circuit boards.

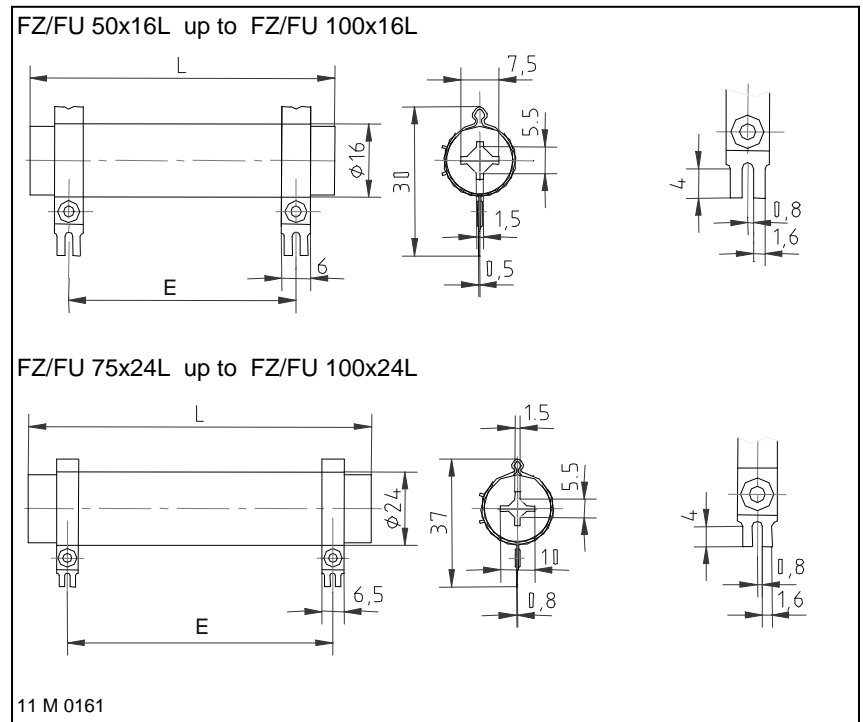
Reliable and efficient manufacturing process by optionally pretinned soldering connections.

Special design

- Special sizes on request

Electrical and mechanical data

Type series	typical power in W at 40°C, 100%DCF and 300°C ST	production range Ω-value		dimensions in mm		approx. weighting
		from	up to	L	E	
FZ..L (standard) /FU..L						
L x D						
F. 50x16L	12	0,27	6,8k	50	34	45
F. 63x16L	18	0,39	10k	63	45	55
F. 100x16L	34	0,68	18k	100	82	65
F. 75x24L	32	0,33	18k	75	55	120
F. 100x24L	44	0,47	27k	100	78	320



Example of dimensioning and selection of a specific unit:

resistor for mounting on a printed circuit board : continuous dissipation 30 W;
resistance value 1 kΩ;
selected: FZ 75x24 L – 1k with continuous dissipation 32 W

