

Push Back Probes

Push Back Probe 118 mil Plug-in with Switch Function

V03

| | |
|-------------------------|---------------|
| Centers (mm/mil) | 3,00 / 118 |
| Current | 8,0 A |
| Temperature | -20°C...+80°C |
| R typically | 30 mOhm |

Spring Force (cN ±20%)

| Preload | Nominal Force |
|---------|---------------|
| 300 | 1500 |

Travel (mm)

| Nominal | Maximum |
|--------------------|---------|
| 5,0 | 6,0 |
| Switch Travel (mm) | 3,5 |
| Wrench Size | 2,2 |
| Pointing Accuracy | ±0,1 mm |

Materials and Plating

| | |
|---------|-------------------------|
| Plunger | see Tip Style |
| Barrel | Brass, gold plated |
| Spring | Music wire, gold plated |

Accessories

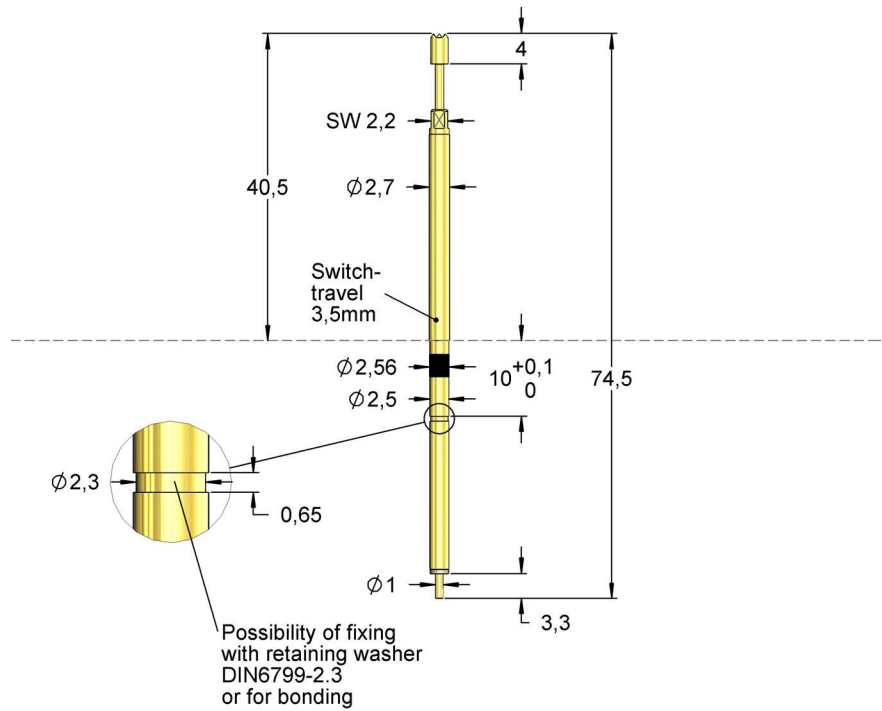
| | |
|---------------|---------------|
| Screw-in tool | FWZVF3S2 (T2) |
|---------------|---------------|

Drill Size [mm]

| | |
|-----|-------------|
| V03 | 2,50 - 2,52 |
|-----|-------------|

Projection Height

| | |
|-----|------|
| V03 | 40,5 |
|-----|------|



| Type | Tip-Ø | Spring Force (N) |
|----------------------|---------------------|------------------|
| V03 06 B 230 G 15 | | |
| Tip Style | Material | Finish |
| Material: | B = BeCu | |
| Head-Ø: | 230 = 2,3 mm (e.g.) | |
| Finish: | G = Gold | |
| ORDER EXAMPLE | | |

| Tip Style | Number | Material | Plating | Ø in mm | Version |
|-----------|--------|----------|---------|---------|---------|
| | 06 | B | G | 2,3 | - |
| | 17 | B | G | 2,3 | - |