



Plug-in Switch Probe 100 mil Closer (NO)

F878

NEW

Centers (mm/mil)	2,54 / 100
Current	3,0 A
Current (Switch)	1,0 A
Temperature	-20°C...+80°C
R typically	20 mOhm

Spring Force (cN ±20%)

Preload	Nominal Force
20	80
40	150
110	300

Travel (mm)

Nominal	Maximum
4,0	5,3
Switch Travel (mm)	2,6
Pointing Accuracy	±0,08 mm

Materials and Plating

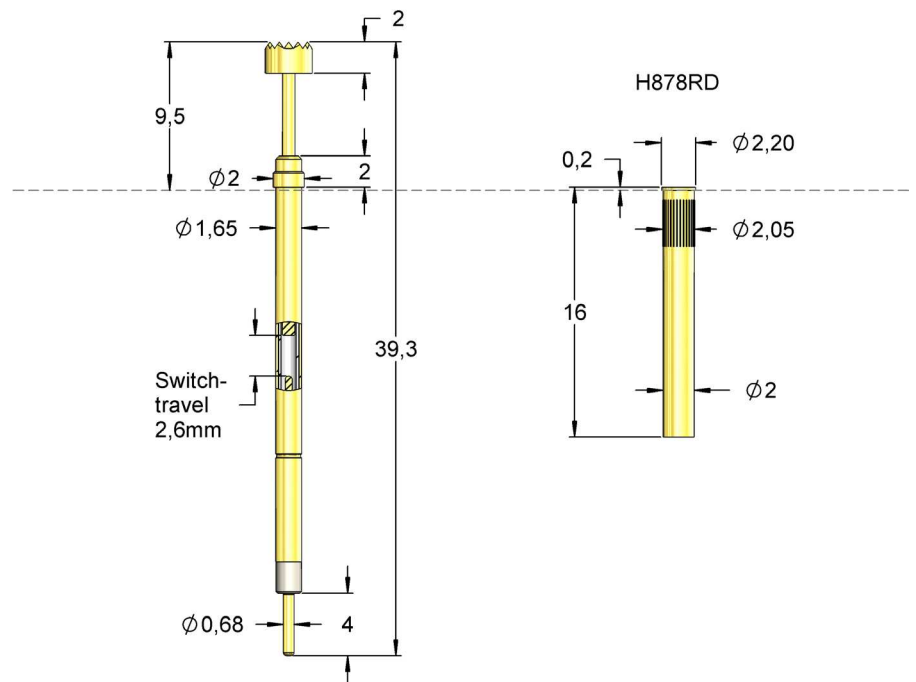
Plunger	see Tip Style
Barrel	Brass, gold plated
Spring	Music wire, silver plated
Receptacle	Brass, Gold plated

Accessories

Insertion tool receptacle	FEWZ-772E0
Insertion tool probe	FDWZ-100

Projection Height

H878RD	9,5
--------	-----



M 1:1



Type	Tip-Ø	Spring Force
F 878 06 B 150 G 150 S26		
Tip Style	Material	Finish Special Version
Material:	B = BeCu	
Tip-Ø:	150 = 1,5 mm (e.g.)	
Finish:	G = Gold	
Switch Travel:	S26 = 2,6 mm (deviating from standard)	
Receptacle:	Order Code according drawing	
ORDER EXAMPLE		

Tip Style	Number	Material	Plating	Ø in mm	Version
	06	B	G	1,5	S26
	06	B	G	3,0	S26
	16	B	G	0,8	S26
	17	B	G	1,0	S26