

Features:

- Isolated mounting base 2500V~
- Pressure contact technology with
Increased power cycling capability
- Space and weight savings

Typical Applications

- Inverter
- Inductive heating
- Chopper

$I_{F(AV)}$	75 A
V_{RRM}	600~1600 V
I_{FSM}	2.0 A × 10³
I^2t	20 A² S × 10³



SYMBOL	CHARACTERISTIC	TEST CONDITIONS	T _J (°C)	VALUE			UNIT
				Min	Type	Max	
$I_{F(AV)}$	Mean forward current	180° half sine wave 50Hz Single side cooled, T _C =100°C	140			75	A
$I_{F(RMS)}$	RMS forward current		140			118	A
V_{RRM}	Repetitive peak reverse voltage	V_{RRM} tp=10ms $V_{RSM} = V_{RRM} + 100V$	140	600		1600	V
I_{RRM}	Repetitive peak current	at V_{RRM}	140			20	mA
I_{FSM}	Surge forward current	10ms half sine wave	140			2.0	KA
I^2t	I^2T for fusing coordination	$V_R = 0.6V_{RRM}$				20	A ² S × 10 ³
V_{FO}	Threshold voltage		140			0.80	V
r_F	Forward slop resistance					4.25	mΩ
V_{FM}	Peak forward voltage	$I_{FM} = 225A$	25			2.00	V
t_{rr}	Reverse recovery time	$I_{FM} = 75A, tp = 1000\mu s,$ $-di/dt = 20A/\mu s,$ $V_R = 50V$	140		1.5		μs
$R_{th(j-c)}$	Thermal resistance Junction to case	Single side cooled				0.310	°C /W
$R_{th(c-h)}$	Thermal resistance case to heatsink	Single side cooled				0.08	°C /W
F_m	Terminal connection torque(M6)				6		N·m
	Mounting torque(M6)				6		N·m
T_{stg}	Stored temperature			-40		125	°C
W_t	Weight				860		g
Outline	413F3						

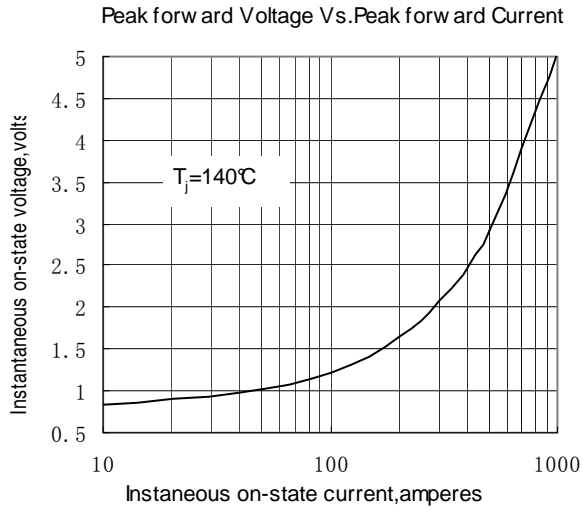


Fig.1

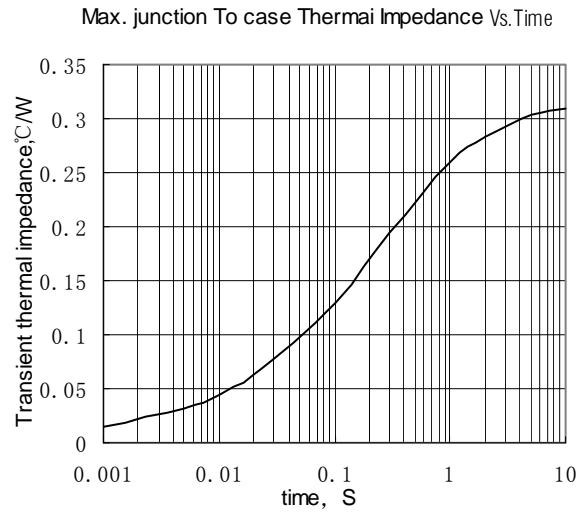


Fig.2

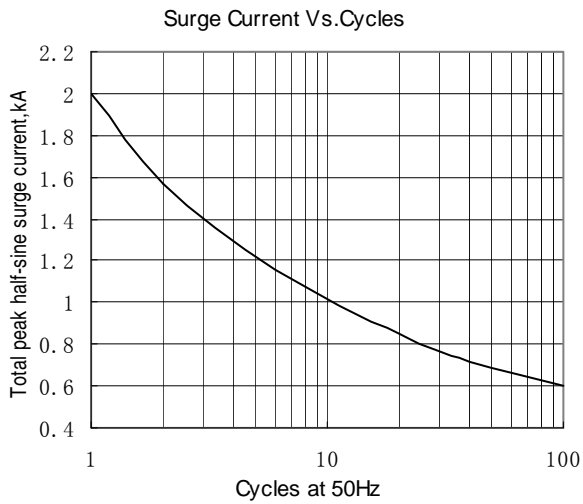


Fig.3

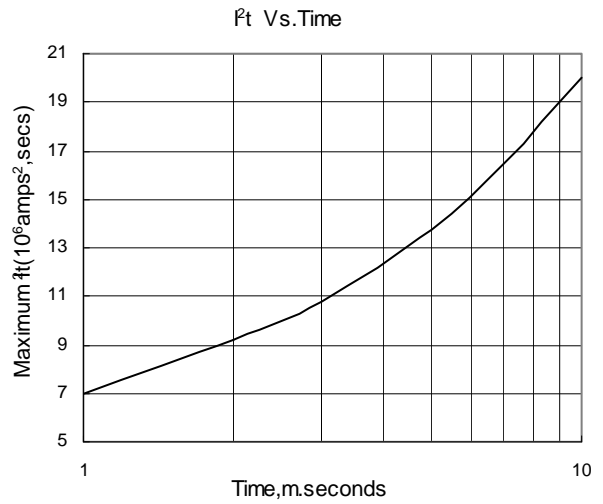
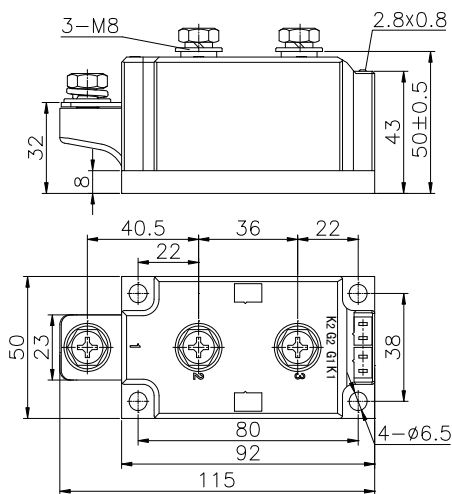


Fig.4

Outline:



413F3

