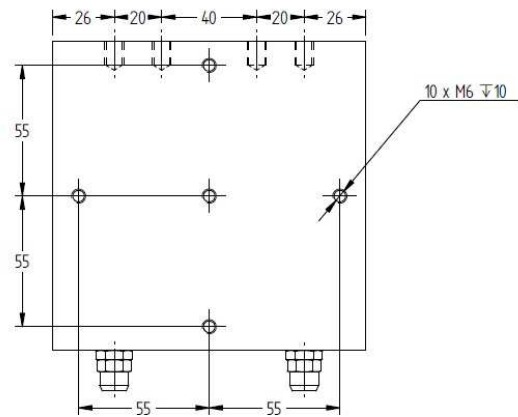
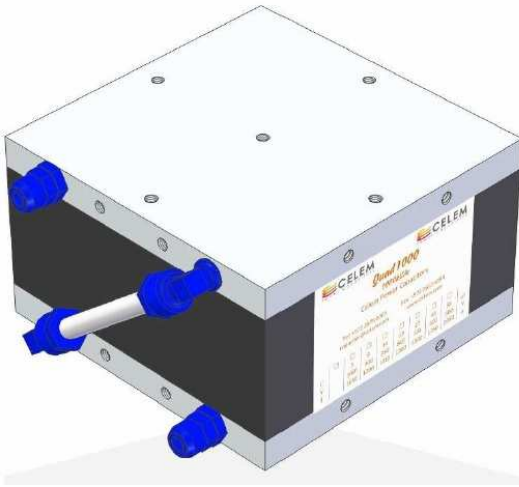
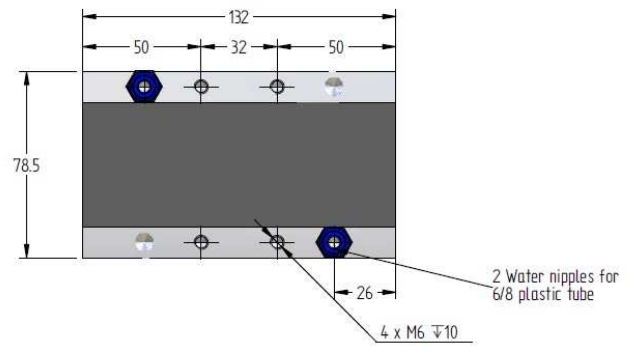
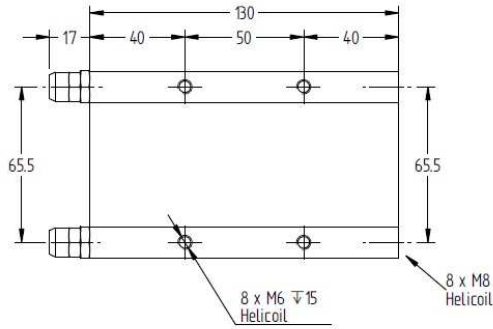


Quad 1000

Water-cooled capacitor

Technology Patented Worldwide



The standard version of this capacitor has aluminum electrodes.

Upon request this capacitor can be supplied with copper electrodes.

The copper version has similar dimensions and similar performance as the aluminum, but weighs 2 Kg more.

Specifications

Type		Quad 1000						
Dimensions (L x W x H)	mm	130 x 132 x 78.5						
Weight	kg	2.5						
Capacitance ($\pm 10\%$)	μF	5 μF	9 μF	14 μF	19 μF	27 μF	46 μF	85 μF
Sinusoidal Voltage	V _{rms}	1000	900	850	800	700	600	500
Peak Voltage	V	1410	1270	1200	1130	990	850	710
Max. Current	A _{rms}	1050	1200	1250	1300	1500	1750	2050
Max. Power	kVA _r	1000						
Freq Range @ Full Power	kHz	32-35	22-25	16-18	13-14	12-13	10-11	7-8
Stray Inductance	nH							

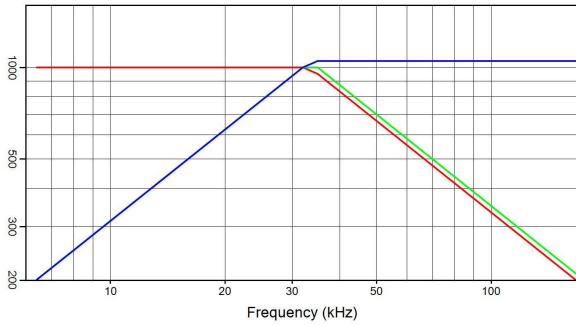
Celem Power Capacitors

Produced: 14-07-2014

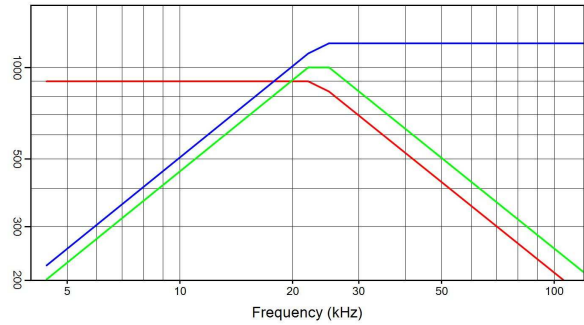
Quad 1000

Water-cooled capacitor

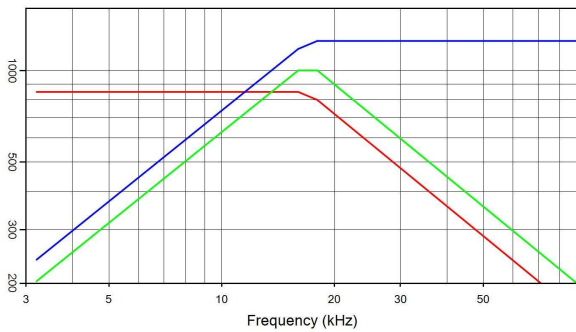
Technology Patented Worldwide



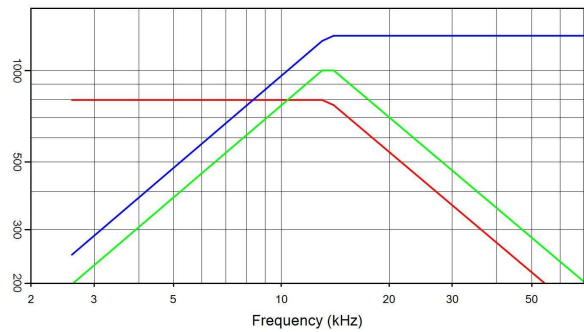
Quad 1000 5 µF 1000 V_{rms} 1050 A_{rms} 1000 kVA_r
 I(A) — Q(kVA_r) — V_{rms}



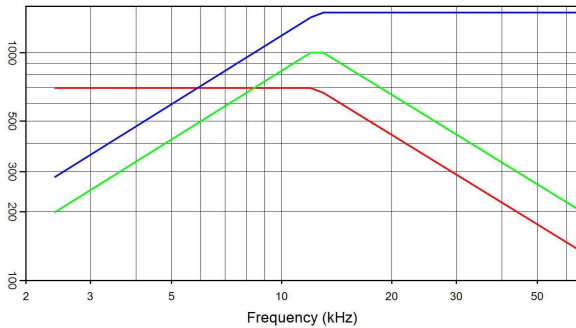
Quad 1000 9 µF 900 V_{rms} 1200 A_{rms} 1000 kVA_r
 I(A) — Q(kVA_r) — V_{rms}



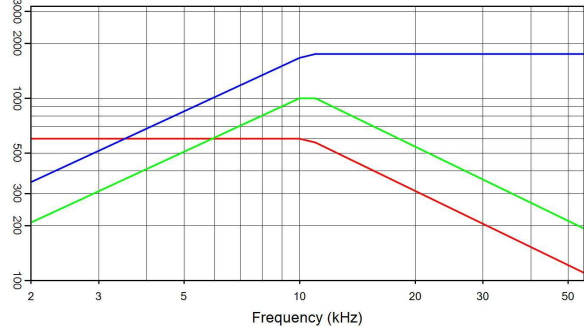
Quad 1000 14 µF 850 V_{rms} 1250 A_{rms} 1000 kVA_r
 I(A) — Q(kVA_r) — V_{rms}



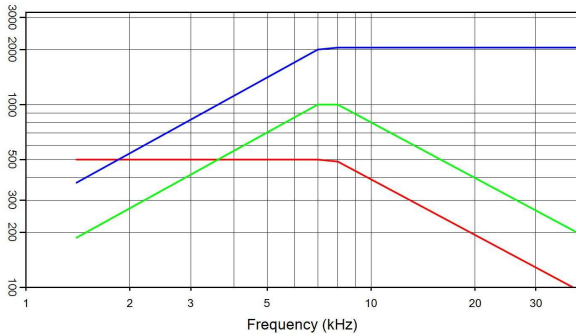
Quad 1000 19 µF 800 V_{rms} 1300 A_{rms} 1000 kVA_r
 I(A) — Q(kVA_r) — V_{rms}



Quad 1000 27 µF 700 V_{rms} 1500 A_{rms} 1000 kVA_r
 I(A) — Q(kVA_r) — V_{rms}



Quad 1000 46 µF 600 V_{rms} 1750 A_{rms} 1000 kVA_r
 I(A) — Q(kVA_r) — V_{rms}



Quad 1000 85 µF 500 V_{rms} 2050 A_{rms} 1000 kVA_r
 I(A) — Q(kVA_r) — V_{rms}

Celem Power Capacitors

Produced: 14-07-2014