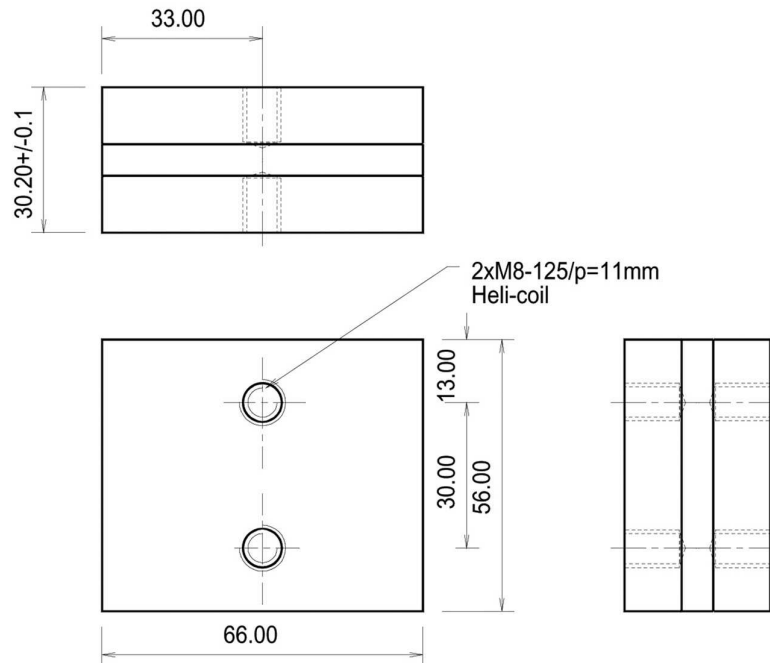


# CSP 305 A

Conduction-cooled capacitor

Technology Patented Worldwide



The CSP 305A and 305B conduction-cooled capacitors provide up to 300 kVAR of power. These capacitors have similar electrical characteristic but differ in their physical dimensions and in the number of holes used to mount the capacitor.

## Specifications

TYPE		CSP 305 A							
Dimensions (L x W x H)	mm	66 x 56 x 30.2							
Weight	kg	0.6							
Capacitance ( $\pm 10\%$ )	$\mu\text{F}$	0.1	0.2	0.33	0.66	1	1.32	2.6	5
Sinusoidal Voltage	$V_{rms}$	1000		700		600		500	400
Peak Voltage	$\hat{V}$	1410		990		850		710	570
Max. Current	$A_{rms}$	350	400	500		650		800	
Max. Power	kVA <sub>r</sub>	300							
Freq Range @ Full Power	kHz	477-650	239-424	295-402	148-201	133-224	100-170	73-86	60-68
Stray Inductance	nH	< 5							
Freq Limit	kHz	700							

# CSP 305 A

Conduction-cooled capacitor

Technology Patented Worldwide

