

RPC1195

Dual Stage, WYE 480V Power Line Filter

**RPC1195
DUAL STAGE 20 TO 30A
WYE, 480V**

ROHS COMPLIANT

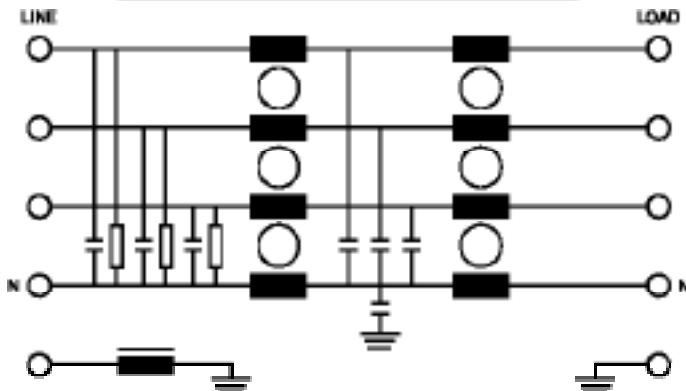
SPECIFICATIONS

Operating Freq.	: 50/60Hz
Usable Freq.	: DC - 400Hz
Max. Operating Voltage	: 480VAC
Ambient Temperature	: -25 to 50C
Climatic Class	: 25/100/21
Hipot Rating (L-G)	: 3500VDC
Terminals	: 10-32 Studs
Safety Approvals	: UR, CSA, EN60939
Part Numbering	
RPC1195-20	: 20A
RPC1195-30	: 30A
Typ. Weight, LBS (KG)	: 3.5 (1.6)

TYPICAL INSERTION LOSS, dB (50/50ohm)

FREQ (MHz)	.15	.5	1.0	10	30
CM(dB)	32	50	60	42	30
DM(dB)	45	60	60	40	30

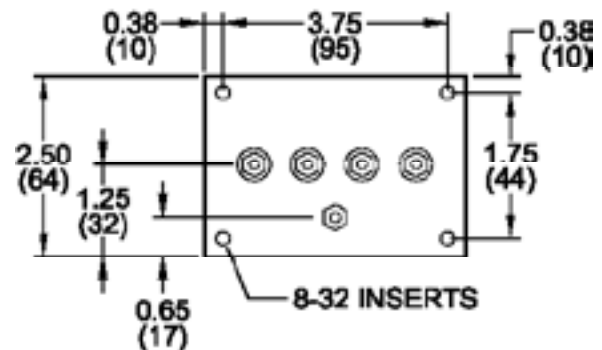
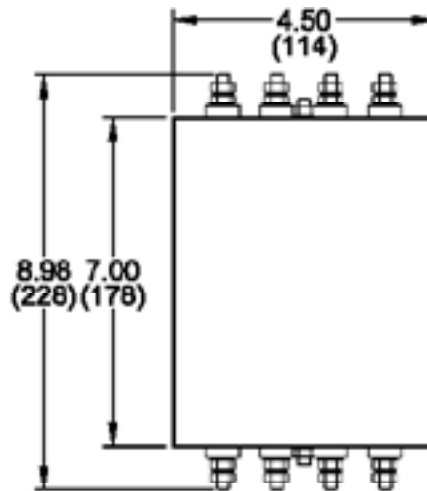
SCHEMATIC



Reference purposes only.
Specifications are subject to change.
Consult factory to verify specifications.



MECHANICAL



TYPICAL TOLERANCE: +/-0.02 (0.50)

www.radiuspower.com
www.astrodyne.com

Email: Emifiltercs@astrodyne.com