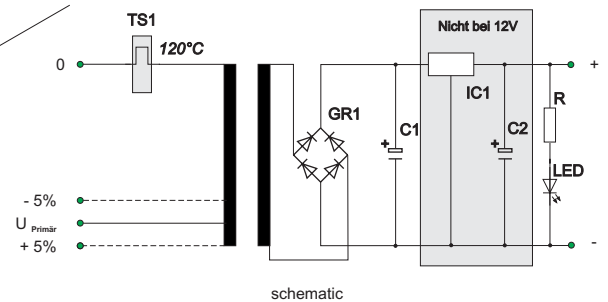
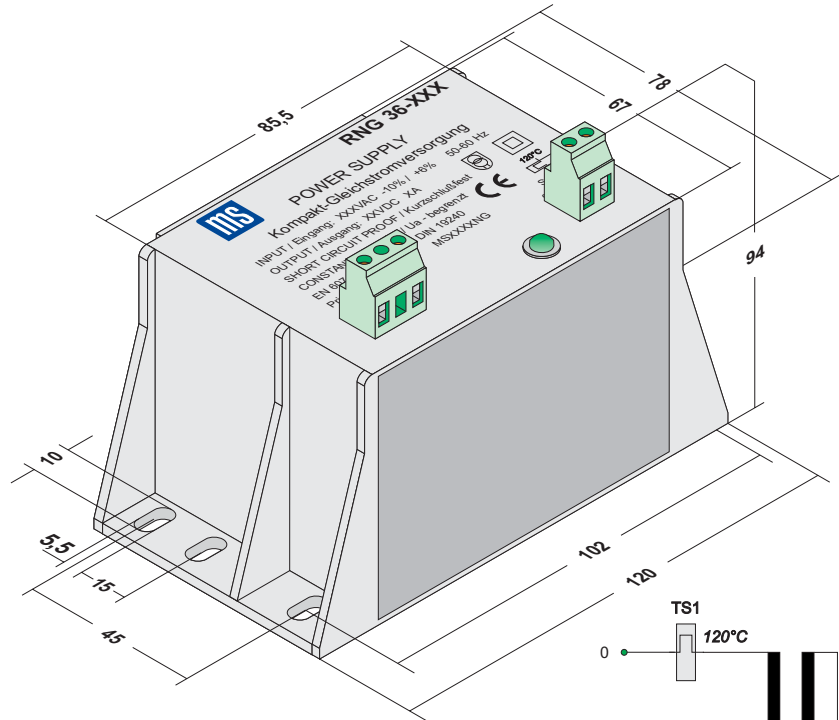


compact power supply

36 W



RNG	order-nr	input	tapping	power / voltage / current
	MS4130NG	230V	keine	36W 24VDC/1,5ADC
	MS4335NG	400V	keine	36W 24VDC/1,5ADC
	MS4420NG	230V	± 5%	36W 12VDC/3,0ADC
	MS4564NG	400V	± 5%	36W 12VDC/3,0ADC

technical datas:

input-voltage/voltage-tolerance:

or:

output-voltage / output-current:

24VDC / 1,5A
12VDC / 3,0A

output-ripple:

characteristic: 1,5A
3,0A

ambient temperature:

protection-class:

short-circuit-proof protection:

safety standards:

230 V / 50 - 60 Hz - 6%; + 10%

400 V / 50 - 60 Hz - 6%; + 10%

+ 5% ; - 10%

+ 25% ; - 10%

< 5%

svoltage-limited, short-circuit-proof

without control, characteristic WU

0 - +50°C

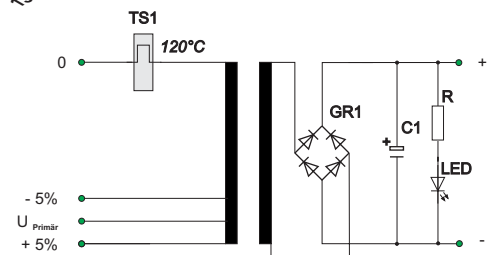
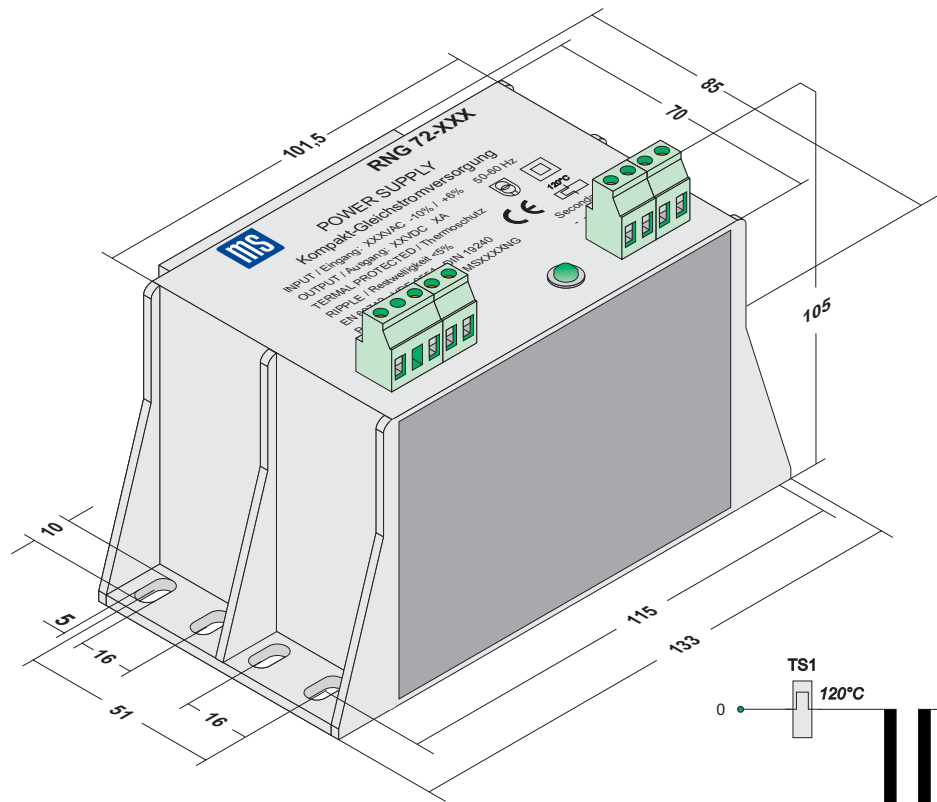
II / IP00

primary temperature-protection

EN 61558-2-6 (VDE 0551), DIN 19240

compact power supply

72 W



schematic

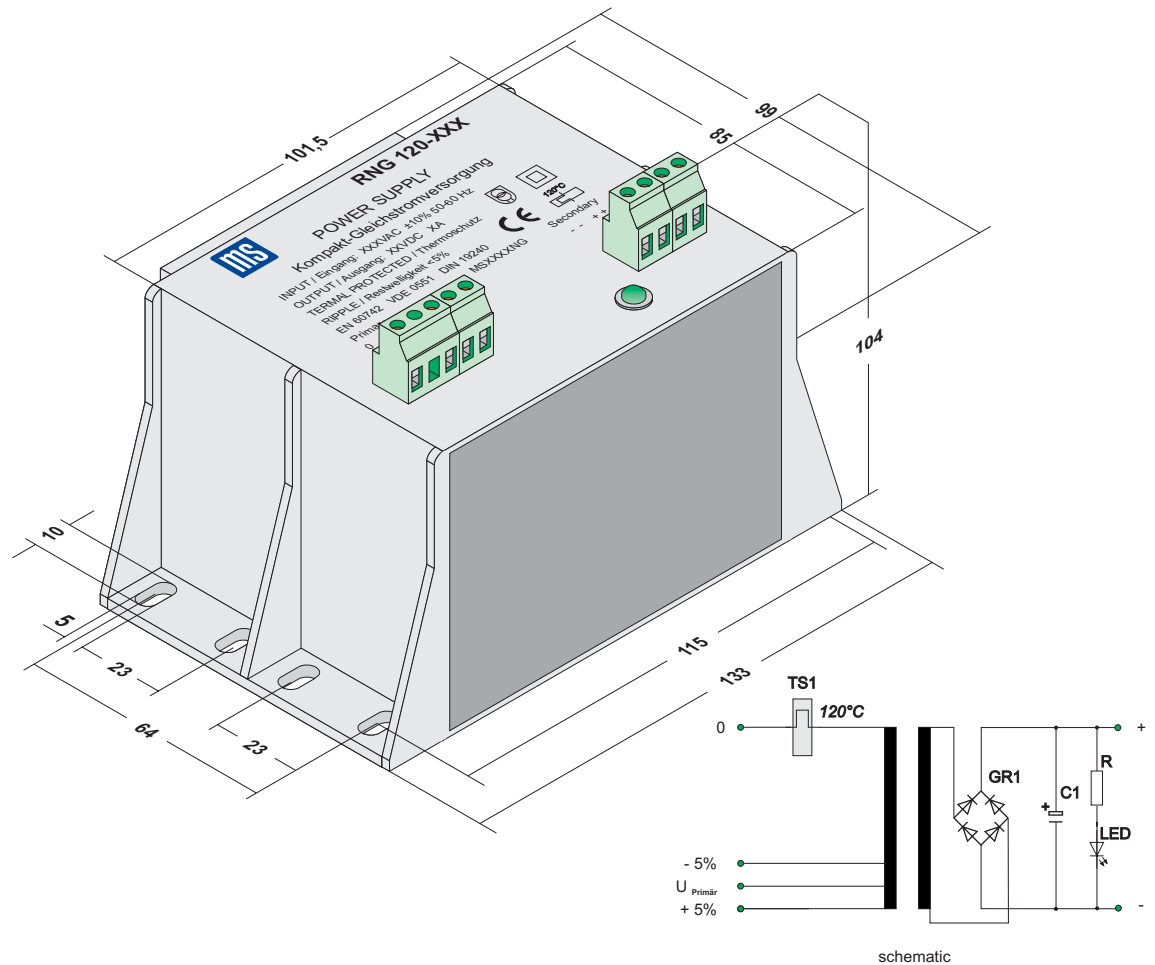
RNG	order-nr	input	tapping	power / voltage / current
	MS4285NG	230V	± 5%	72W 24VDC/3ADC
	MS4336NG	400V	± 5%	72W 24VDC/3ADC
	MS4565NG	230V	± 5%	72W 12VDC/6ADC
	MS4566NG	400V	± 5%	72W 12VDC/6ADC

technical datas:

input-voltage/voltage-tolerance:		230 V / 50 - 60 Hz ± 10%
or:		400 V / 50 - 60 Hz ± 10%
output-voltage / output-current:	24VDC / 3A	+ 15% ; - 10%
	12VDC / 6A	+ 15% ; - 10%
output-ripple:		< 5%
characteristic:		WU
ambient temperature:		0 - +50°C
protection-class:		II / IP00
short-circuit-proof protection:		primary temperature-protection
safety standards:		EN 61558-2-6 (VDE 0551), DIN 19240

compact power supply

120 W



RNG	order-nr	input	tapping	power / voltage / current
	MS4131NG	230V	± 5%	120W 24VDC/5ADC
	MS4337NG	400V	± 5%	120W 24VDC/5ADC
	MS4567NG	230V	± 5%	120W 12VDC/10ADC
	MS4568NG	400V	± 5%	120W 12VDC/10ADC

technical datas:

input-voltage/voltage-tolerance:

or:

output-voltage / output-current:

24VDC / 5A
12VDC / 10A

230 V / 50 - 60 Hz ± 10%

400 V / 50 - 60 Hz ± 10%

+ 15% ; - 10%

+ 15% ; - 10%

output-ripple:

characteristic:

< 5%

ambient temperature:

WU

protection-class:

0 - +50°C

short-circuit-proof protection:

II / IP00

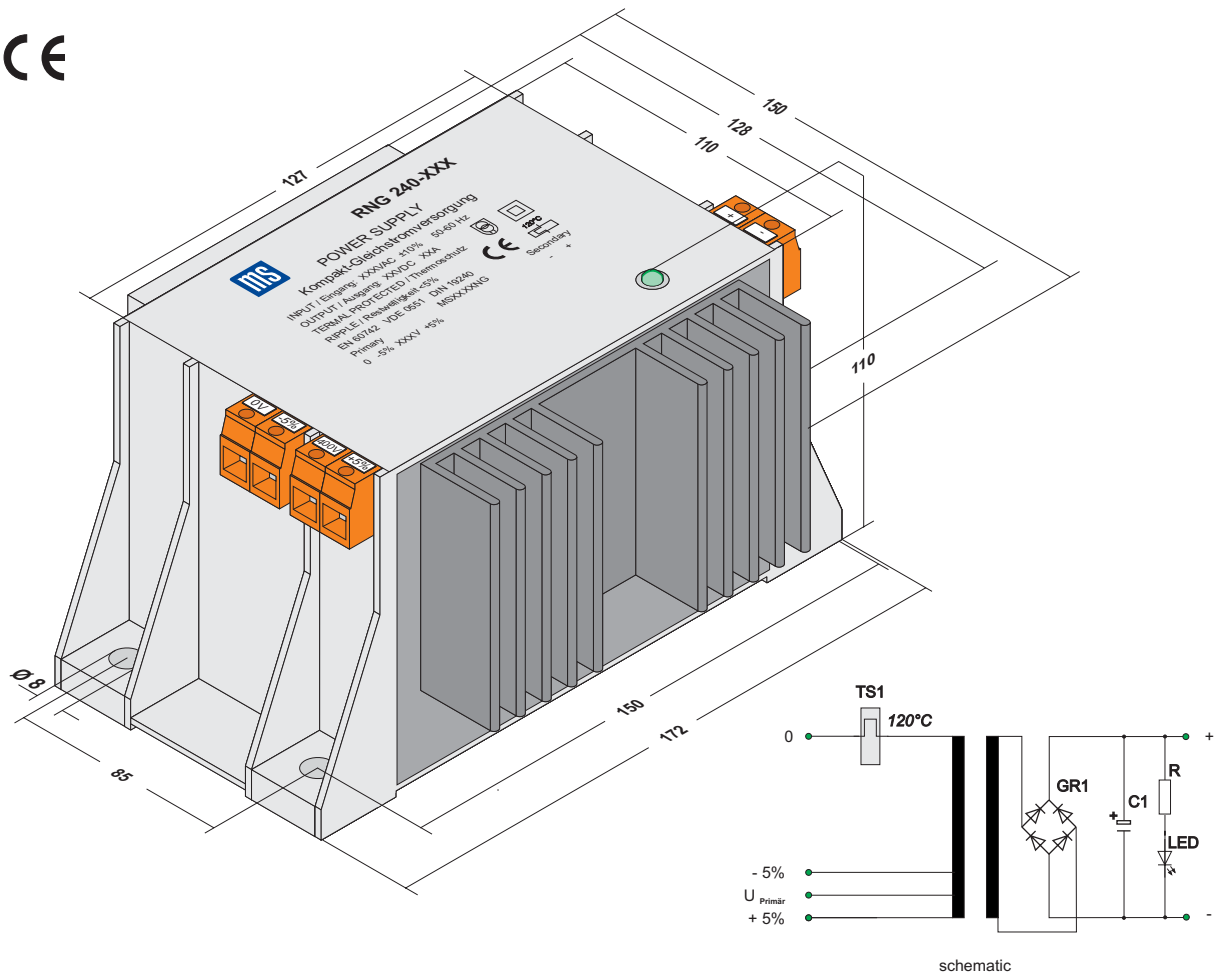
safety standards:

primary temperature-protection

EN 61558-2-6 (VDE 0551), DIN 19240

compact power supply

240 W



RNG	order-nr	input	tapping	power / voltage / current
	MS4222NG	230V	± 5%	240W 24VDC/10ADC
MS4338NG	400V	± 5%	240W 24VDC/10ADC	

technical datas:

input-voltage/voltage-tolerance:		230 V / 50 - 60 Hz ± 10%
or:		400 V / 50 - 60 Hz ± 10%
output-voltage / output-current:	24VDC / 10A	+ 15% ; - 10%
output-ripple:		< 5%
characteristic:		WU
ambient temperature:		0 - +50°C
protection-class:		II / IP00
short-circuit-proof protection:		primary temperature-protection
safety standards:		EN 61558-2-6 (VDE 0551), DIN 19240