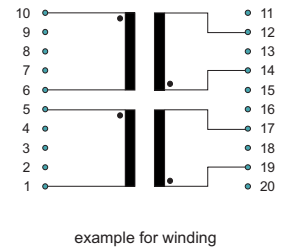
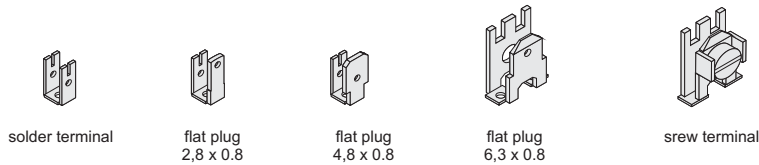
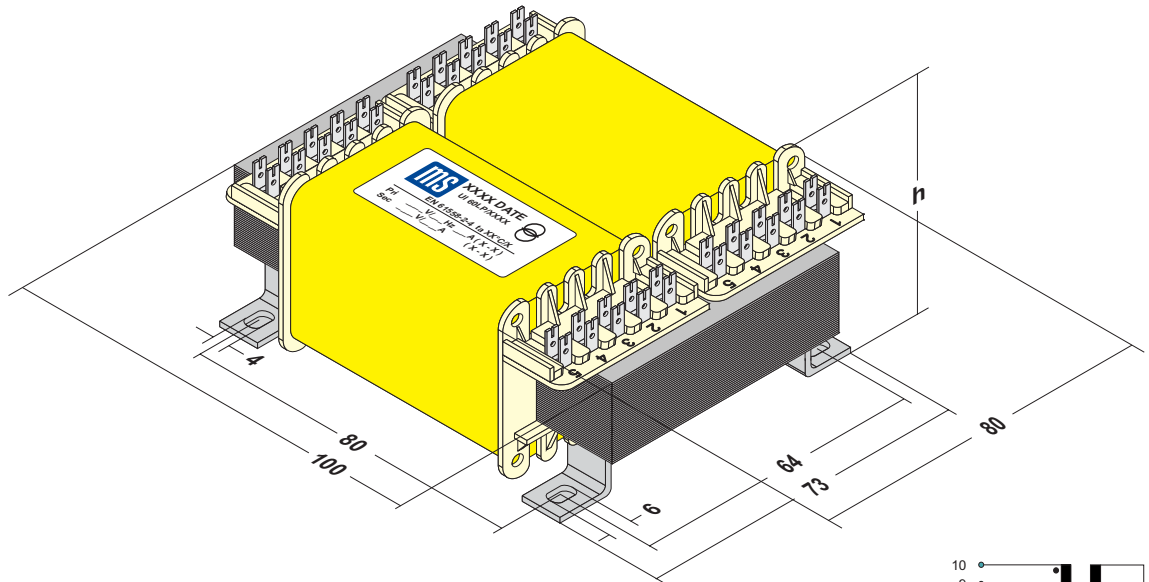


type UI 60 LP open

80 ... 180 VA


 (approvals in preparation)




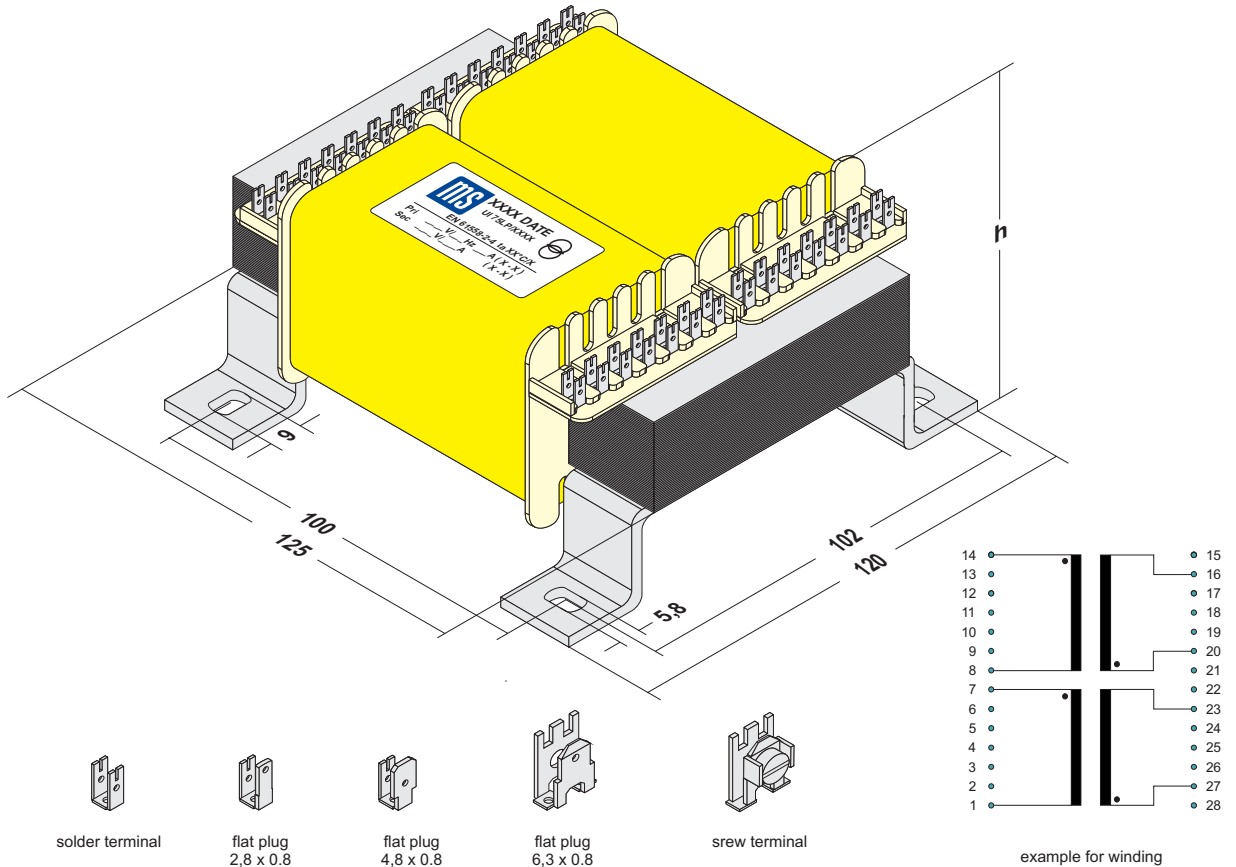
UI 60	type size [mm]	height h [mm]	power [VA]			
			ta 40°C/B		ta 70°C/B	
			compact	economy	compact	economy
	UI 60LP/21	47	135	110	100	80
	UI 60LP/31	57	180	135	130	100

- * insulating transformer satisfying VDE 0550 / EN 61558-2-4
- * construction in 1- or 2-chamber style
- * complete construction with UL-approved material
- * advantageous price / quality ratio
- * optional: temperature fuse / temperature switch

type UI 75 LP open

190 ... 500 VA


 (approvals in preparation)




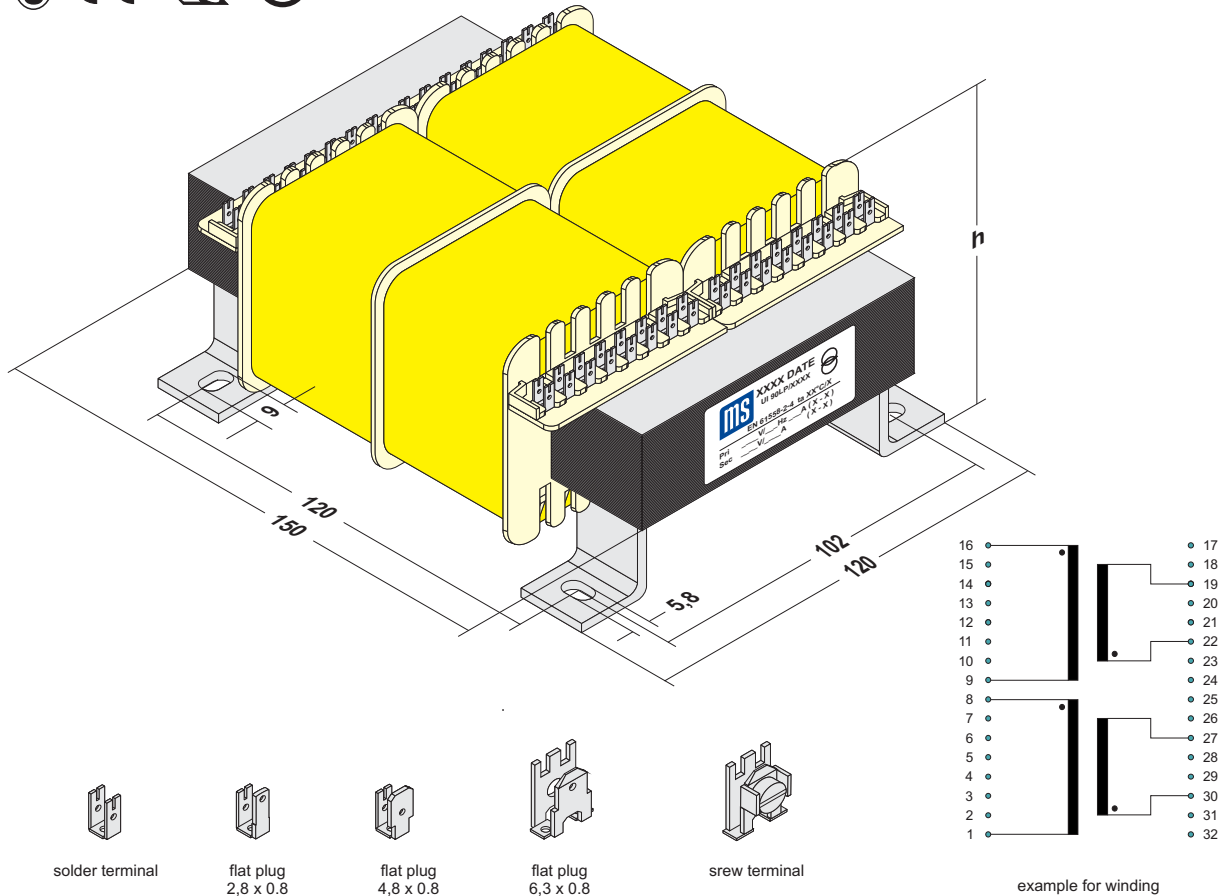
UI 75	type size [mm]	height h [mm]	power [VA]			
			ta 40°C/B		ta 70°C/B	
			compact	economy	compact	economy
UI 75LP/26,5	70	350	250	260	190	
UI 75LP/41,5	85	500	330	370	250	

- * insulating transformer satisfying VDE 0550 / EN 61558-2-4
- * construction in 1- or 2-chamber style
- * complete construction with UL-approved material
- * advantageous price / quality ratio
- * optional: temperature fuse / temperature switch

type UI 90 LP open

330 ... 850 VA


 (approvals in preparation)



UI 90	type size [mm]	height h [mm]	power [VA]			
			ta 40°C/B		ta 70°C/B	
			compact	economy	compact	economy
	UI 90LP/31,5	78	600	450	450	330
	UI 90LP/41,5	88	750	550	540	400
	UI 90LP/51,5	98	850	650	630	480

- * insulating transformer satisfying VDE 0550 / EN 61558-2-4
- * construction in 1- or 2-chamber style
- * complete construction with UL-approved material
- * advantageous price / quality ratio
- * optional: temperature fuse / temperature switch