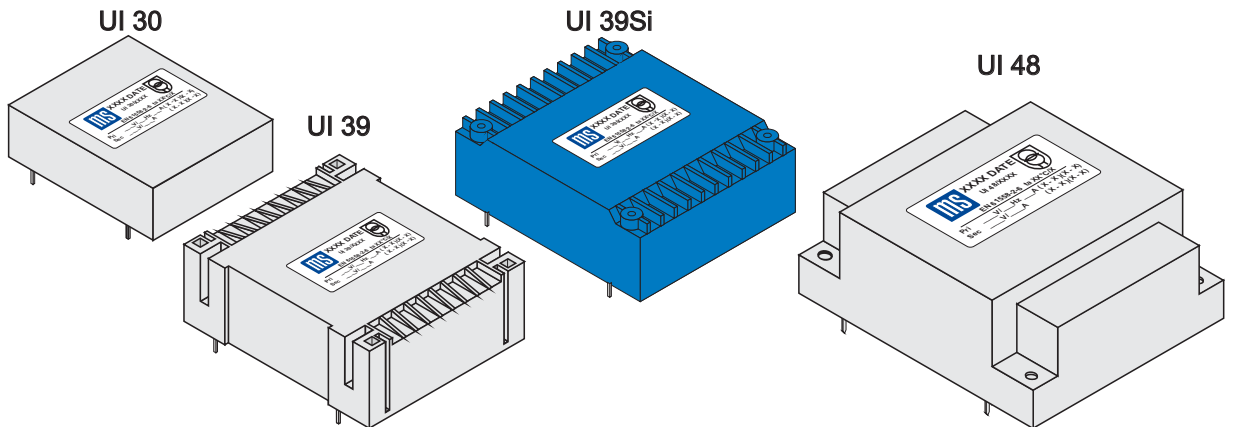


power table pcb transformer potted UI


- * safety transformer satisfying EN 60742 (VDE 0551) / EN 61558-2-6 ($U_o < 50 \text{ V}$)
- * construction in vacuum potted double chamber style
- * complete construction with UL-approved material
- * $U_o > 50 \text{ V}$: insulating transformer satisfying EN 61558-2-4
- * maximum one or two windings primary respectively secondary
- * advantageous price / quality ratio
- * automated production yields highest reliability
- * special version on demand
- * optional: temperature fuse / PTC / fail-safe
- * up to and including 3 VA short circuit proof; from 3,2 VA and up short circuit proof und condition with temperature fuse
- * optional: vacuum potted in encapsulated version; then $0,95 \times P_{ab}$
- * housing UI 30 and UI 39Si also without distance nops (h - 0,8 mm)

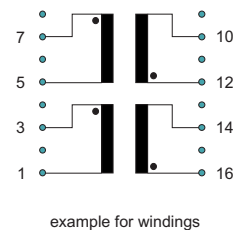
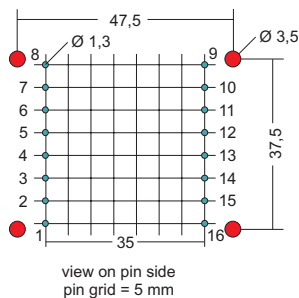
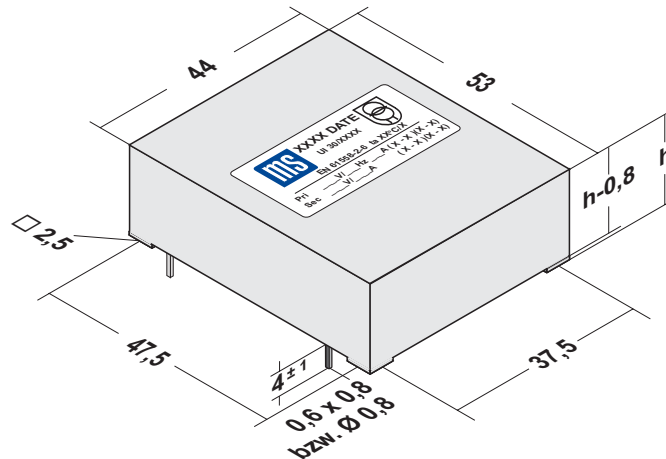


type	pins	dimensions [mm]			power [VA]			
		length L	width B	height h	ta 40°C/B		ta 70°C/B	
					compact	economy	compact	economy
UI 30/5,5	2 x 8	53	44	17,1	3,8	3,2	3,0	2,4
UI 30/7,5	2 x 8	53	44	19,1	5,5	4,5	4,0	3,2
UI 30/10,5	2 x 8	53	44	22,6	8,0	6,5	6,0	4,8
UI 30/16,5	2 x 8	53	44	28,5	13	11	10	8
UI 30/26	2 x 8	53	44	38,4	20	17	16	12
UI 39/8	2 x 10	68,2	57,3	23	13	11	10	8
UI 39/10,2	2 x 10	68,2	57,3	25,2	18	15	14	11
UI 39/13,5	2 x 10	68,2	57,3	28,5	24	19	18	14
UI 39/17	2 x 10	68,2	57,3	32	31	25	24	18
UI 39/21	2 x 10	68,2	57,3	36	38	31	30	23
UI 39Si/8	2 x 10	68	57,2	22,2	12	9,5	9	7
UI 39Si/10,2	2 x 10	68	57,2	24,3	17	13,5	13	10
UI 39Si/13,5	2 x 10	68	57,2	27,6	22,5	17,5	16	12,5
UI 39Si/17	2 x 10	68	57,2	31,3	28	22,5	21	16
UI 39Si/21	2 x 10	68	57,2	35,3	35	28	26	20
UI 48/17	2 x 12	83	70	38,5	62	52	48	40
UI 48/26	2 x 12	83	70	46	90	75	70	60

type UI 30 potted

2,4 ... 20 VA


 (approvals in preparation)




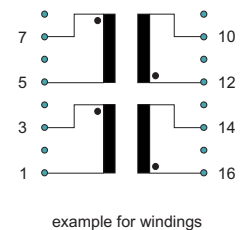
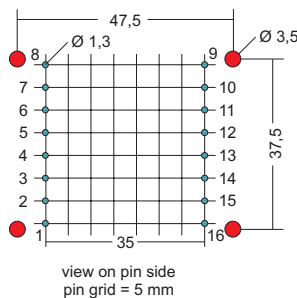
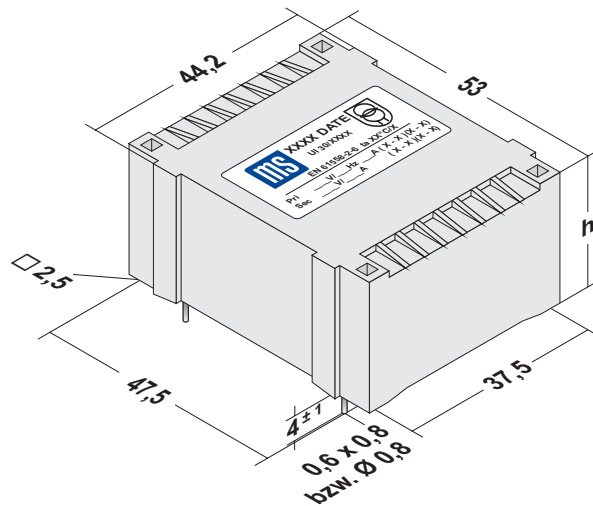
UI 30	type size [mm]	height h [mm]	power [VA]			
			ta 40°C/B		ta 70°C/B	
			compact	economy	compact	economy
	UI 30/5,5	17,1	3,8	3,2	3,0	2,4
	UI 30/7,5	19,1	5,5	4,5	4,0	3,2
	UI 30/10,5	22,6	8,0	6,5	6,0	4,8
	UI 30/16,5	28,5	13	11	10	8
	UI 30/26	38,4	20	17	16	12

- * up to and including 3 VA short circuit proof; from 3,2 VA and up short circuit proof und condition with temperature fuse
- * safety transformer satisfying EN 60742 (VDE 0551) / EN 61558-2-6 (U_o < 50 V)
- * construction in vacuum potted double chamber style
- * complete construction with UL-approved material
- * U_o > 50 V: insulating transformer satisfying EN 61558-2-4
- * automated production yields highest reliability
- * advantageous price / quality ratio
- * optional: temperature fuse / PTC / fail-safe
- * optional: until UI 30/16,5 vacuum potted in encapsulated version; then 0,95 x P_{ab}
- * mounting with screw B2,9 x 9,5 by solder side possible

type UI 30 NEW

2,4 ... 13 VA


 (approvals in preparation)




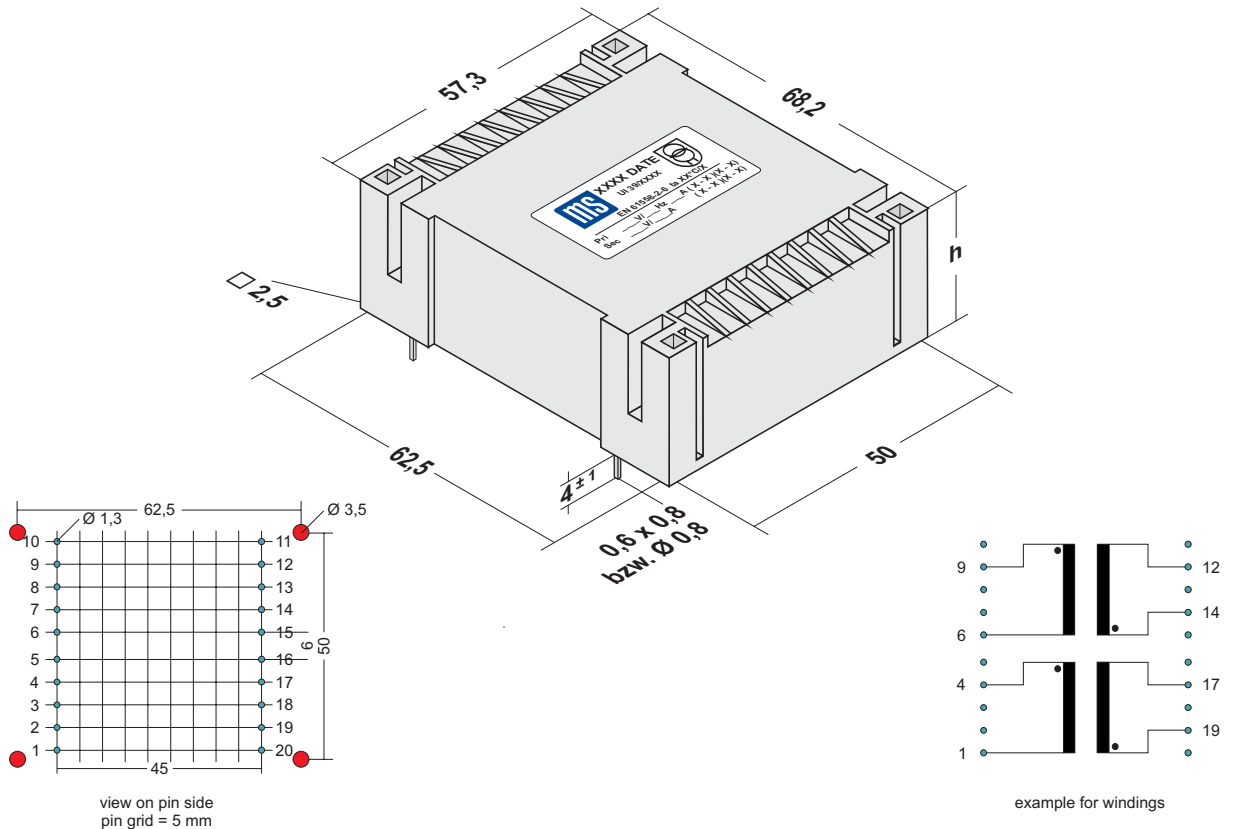
UI 30	type size [mm]	height h [mm]	power [VA]			
			ta 40°C/B		ta 70°C/B	
			compact	economy	compact	economy
	UI 30/5,5	17,8	3,8	3,2	3,0	2,4
	UI 30/7,5	19,8	5,5	4,5	4,0	3,2
	UI 30/10,5	22,8	8,0	6,5	6,0	4,8
	UI 30/16,5	28,8	13,0	11,0	10,0	8,0

- * up to and including 3 VA short circuit proof; from 3,2 VA and up short circuit proof und condition with temperature fuse
- * safety transformer satisfying EN 60742 (VDE 0551) / EN 61558-2-6 (U_o < 50 V)
- * construction in vacuum potted double chamber style
- * complete construction with UL-approved material
- * U_o > 50 V: insulating transformer satisfying EN 61558-2-4
- * automated production yields highest reliability
- * advantageous price / quality ratio
- * optional: temperature fuse / PTC / fail-safe
- * optional: until UI 30/16,5 vacuum potted in encapsulated version; then 0,95 x P_{ab}
- * mounting with screw B2,9 x 9,5 by solder side possible

type UI 39 potted

8 ... 38 VA


 (approvals in preparation)



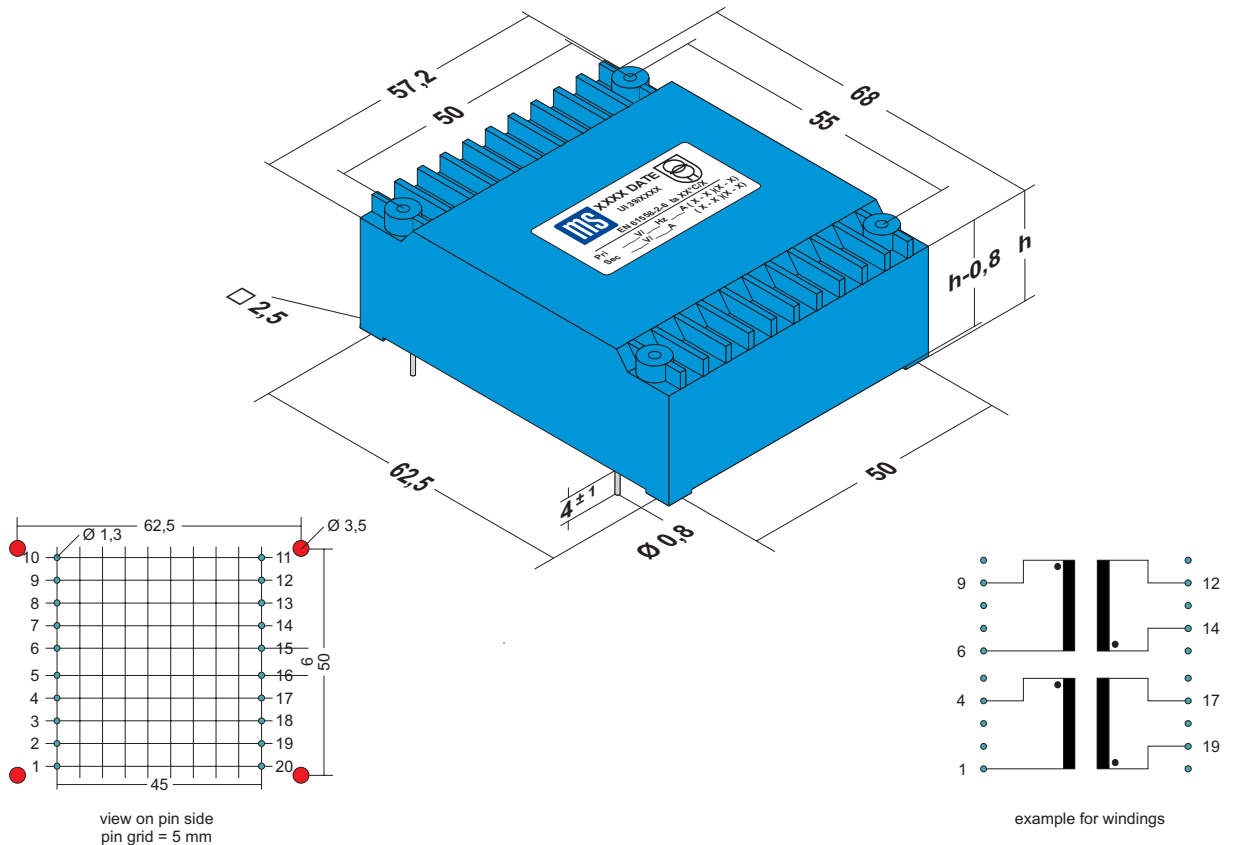
UI 39	type size [mm]	height h [mm]	power [VA]			
			ta 40°C/B		ta 70°C/B	
			compact	economy	compact	economy
	UI 39/8	23	13	11	10	8
	UI 39/10,2	25,2	18	15	14	11
	UI 39/13,5	28,5	24	19	18	14
	UI 39/17	32	31	25	24	18
	UI 39/21	36	38	31	30	23

- * safety transformer satisfying EN 60742 (VDE 0551) / EN 61558-2-6 (U_o < 50 V)
- * construction in vacuum potted double chamber style
- * complete construction with UL-approved material
- * U_o > 50 V: insulating transformer satisfying EN 61558-2-4
- * automated production yields highest reliability
- * advantageous price / quality ratio
- * optional: temperature fuse / PTC / fail-safe

type UI 39 potted encapsulated

7... 35 VA


 (approvals in preparation)



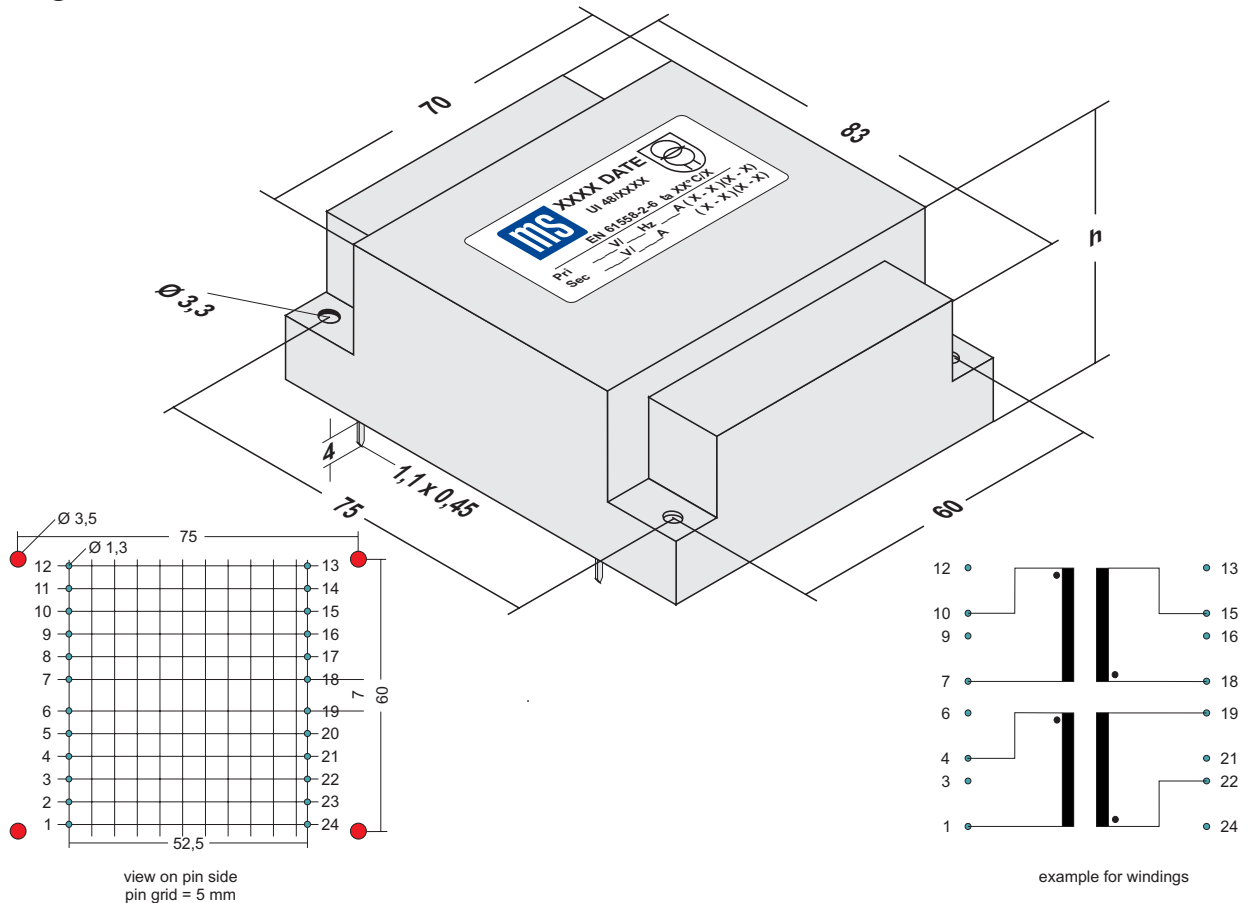
UI 39	type size [mm]	height h [mm]	power [VA]			
			ta 40°C/B		ta 70°C/B	
			compact	economy	compact	economy
	UI 39Si/8	22,2	12	9,5	9	7
	UI 39Si/10,2	24,3	17	13,5	13	10
	UI 39Si/13,5	27,6	22,5	17,5	16	12,5
	UI 39Si/17	31,3	28	22,5	21	16
	UI 39Si/21	35,3	35	28	26	20

- * safety transformer satisfying EN 60742 (VDE 0551) / EN 61558-2-6 (U_o < 50 V)
- * construction in vacuum potted double chamber style
- * complete construction with UL-approved material
- * U_o > 50 V: insulating transformer satisfying EN 61558-2-4
- * automated production yields highest reliability
- * advantageous price / quality ratio
- * optional: temperature fuse / PTC / fail-safe

type UI 48 potted

40 ... 90 VA


 (approvals in preparation)



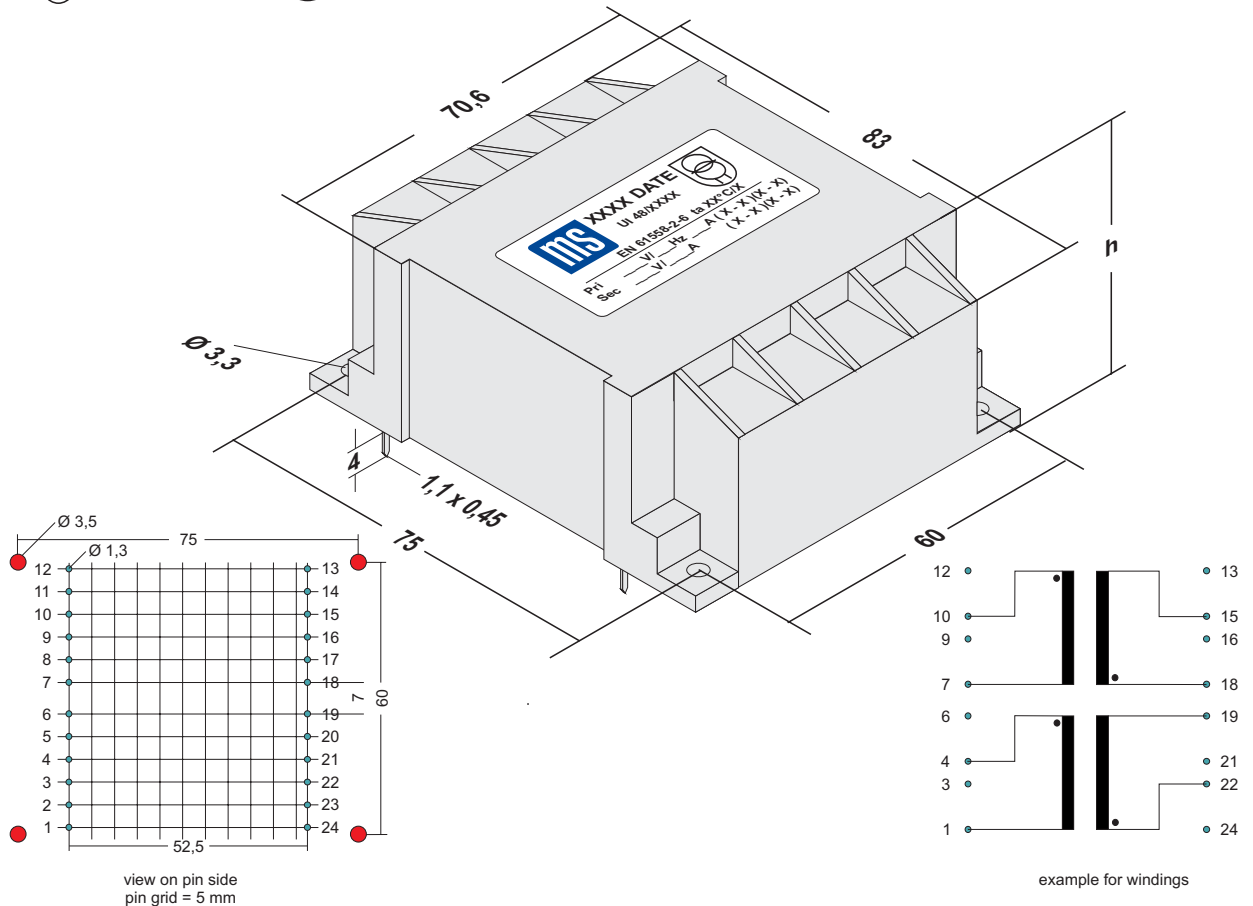
UI 48	type size [mm]	height h [mm]	power [VA]			
			ta 40°C/B		ta 70°C/B	
			compact	economy	compact	economy
	UI 48/17	38,5	62	52	48	40
	UI 48/26	46	90	75	70	60

- * safety transformer satisfying EN 60742 (VDE 0551) / EN 61558-2-6 (U_o < 50 V)
- * construction in vacuum potted double chamber style
- * complete construction with UL-approved material
- * U_o > 50 V: insulating transformer satisfying EN 61558-2-4
- * automated production yields highest reliability
- * advantageous price / quality ratio
- * optional: temperature fuse / PTC / fail-safe

type UI 48 NEW

40 ... 90 VA


 (approvals in preparation)



UI 48	type size [mm]	height h [mm]	power [VA]			
			ta 40°C/B		ta 70°C/B	
			compact	economy	compact	economy
UI 48/17	38,5	62	52	48	40	
UI 48/26	46	90	75	70	60	

- * safety transformer satisfying EN 60742 (VDE 0551) / EN 61558-2-6 (U_o < 50 V)
- * construction in vacuum potted double chamber style
- * complete construction with UL-approved material
- * U_o > 50 V: insulating transformer satisfying EN 61558-2-4
- * automated production yields highest reliability
- * advantageous price / quality ratio
- * optional: temperature fuse / PTC / fail-safe