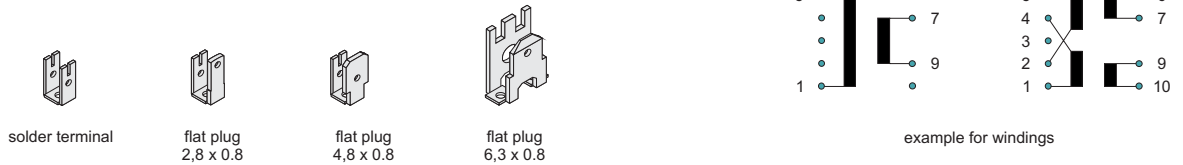
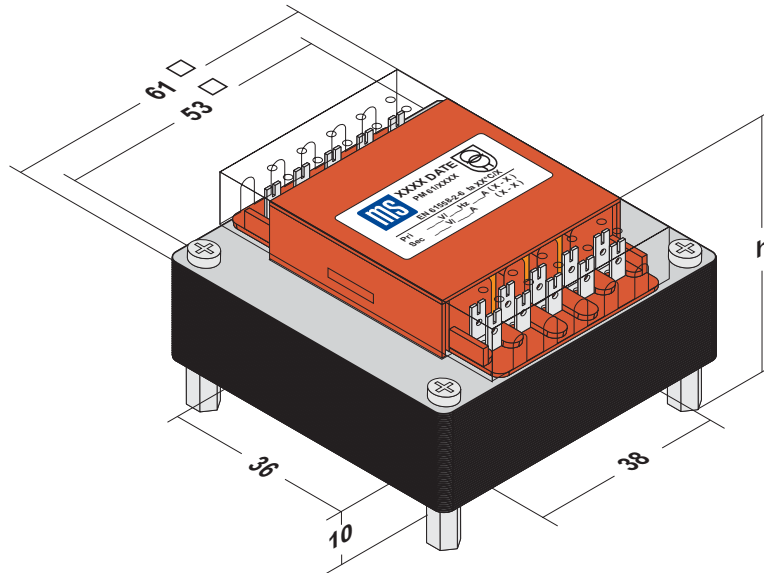


# type PM 61 LP encapsulated

18 ... 35 VA



PM 61	type size [ mm ]	height h [ mm ]	power [ VA ]			
			ta 40°C/B		ta 70°C/B	
			compact	economy	compact	economy
	PM 61LP/21,7	46,5	28	24	21	18
	PM 61LP/27,8	52,5	35	30	26	22,5

- \* safety transformer satisfying EN 60742 ( VDE 0551 ) / EN 61558-2-6 ( U<sub>0</sub> < 50 V )
- \* construction with fully encapsulated windings; > 8 mm separation (cr and cl) between primary and secondary
- \* approval according UL (E 182006) and CE-sign
- \* U<sub>0</sub> > 50 V: insulating transformer EN 61558-2-4
- \* automated production yields highest reliability
- \* extremely small magnetic perturbation field and very good power efficiency
- \* maximum one or two windings primary respectively until three windings secondary
- \* optional: temperature fuse / PTC / fail-safe / teperature switch
- \* optional: with 4 distance bolt M3 x 10
- \* with solder terminal - optional with flat plug 2,8x0,8 / 4,8x0,8 respectively 6,3x0,8
- \* with cable on customer specification - terminals are covered

9712

technical changes reserved

Manfred Schmelzer GmbH

Waidplatzstrasse 6-8 · D-79331 Teningen-Nimburg

phone: +49 76 63 / 94 47 -0 · fax: +49 76 63 / 94 47 -50

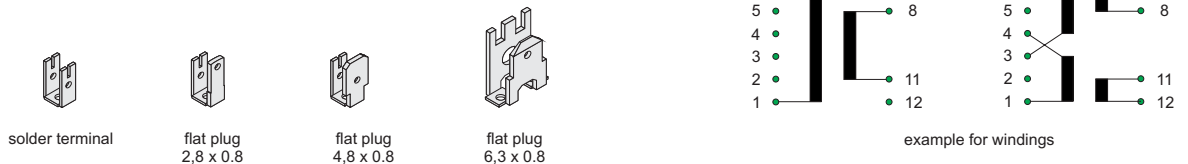
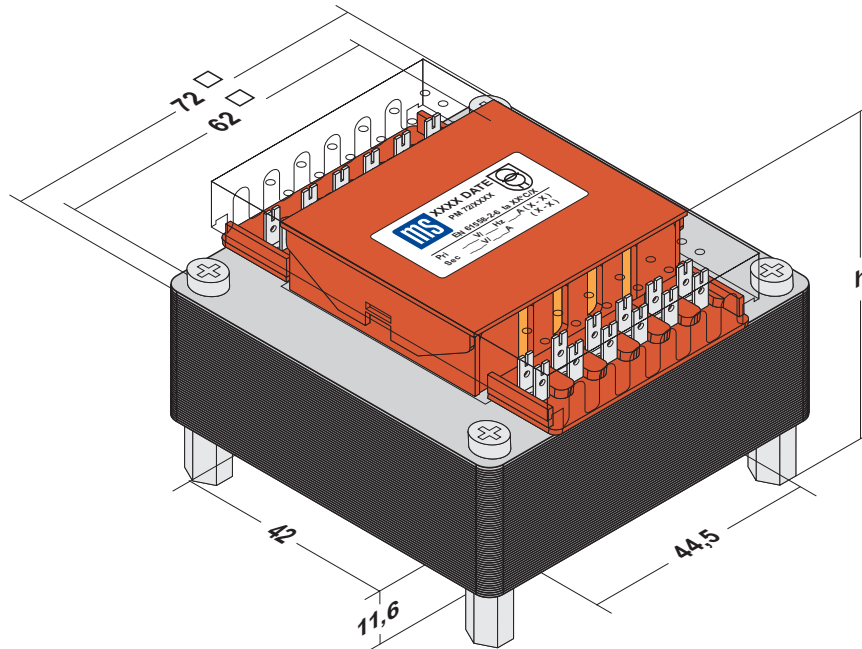
info@ms-transformers.de

www.ms-transformers.de

09.04

# type PM 72 LP encapsulated

37 ... 82 VA



PM 72	type size [ mm ]	height h [ mm ]	power [ VA ]			
			ta 40°C/B		ta 70°C/B	
			compact	economy	compact	economy
	PM 72LP/27,8	56,5	58	50	43	37
	PM 72LP/37	66	82	70	61	52

- \* safety transformer satisfying EN 60742 ( VDE 0551 ) / EN 61558-2-6 ( U<sub>0</sub> < 50 V )
- \* construction with fully encapsulated windings; > 8 mm separation (cr and cl) between primary and secondary
- \* approval according UL (E 182006) and CE-sign
- \* U<sub>0</sub> > 50 V: insulating transformer EN 61558-2-4
- \* automated production yields highest reliability
- \* extremely small magnetic perturbation field and very good power efficiency
- \* maximum one or two windings primary respectively until three windings secondary
- \* optional: temperature fuse / PTC / fail-safe / teperature switch
- \* optional: with 4 distance bolt M4 x 12
- \* with solder terminal - optional with flat plug 2,8x0,8 / 4,8x0,8 respectively 6,3x0,8
- \* with cable on customer specification - terminals are covered

9712

technical changes reserved

Manfred Schmelzer GmbH

Waidplatzstrasse 6-8 · D-79331 Teningen-Nimburg

phone: +49 76 63 / 94 47 -0 · fax: +49 76 63 / 94 47 -50

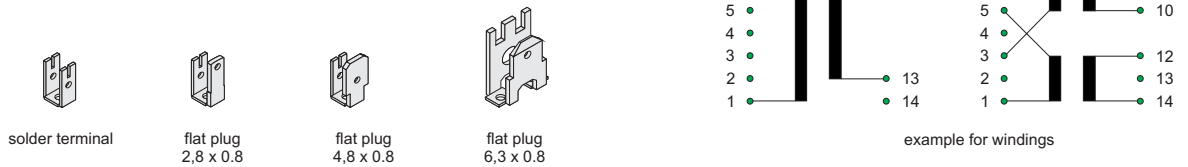
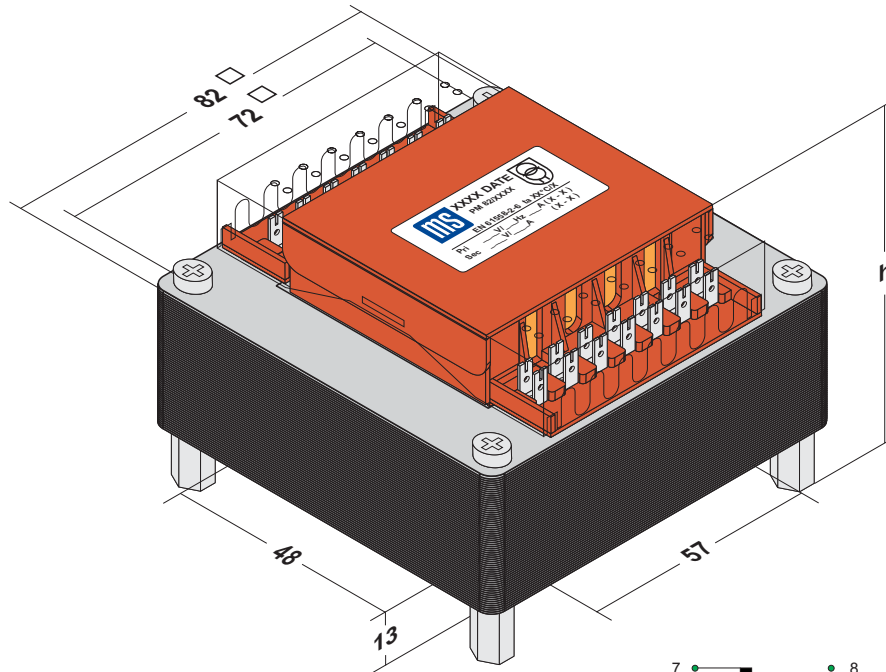
info@ms-transformers.de

www.ms-transformers.de

09.05

# type PM 82 LP encapsulated

64 ... 115 VA



PM 82	type size [ mm ]	height h [ mm ]	power [ VA ]			
			ta 40°C/B		ta 70°C/B	
			compact	economy	compact	economy
	PM 82LP/33,5	66	100	85	75	64
	PM 82LP/40	72,5	115	95	86	71

- \* safety transformer satisfying EN 60742 ( VDE 0551 ) / EN 61558-2-6 ( U<sub>0</sub> < 50 V )
- \* construction with fully encapsulated windings; > 8 mm separation (cr and cl) between primary and secondary
- \* approval according UL (E 182006) and CE-sign
- \* U<sub>0</sub> > 50 V: insulating transformer EN 61558-2-4
- \* automated production yields highest reliability
- \* extremely small magnetic perturbation field and very good power efficiency
- \* maximum one or two windings primary respectively until three windings secondary
- \* optional: temperature fuse / PTC / fail-safe / teperature switch
- \* optional: with 4 distance bolt M4 x 14
- \* with solder terminal - optional with flat plug 2,8x0,8 / 4,8x0,8 respectively 6,3x0,8
- \* with cable on customer specification - terminals are covered

9712

technical changes reserved

Manfred Schmelzer GmbH

Waidplatzstrasse 6-8 · D-79331 Teningen-Nimburg

phone: +49 76 63 / 94 47 -0 · fax: +49 76 63 / 94 47 -50

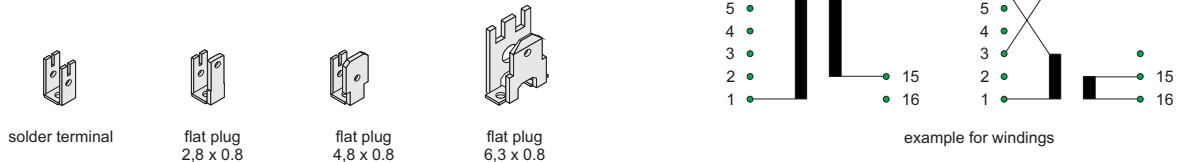
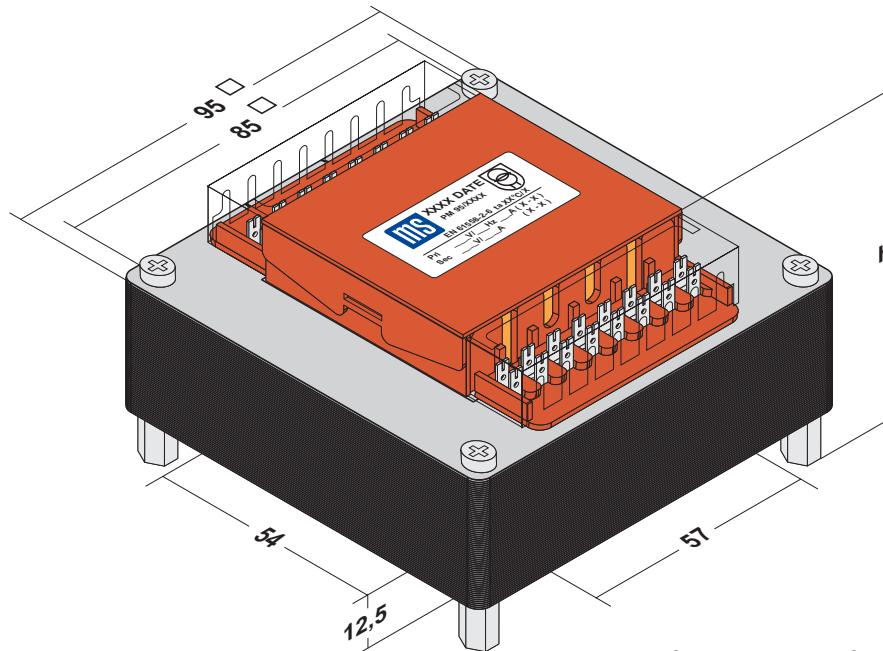
info@ms-transformers.de

www.ms-transformers.de

09.06

# type PM 95 LP encapsulated

90 ... 190 VA



PM 95	type size [ mm ]	height h [ mm ]	power [ VA ]			
			ta 40°C/B		ta 70°C/B	
			compact	economy	compact	economy
	PM 95LP/33,5	65	140	120	105	90
	PM 95LP/46,5	78	190	155	142	116

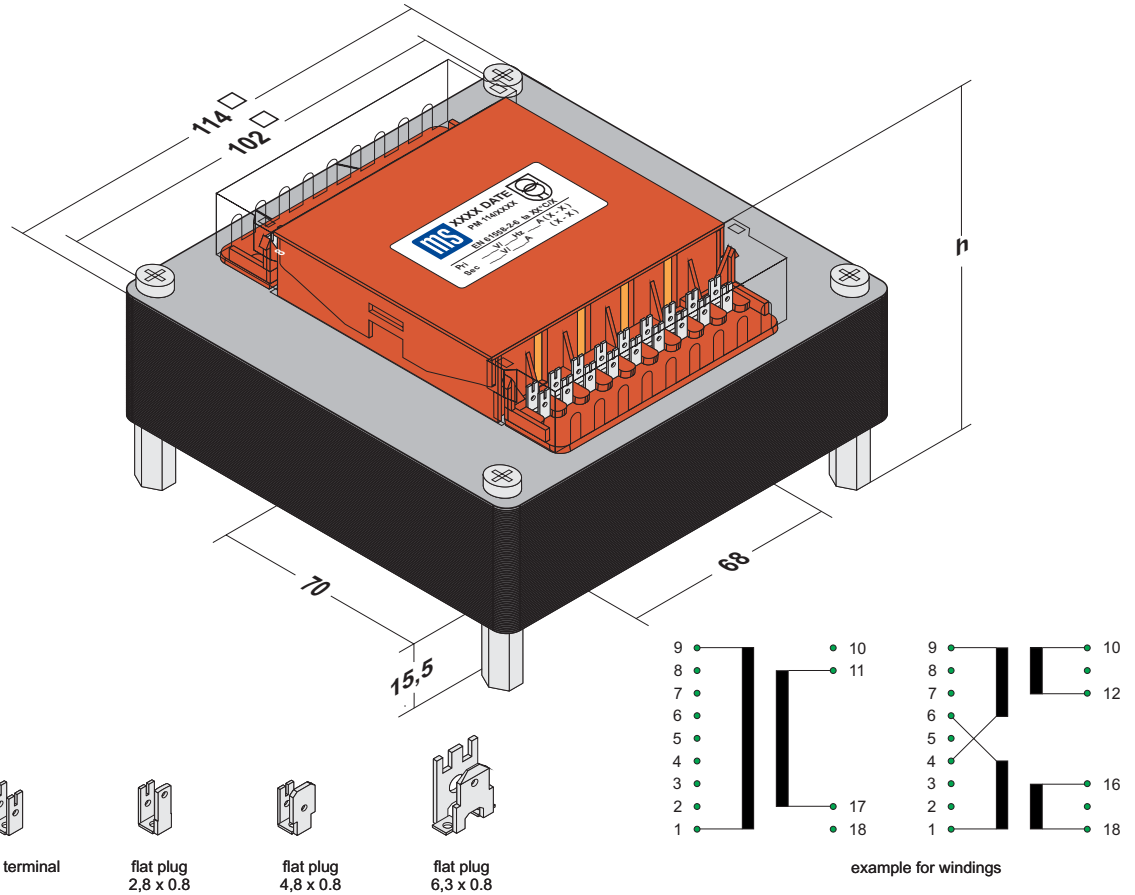
- \* safety transformer satisfying EN 60742 ( VDE 0551 ) / EN 61558-2-6 ( U<sub>0</sub> < 50 V )
- \* construction with fully encapsulated windings; > 8 mm separation (cr and cl) between primary and secondary
- \* approval according UL (E 182006) and CE-sign
- \* U<sub>0</sub> > 50 V: insulating transformer EN 61558-2-4
- \* automated production yields highest reliability
- \* extremely small magnetic perturbation field and very good power efficiency
- \* maximum one or two windings primary respectively until three windings secondary
- \* optional: temperature fuse / PTC / fail-safe / teperature switch
- \* optional: with 4 distance bolt M4 x 14
- \* with solder terminal - optional with flat plug 2,8x0,8 / 4,8x0,8 respectively 6,3x0,8
- \* with cable on customer specification - terminals are covered

9712

technical changes reserved

# type PM 114 LP encapsulated

150 ... 350 VA



PM 114	type size [ mm ]	height h [ mm ]	power [ VA ]			
			ta 40°C/B		ta 70°C/B	
			compact	economy	compact	economy
	PM 114LP/36,5	74	250	200	185	150
	PM 114LP/54	91	350	280	260	210

- \* safety transformer satisfying EN 60742 ( VDE 0551 ) / EN 61558-2-6 ( U<sub>0</sub> < 50 V )
- \* construction with fully encapsulated windings; > 8 mm separation (cr and cl) between primary and secondary
- \* approval according UL (E 182006) and CE-sign
- \* U<sub>0</sub> > 50 V: insulating transformer EN 61558-2-4
- \* automated production yields highest reliability
- \* extremely small magnetic perturbation field and very good power efficiency
- \* maximum one or two windings primary respectively until three windings secondary
- \* optional: temperature fuse / PTC / fail-safe / teperature switch
- \* optional: with 4 distance bolt M3 x 13
- \* with solder terminal - optional with flat plug 2,8x0,8 / 4,8x0,8 respectively 6,3x0,8
- \* with cable on customer specification - terminals are covered

9712

technical changes reserved

Manfred Schmelzer GmbH

Waidplatzstrasse 6-8 · D-79331 Teningen-Nimburg

phone: +49 76 63 / 94 47 -0 · fax: +49 76 63 / 94 47 -50

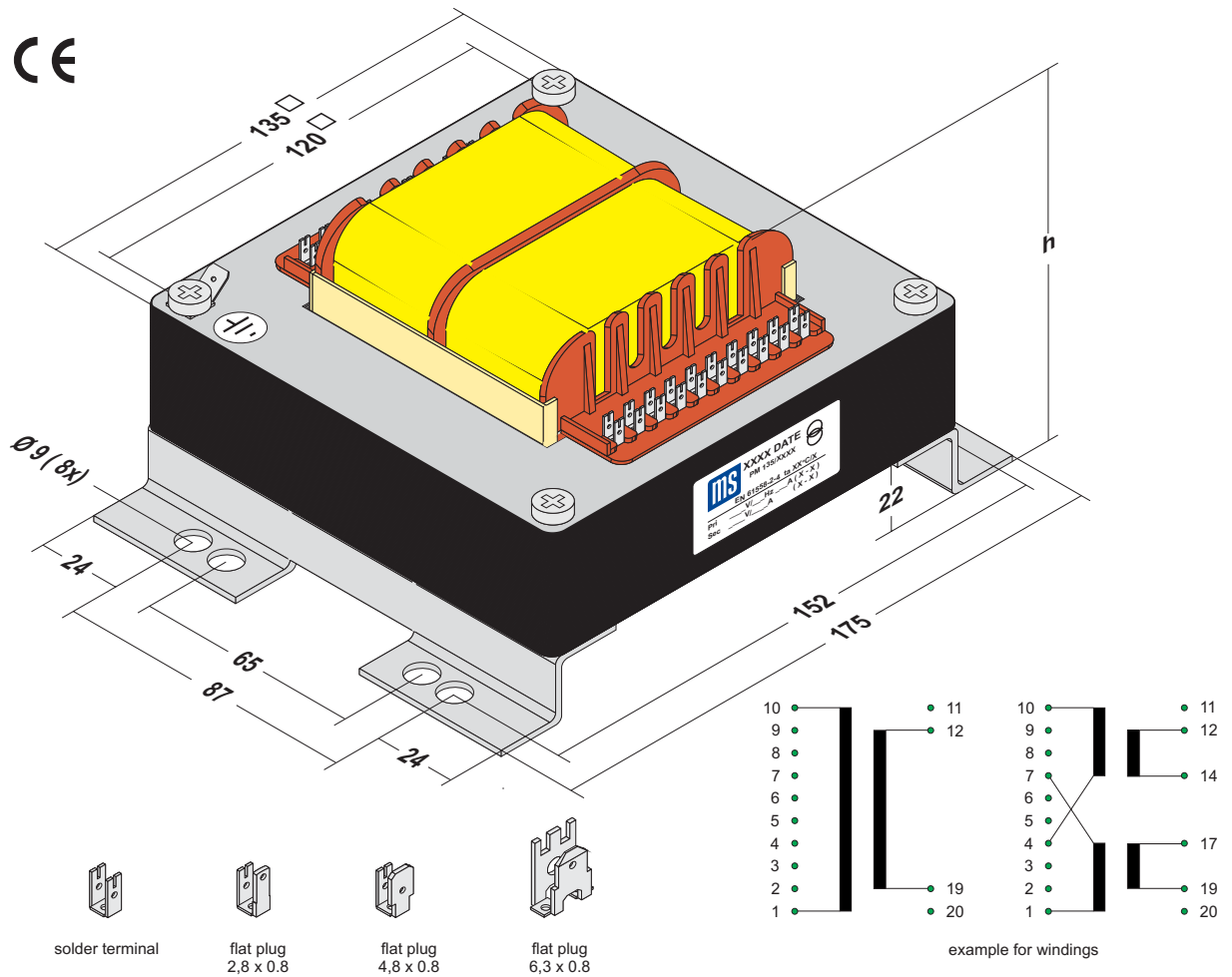
info@ms-transformers.de

www.ms-transformers.de

09.08

# type PM 135 LP

315 ... 770 VA



PM 135	type size [ mm ]	height h [ mm ]	power [ VA ]			
			ta 40°C/B		ta 70°C/B	
			compact	economy	compact	economy
	PM 135LP/40,5	90	525	425	390	315
	PM 135LP/50,5	100	630	510	470	380
	PM 135LP/64,5	115	770	615	575	460

- \* insulating transformer satisfying VDE 0550 respectively EN 61558-2-4
- \* construction in two chamber technique (see drawing)
- \* optional also in one chamber version with screen
- \* extremely small magnetic perturbation field and very good power efficiency
- \* maximum one or two windings primary respectively until five windings secondary
- \* optional: temperature switch
- \* standard with Z-angle for lying mounting
- \* with solder terminal - optional with flat plug 2,8x0,8 / 4,8x0,8 respectively 6,3x0,8