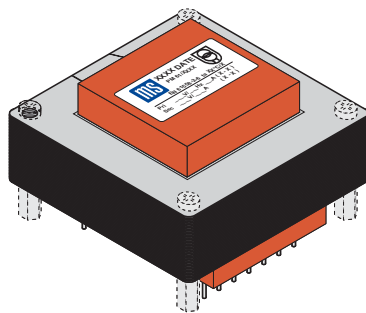


## power table pcb transformers PM and LP-series encapsulated

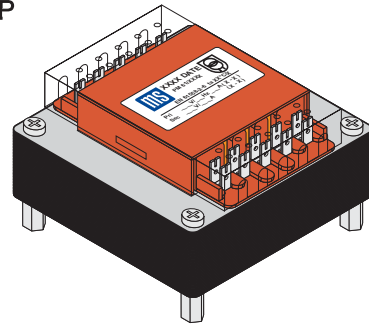
- \* safety transformer satisfying EN 60742 ( VDE 0551 ) / EN 61558-2-6 (  $U_0 < 50 \text{ V}$  )
- \* construction with fully encapsulated windings;  $> 8 \text{ mm}$  separation (cr and cl) between primary and secondary
- \* UL-approval E 182006 on demand (power reduce for UL)
- \* approval according UL (E 182006) and CE-sign
- \*  $U_0 > 50 \text{ V}$ : insulating transformer EN 61558-2-4
- \* extremely small magnetic perturbation field and very good power efficiency
- \* maximum one or two windings primary respectively until four windings secondary
- \* future fit, because recycable
- \* special version on demand
- \* optional: temperature fuse / PTC / fail-safe / teperature switch
- \* LP-version with distance bolt for screw mounting



pcb



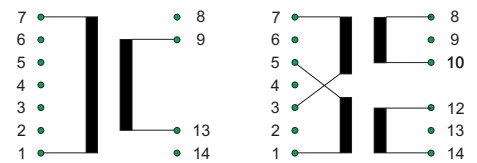
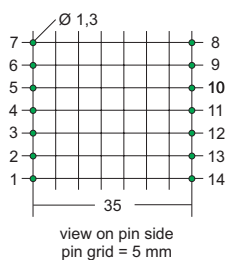
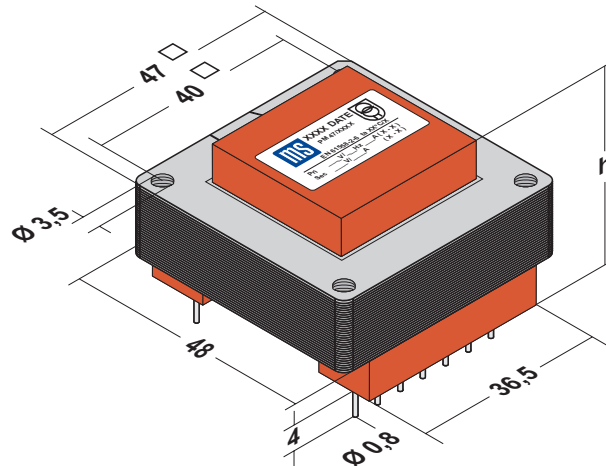
LP



type	pins	dimensions [ mm ]			power [ VA ]			
		length L	width B	height h	ta 40°C/B		ta 70°C/B	
					kompakt	economy	kompakt	economy
PM 47/15,5	2 x 7	47	47	34,5	10	8	7,5	6
PM 47/20	2 x 7	47	47	39,5	12,5	10,5	9,5	8
PM 61/21,7	2 x 7	61	61	44,5	28	24	21	18
PM 61/25,5	2 x 7	61	61	48,5	32	28	24	21
PM 61LP/21,7	2 x 5	61	61	46,5	28	24	21	18
PM 61LP/27,8	2 x 5	61	61	52,5	35	30	26	22,5
PM 72LP/27,8	2 x 6	72	72	56,5	58	50	43	37
PM 72LP/37	2 x 6	72	72	66	82	70	61	52
PM 82LP/33,5	2 x 7	82	82	66	100	85	75	64
PM 82LP/40	2 x 7	82	82	72,5	115	95	86	71
PM 95LP/33,5	2 x 8	95	95	65	140	120	105	90
PM 95LP/46,5	2 x 8	95	95	78	190	155	142	116
PM 114LP/36,5	2 x 9	114	114	74	250	200	185	150
PM 114LP/54	2 x 9	114	114	91	350	280	260	210

# type PM 47 encapsulated

6 ... 12,5 VA



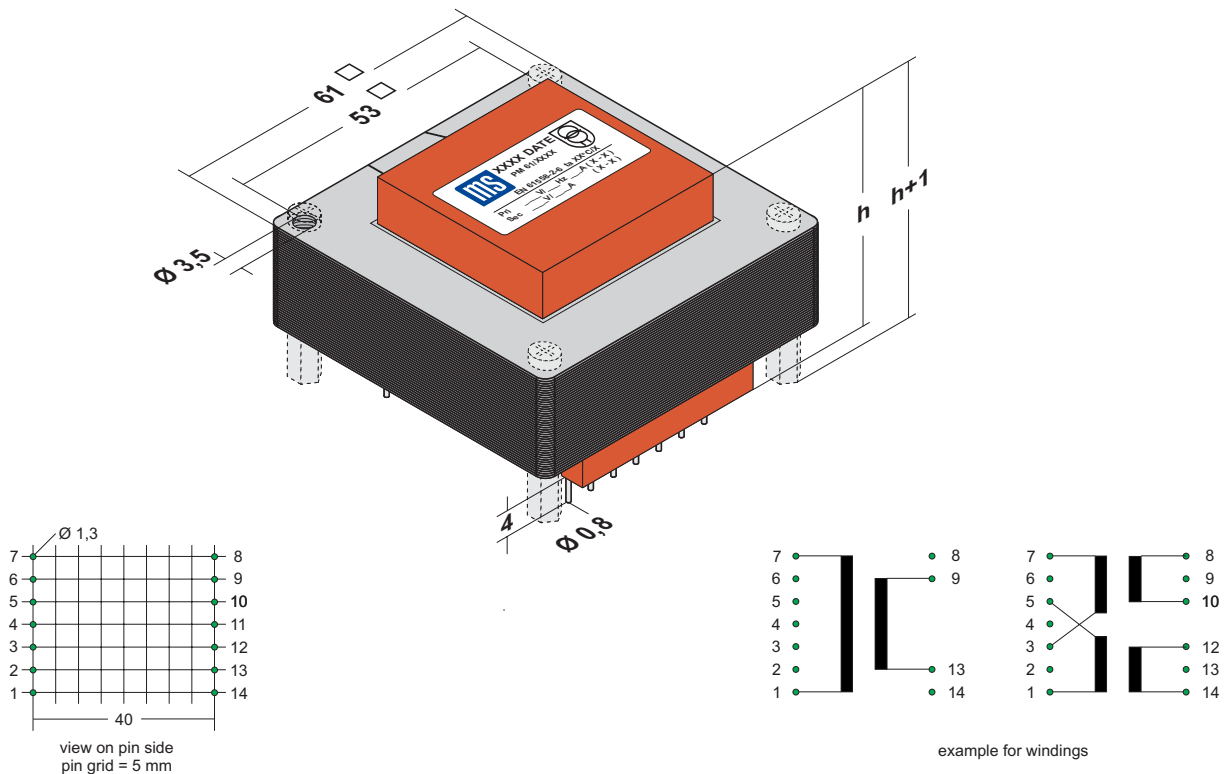
example for windings

PM 47	type size [ mm ]	height h [ mm ]	power [ VA ]			
			ta 40°C/B		ta 70°C/B	
			compact	economy	compact	economy
	PM 47/15,7	34,5	10	8	7,5	6
	PM 47/20	39,5	12,5	10,5	9,5	8

- \* safety transformer satisfying EN 60742 ( VDE 0551 ) / EN 61558-2-6 ( U<sub>o</sub> < 50 V )
- \* construction with fully encapsulated windings; > 8 mm separation (cr and cl) between primary and secondary
- \* approval according UL (E 182006) and CE-sign
- \* U<sub>o</sub> > 50 V: insulating transformer EN 61558-2-4
- \* automated production yields highest reliability
- \* extremely small magnetic perturbation field and very good power efficiency
- \* maximum one or two windings primary respectively until three windings secondary
- \* optional: temperature fuse / PTC / fail-safe / teperature switch

# type PM 61 encapsulated

18 ... 32 VA



PM 61	type size [ mm ]	height h [ mm ]	power [ VA ]			
			ta 40°C/B		ta 70°C/B	
			compact	economy	compact	economy
	PM 61/21,7	44,5	28	24	21	18
	PM 61/25,5	48,5	32	28	24	21

- \* safety transformer satisfying EN 60742 ( VDE 0551 ) / EN 61558-2-6 ( U<sub>o</sub> < 50 V )
- \* construction with fully encapsulated windings; > 8 mm separation (cr and cl) between primary and secondary
- \* approval according UL (E 182006) and CE-sign
- \* U<sub>o</sub> > 50 V: insulating transformer EN 61558-2-4
- \* automated production yields highest reliability
- \* extremely small magnetic perturbation field and very good power efficiency
- \* maximum one or two windings primary respectively until three windings secondary
- \* optional: temperature fuse / PTC / fail-safe / teperature switch
- \* optional: with 4 distance bolt M3 x 12