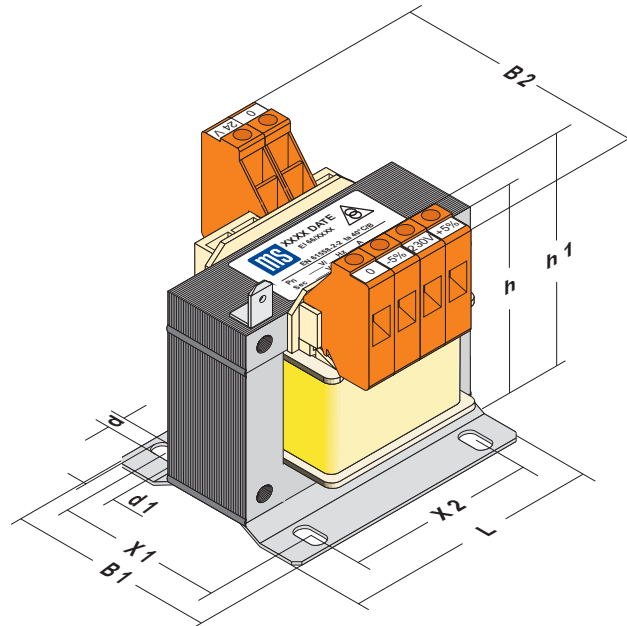


power table control transformers type EI

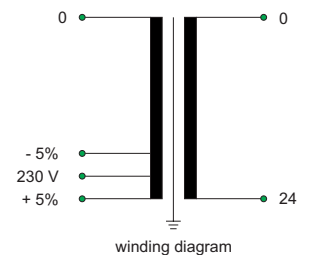
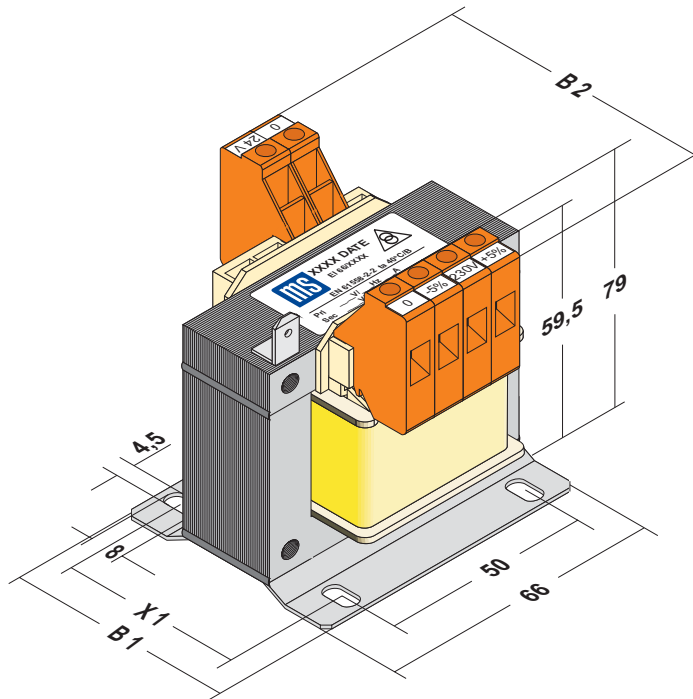
- * control transformer satisfying VDE 0550 / EN 61558-2-2
- * construction with bobbin MS-UL
- * advantageous price / quality ratio
- * standard output voltage 24 V - other/or multiple voltages on demand
- * optional with primary voltage 400 V
- * starting current approx. 10-times at style "economy" - approx. 15-times at "compact"
- * optional: temperature switch / temperature fuse / PTC / fail-safe
- * optional: satisfying VDE 0551 with approx. 5% power reduce



type	dimensions [mm]										power [VA]	
	length		width		height		hole				ta 40°C/B	
	L	B 1	B 2	h	h 1	d	d 1	X 1	X 2	compact	economy	
EI 66/23	66	53	67	59,5	79	4,8	8	42	50	41 24V/1,7A	34 24V/1,4A	
EI 66/34,7	66	63	78	59,5	79	4,8	8	55	50	53 24V/2,2A	46 24V/1,9A	
EI 66/36,2	66	63	80	59,5	79	4,8	8	55	50	55 24V/2,3A	48 24V/2,0A	
EI 75/21,5	75	59,5	74	67	86,5	4,8	9	47,5	56	48 24V/2,0A	34 24V/1,4A	
EI 75/26,5	75	59,5	79	67	86,5	4,8	9	47,5	56	63 24V/2,6A	46 24V/1,9A	
EI 75/32,7	75	65,5	85	67	86,5	4,8	9	53,5	56	82 24V/3,4A	60 24V/2,5A	
EI 75/41,5	75	74,5	94	67	86,5	4,8	9	62,5	56	108 24V/4,5A	79 24V/3,3A	
EI 78/27,5	78	59,5	70	69,5	88	4,8	9	51,5	56	72 24V/3,0A	58 24V/2,4A	
EI 78/36,5	78	68	77	69,5	88	4,8	9	63,5	56	86 24V/3,6A	74 24V/3,1A	
EI 84/29,5	84	64	73	74,5	93	4,8	8	51,5	64	96 24V/4,0A	72 24V/3,0A	
EI 84/43,5	84	76	87	74,5	93	4,8	8	63,5	64	137 24V/5,7A	108 24V/4,5A	
EI 84/52	84	86	95,5	74,5	93	4,8	8	73,5	64	168 24V/7,0A	125 24V/5,2A	
EI 96/35,7	96	81	78	86,5	105	5,8	9	65,5	84	168 24V/7,0A	139 24V/5,8A	
EI 96/45,7	96	88,3	88	86,5	105	5,8	9	72,6	84	216 24V/9,0A	180 24V/7,5A	
EI 96/59,7	96	105	102	86,5	105	5,8	9	89,8	84	276 24V/11,5A	221 24V/9,2A	

control transformer EI 66

34 ... 55 VA

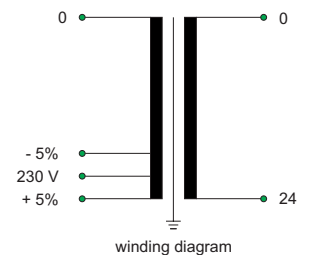
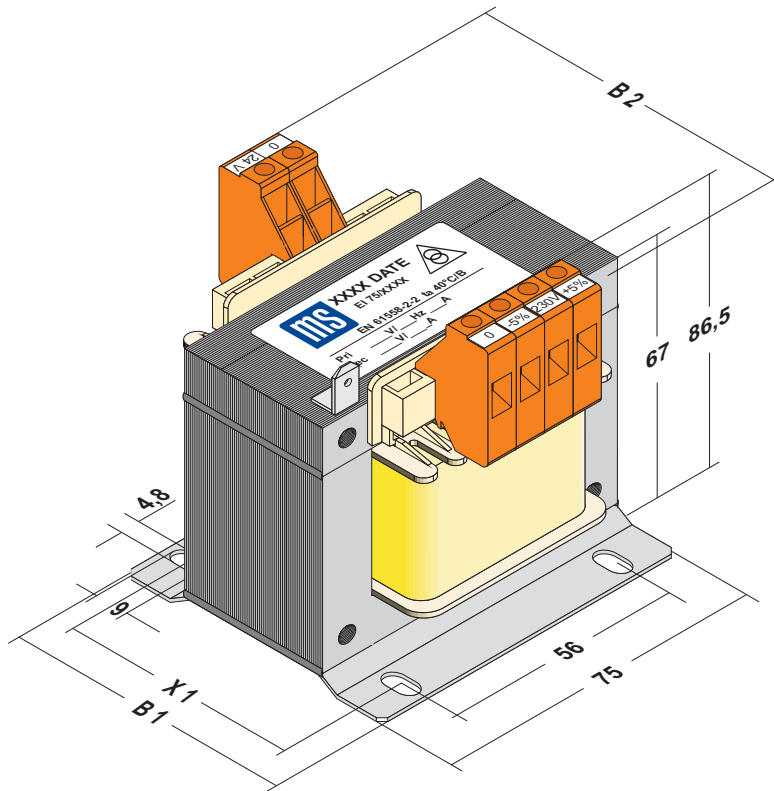


EI 66	type size	width		hole distance	power / voltage / current	
	[mm]	B 1	B 2	X 1	ta 40°C/B	
		[mm]	[mm]	[mm]	compact	economy
	EI 66/23	53	67	42	41 24V/1,7A	34 24V/1,4A
	EI 66/34,7	63	78	55	53 24V/2,2A	46 24V/1,9A
	EI 66/36,2	63	80	55	55 24V/2,3A	48 24V/2,0A

- * control transformer satisfying VDE 0550 / EN 61558-2-2
- * construction with bobbin MS-UL
- * advantageous price / quality ratio
- * standard output voltage 24 V - other/or multiple voltages on demand
- * optional with primary voltage 400 V
- * starting current approx. 10-times at style "economy" - approx. 15-times at "compact"
- * optional: temperature switch / temperature fuse / PTC / fail-safe
- * optional: satisfying VDE 0551 with approx. 5% power reduce

control transformer EI 75

34 ... 108 VA

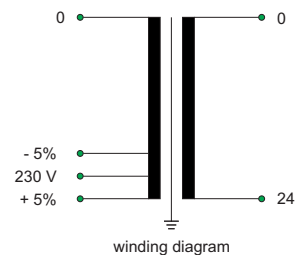
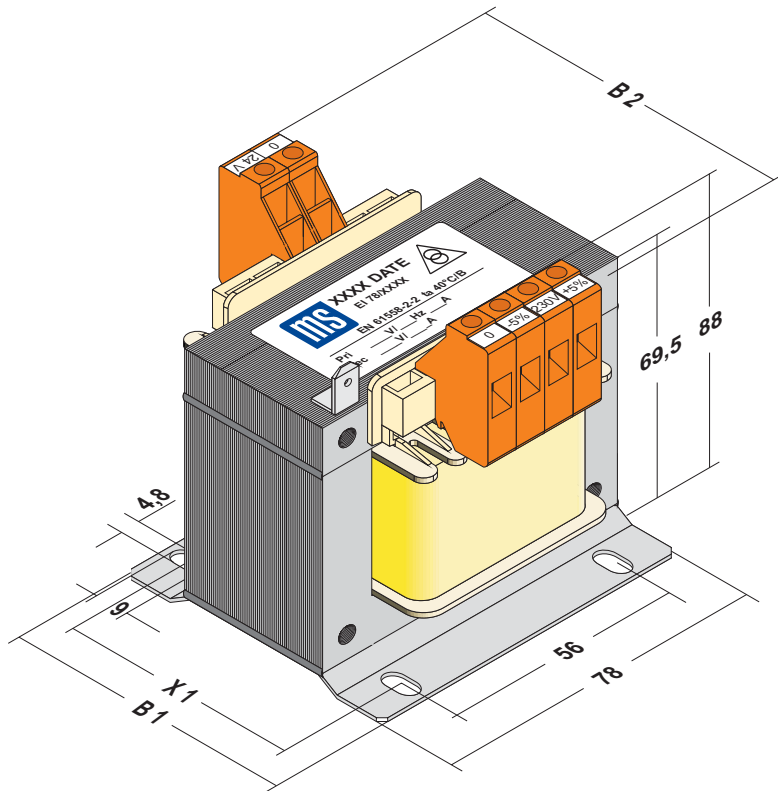


EI 75	type size	width		hole distance	power / voltage / current	
	[mm]	B 1	B 2	X 1	ta 40°C/B	
		[mm]	[mm]	[mm]	compact	economy
	EI 75/21,5	59,5	74	47,5	48 24V/2,0A	34 24V/1,4A
	EI 75/26,5	59,5	79	47,5	63 24V/2,6A	46 24V/1,9A
	EI 75/32,7	65,5	85	53,5	82 24V/3,4A	60 24V/2,5A
	EI 75/41,5	74,5	94	62,5	108 24V/4,5A	79 24V/3,3A

- * control transformer satisfying VDE 0550 / EN 61558-2-2
- * construction with bobbin MS-UL
- * advantageous price / quality ratio
- * standard output voltage 24 V - other/or multiple voltages on demand
- * optional with primary voltage 400 V
- * starting current approx. 10-times at style "economy" - approx. 15-times at "compact"
- * optional: temperature switch / temperature fuse / PTC / fail-safe
- * optional: satisfying VDE 0551 with approx. 5% power reduce

control transformer EI 78

58 ... 86 VA

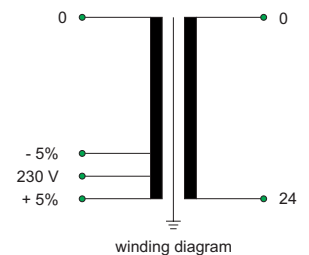
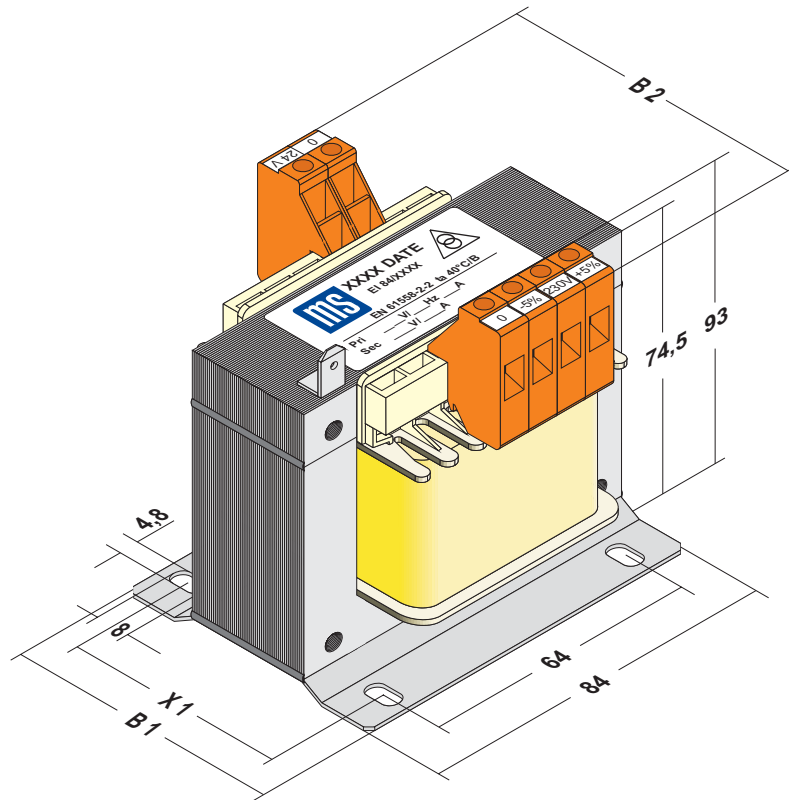


EI 78	type size	width		hole distance	power / voltage / current	
	[mm]	B 1	B 2	X 1	ta 40°C/B	
		[mm]	[mm]	[mm]	compact	economy
	EI 78/27,5	59,5	70	51,5	72 24V/3,0A	58 24V/2,4A
	EI 78/36,5	68	77	63,5	86 24V/3,6A	74 24V/3,1A

- * control transformer satisfying VDE 0550 / EN 61558-2-2
- * construction with bobbin MS-UL
- * advantageous price / quality ratio
- * standard output voltage 24 V - other/or multiple voltages on demand
- * optional with primary voltage 400 V
- * starting current approx. 10-times at style "economy" - approx. 15-times at "compact"
- * optional: temperature switch / temperature fuse / PTC / fail-safe
- * optional: satisfying VDE 0551 with approx. 5% power reduce

control transformer EI 84

72 ... 168 VA

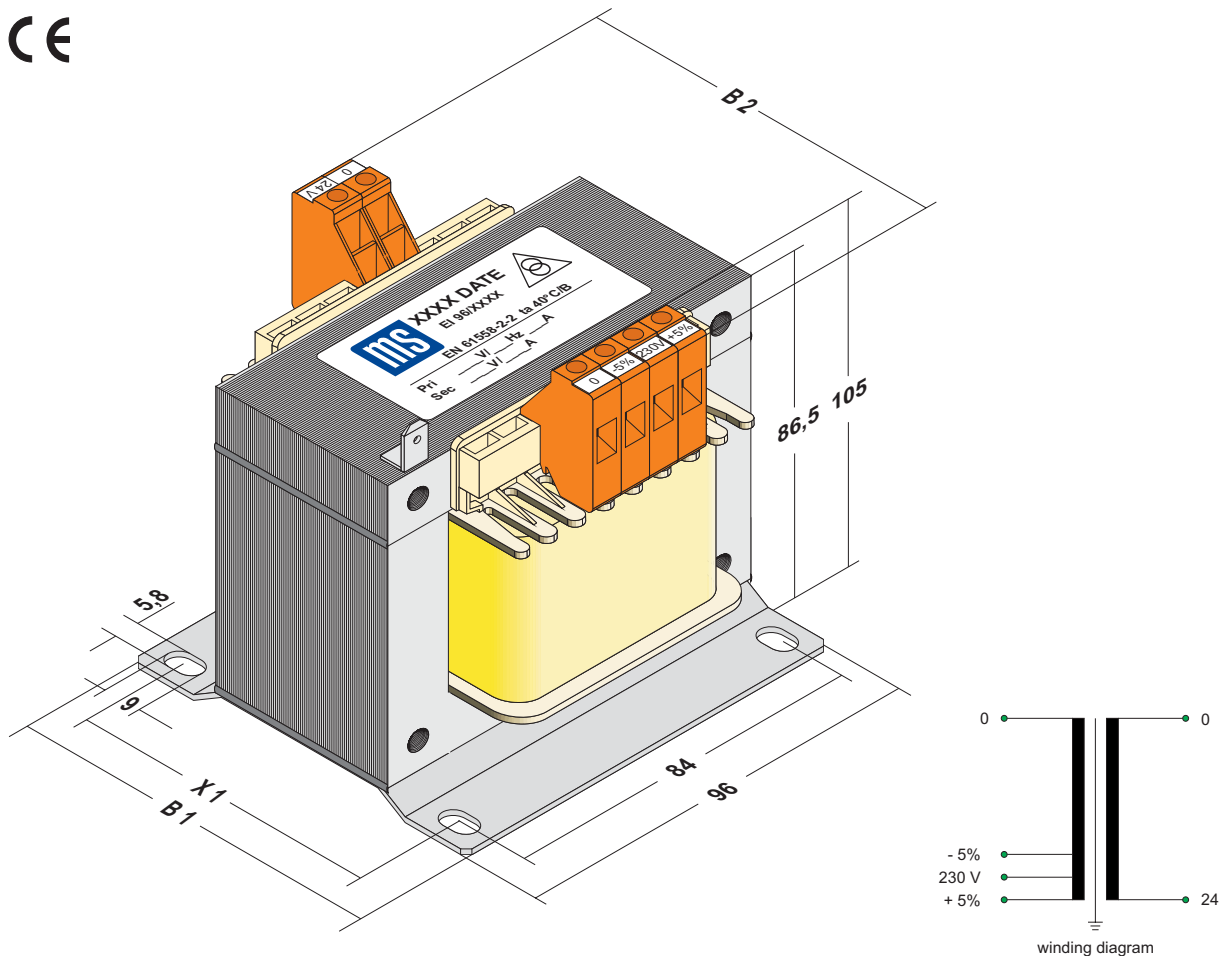


EI 84	type size	width		hole distance	power / voltage / current	
	[mm]	B 1	B 2	X 1	ta 40°C/B	
		[mm]	[mm]	[mm]	compact	economy
	EI 84/29,5	64	73	51,5	96 24V/4,0A	72 24V/3,0A
	EI 84/43,5	76	87	63,5	137 24V/5,7A	108 24V/4,5A
	EI 84/52	86	95,5	73,5	168 24V/7,0A	125 24V/5,2A

- * control transformer satisfying VDE 0550 / EN 61558-2-2
- * construction with bobbin MS-UL
- * advantageous price / quality ratio
- * standard output voltage 24 V - other/or multiple voltages on demand
- * optional with primary voltage 400 V
- * starting current approx. 10-times at style "economy" - approx. 15-times at "compact"
- * optional: temperature switch / temperature fuse / PTC / fail-safe
- * optional: satisfying VDE 0551 with approx. 5% power reduce

control transformer EI 96

139 ... 276 VA



EI 96	type size	width		hole distance	power / voltage / current	
	[mm]	B 1	B 2	X 1	ta 40°C/B	
		[mm]	[mm]	[mm]	compact	economy
	EI 96/35,7	81	78	65,3	168 24V/7,0A	139 24V/5,8A
	EI 96/45,7	88,3	88	72,6	216 24V/9,0A	180 24V/7,5A
	EI 96/59,7	105	102	89,8	276 24V/11,5A	221 24V/9,2A

- * control transformer satisfying VDE 0550 / EN 61558-2-2
- * construction with bobbin MS-UL
- * advantageous price / quality ratio
- * standard output voltage 24 V - other/or multiple voltages on demand
- * optional with primary voltage 400 V
- * starting current approx. 10-times at style "economy" - approx. 15-times at "compact"
- * optional: temperature switch / temperature fuse / PTC / fail-safe
- * optional: satisfying VDE 0551 with approx. 5% power reduce