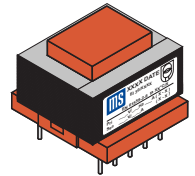


power table pcb transformers encapsulated EI

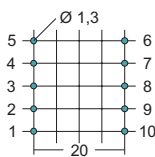
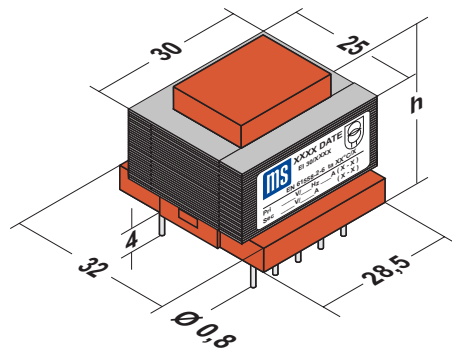
- * safety transformer satisfying EN 60742 (VDE 0551) / EN 61558-2-6 ($U_o < 50 V$)
- * construction with fully encapsulated windings; > 8 mm separation (cr and cl) between primary and secondary
- * approval according UL (E 182006) and CE-sign
- * $U_o > 50 V$: insulation transformer according EN 61558-2-4
- * maximum one or two windings primary respectively until four windings secondary
- * UL-approval E 182006 on demand (power reduction for UL)
- * advantageous price / quality ratio
- * automated production yields highest reliability
- * future fit, because recyclable
- * special version on demand
- * optional: temperature fuse / PTC / fail-safe / teperature switch from EI 66
- * optional: with 4 distance bolt (h+1), without EI 30 and EI 38



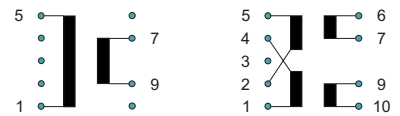
type	pins	dimensions [mm]			power [VA]			
		length L	width B	height h	ta 40°C/B		ta 70°C/B	
					compact	economy	compact	economy
EI 30/10,5	2 x 5	30	32	22	1,35	1,1	1,0	0,8
EI 30/12,5	2 x 5	30	32	24	1,7	1,45	1,25	1,05
EI 30/15,5	2 x 5	30	32	27	2,1	1,8	1,55	1,35
EI 30/18	2 x 5	30	32	30	2,5	2,2	1,9	1,7
EI 38/7,5	2 x 5	38,4	38	21	2,7	2,3	1,9	1,6
EI 38/13,5	2 x 5	38,4	38	27	4,6	3,5	3,4	2,8
EI 38/16,5	2 x 5	38,4	38	30	5,6	4,6	4,0	3,4
EI 38/20,5	2 x 5	38,4	38	34	6,7	5,6	4,7	3,9
EI 42/8,5	2 x 6	42	35,5	24	3,6	3,0	2,6	2,2
EI 42/14,8	2 x 6	42	35,5	30	6,0	4,8	4,5	3,5
EI 42/20	2 x 6	42	35,5	35,5	8,5	7,5	6,2	5,4
EI 48/12,5	2 x 6	48	43	30,5	7,5	6,0	6,0	4,5
EI 48/16,8	2 x 6	48	43	35	10,0	8,0	7,5	6,0
EI 48/20,5	2 x 6	48	43	38,5	12,0	10,0	9,5	7,5
EI 48/25,5	2 x 6	48	43	43,5	16,0	13,5	12,0	9,5
EI 54/14	2 x 7	54	45	34,5	12,0	10,0	9,0	7,5
EI 54/18,8	2 x 7	54	45	38,5	15,0	12,0	11,5	9,0
EI 54/25,5	2 x 7	54	45	46	22,0	17,0	16,5	12,5
EI 60/14	2 x 7	60	50	38,5	16,0	13,0	12,0	10,5
EI 60/21	2 x 7	60	50	43,5	22,0	20,0	16,0	15,0
EI 60/25	2 x 7	60	50	48	28,0	25,0	21,0	18,5
EI 60/30	2 x 7	60	50	53	34,0	30,0	26,0	22,0
EI 60/35	2 x 7	60	50	58	41,0	37,0	31,0	27,0
EI 66/23	2 x 8	66	55	47,5	40	33	28	24
EI 66/30	2 x 8	66	55	54,5	50	42	37	30
EI 66/35	2 x 8	66	55	59,5	54	46	40	33
EI 78/27,5	2 x 5	78	65	56,5	70	58	50	42
EI 78/36,5	2 x 5	78	65	65,5	87	74	64	53
EI 78/45,5	2 x 5	78	65	75	107	92	76	63
EI 84/29,5	2 x 7	84	70	61	100	75	72	55
EI 84/43,5	2 x 7	84	70	75	140	110	98	78

type EI 30 encapsulated

0,8 ... 2,5 VA



view on pin side
pin grid = 5 mm



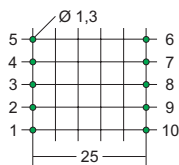
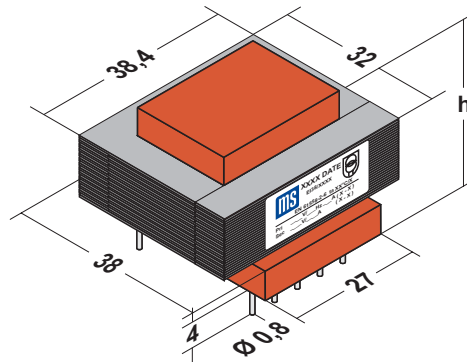
example for windings

EI 30	type size [mm]	height h [mm]	power [VA]			
			ta 40°C/B		ta 70°C/B	
			compact	economy	compact	economy
	EI 30/10,5	22	1,35	1,1	1,0	0,8
	EI 30/12,5	24	1,7	1,45	1,25	1,05
	EI 30/15,5	27	2,1	1,8	1,55	1,35
	EI 30/18	30	2,5	2,2	1,9	1,7

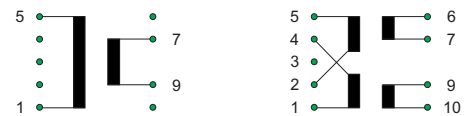
- * safety transformer satisfying EN 60742 (VDE 0551) / EN 61558-2-6 (U_o < 50 V)
- * construction with fully encapsulated windings; > 8 mm separation (cr and cl) between primary and secondary
- * approval according UL (E 182006) and CE sign
- * U_o > 50 V: insulating transformer according EN 61558-2-4
- * automated production yields highest reliability
- * advantageous price / quality ratio
- * maximum one or two windings primary respectively secondary
- * optional: temperature fuse / PTC / fail-safe

type EI 38 encapsulated

1,6 ... 6,7 VA



view on pin side
pin grid = 5 mm



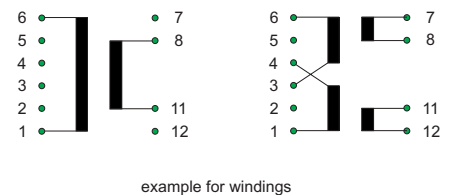
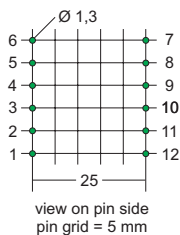
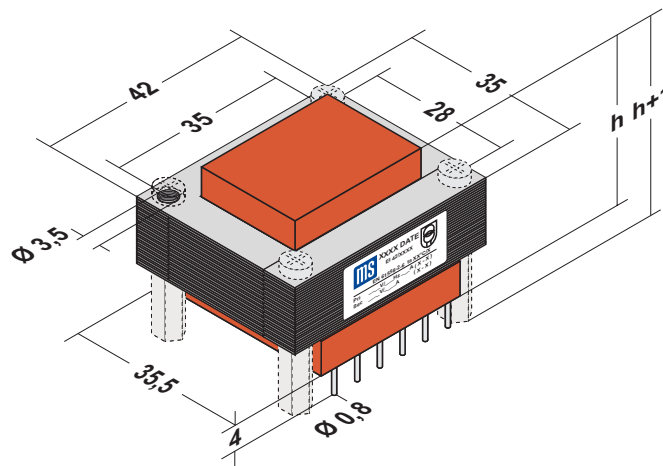
example for windings

EI 38	type size [mm]	height h [mm]	power [VA]			
			ta 40°C/B		ta 70°C/B	
			compact	economy	compact	economy
	EI 38/7,5	21	2,7	2,3	1,9	1,6
	EI 38/13,5	27	4,6	3,5	3,4	2,8
	EI 38/16,5	30	5,6	4,6	4,0	3,4
	EI 38/20,5	34	6,7	5,6	4,7	3,9

- * safety transformer satisfying EN 60742 (VDE 0551) / EN 61558-2-6 (U_o < 50 V)
- * construction with fully encapsulated windings; > 8 mm separation (cr and cl) between primary and secondary
- * approval according UL (E 182006) and CE sign
- * U_o > 50 V: insulating transformer according EN 61558-2-4
- * automated production yields highest reliability
- * advantageous price / quality ratio
- * maximum one or two windings primary respectively secondary
- * optional: temperature fuse / PTC / fail-safe

type EI 42 encapsulated

2,2 ... 8,5 VA

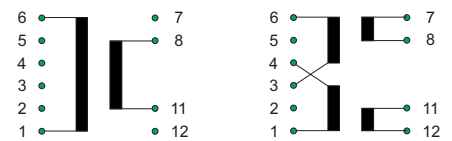
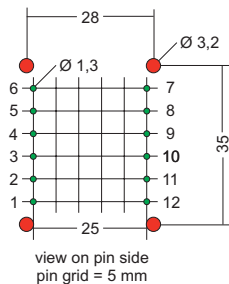
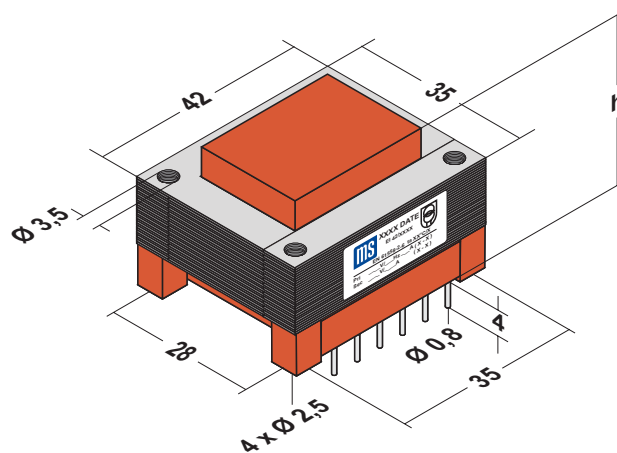


EI 42	type size [mm]	height h [mm]	power [VA]			
			ta 40°C/B		ta 70°C/B	
			compact	economy	compact	economy
	EI 42/8,5	24	3,6	3,0	2,6	2,2
	EI 42/14,8	30	6,0	4,8	4,5	3,5
	EI 42/20	35,5	8,5	7,5	6,2	5,4

- * safety transformer satisfying EN 60742 (VDE 0551) / EN 61558-2-6 (U_o < 50 V)
- * construction with fully encapsulated windings; > 8 mm separation (cr and cl) between primary and secondary
- * approval according UL (E 182006) and CE sign
- * U_o > 50 V: insulating transformer according EN 61558-2-4
- * automated production yields highest reliability
- * advantageous price / quality ratio
- * maximum one or two windings primary respectively three windings secondary
- * optional: temperature fuse / PTC / fail-safe
- * optional: with 4 distance bolt M3 x 9

type EI 42s encapsulated

3,5 ... 6,0 VA



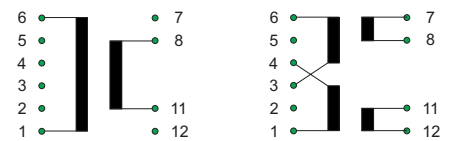
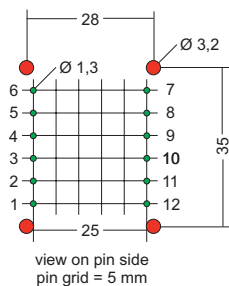
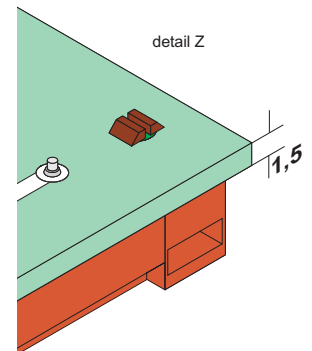
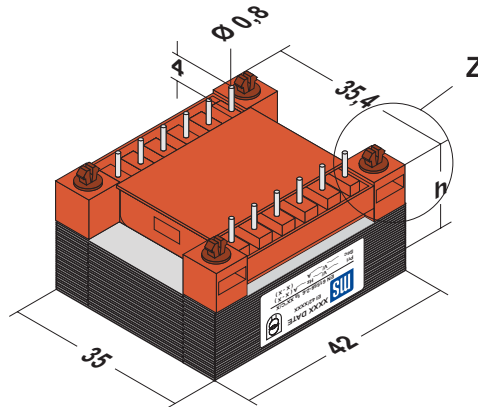
example for windings

EI 42	type size [mm]	height h [mm]	power [VA]			
			ta 40°C/B		ta 70°C/B	
			compact	economy	compact	economy
	EI 42s/14,8	30,5	6,0	4,8	4,5	3,5

- * safety transformer satisfying EN 60742 (VDE 0551) / EN 61558-2-6 (U_o < 50 V)
- * construction with fully encapsulated windings; > 8 mm separation (cr and cl) between primary and secondary
- * approval according UL (E 182006) and CE sign
- * U_o > 50 V: insulating transformer according EN 61558-2-4
- * automated production yields highest reliability
- * advantageous price / quality ratio
- * maximum one or two windings primary respectively three windings secondary
- * mounting with screw B2,9 x 9,5 from solder side
- * optional: temperature fuse / PTC / fail-safe

type EI 42r encapsulated

3,5 ... 6,0 VA



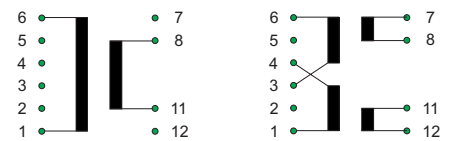
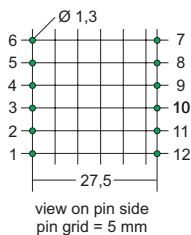
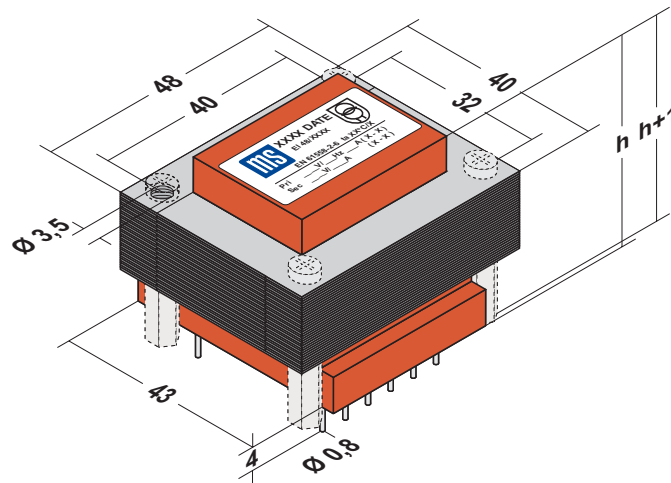
example for windings

EI 42	type size [mm]	height h [mm]	power [VA]			
			ta 40°C/B		ta 70°C/B	
			compact	economy	compact	economy
	EI 42r/14,8	30,5	6,0	4,8	4,5	3,5

- * safety transformer satisfying EN 60742 (VDE 0551) / EN 61558-2-6 (U_o < 50 V)
- * construction with fully encapsulated windings; > 8 mm separation (cr and cl) between primary and secondary
- * approval according UL (E 182006) and CE sign
- * U_o > 50 V: insulating transformer according EN 61558-2-4
- * automated production yields highest reliability
- * advantageous price / quality ratio
- * maximum one or two windings primary respectively three windings secondary
- * snap-in mounting on the pcb board
- * optional: temperature fuse / PTC / fail-safe

type EI 48 encapsulated

4,5 ... 16 VA



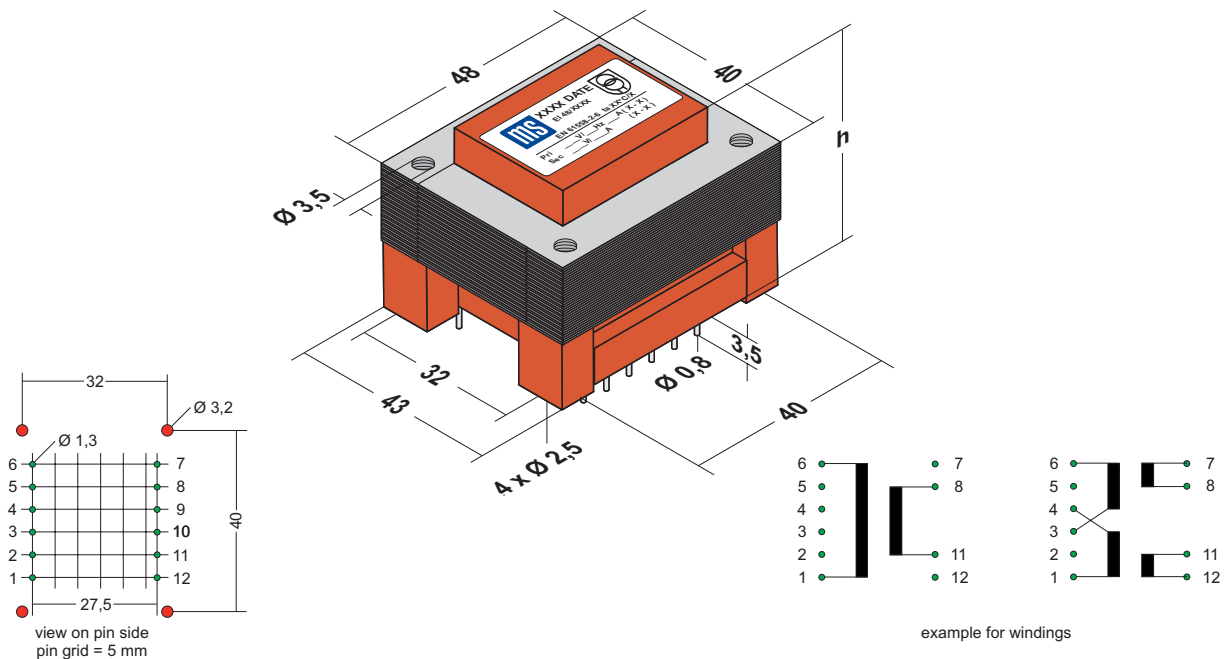
example for windings

EI 48	type size [mm]	height h [mm]	power [VA]			
			ta 40°C/B		ta 70°C/B	
			kompakt	economy	kompakt	economy
	EI 48/12,5	30,5	7,5	6,0	6,0	4,5
	EI 48/16,8	35	10,0	8,0	7,5	6,0
	EI 48/20,5	39	12,0	10,0	9,5	7,5
	EI 48/25,5	43,5	16,0	13,5	12,0	9,5

- * safety transformer satisfying EN 60742 (VDE 0551) / EN 61558-2-6 (U_o < 50 V)
- * construction with fully encapsulated windings; > 8 mm separation (cr and cl) between primary and secondary
- * approval according UL (E 182006) and CE sign
- * U_o > 50 V: insulating transformer according EN 61558-2-4
- * automated production yields highest reliability
- * advantageous price / quality ratio
- * maximum one or two windings primary respectively three windings secondary
- * optional: temperature fuse / PTC / fail-safe
- * optional: with 4 distance bolt M3 x 10

type EI 48s encapsulated

6 ... 12 VA

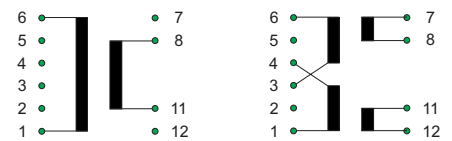
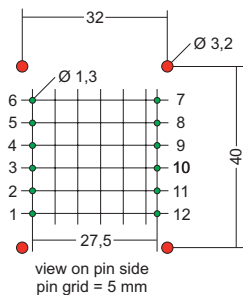
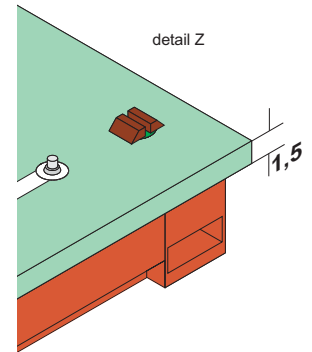
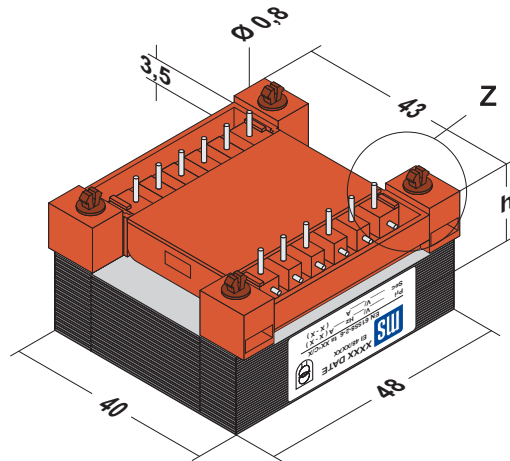


EI 48	type size [mm]	height h [mm]	power [VA]			
			ta 40°C/B		ta 70°C/B	
			kompakt	economy	kompakt	economy
	EI 48s/16,8	35	10,0	8,0	7,5	6,0
	EI 48s/20,5	39	12,0	10,0	9,5	7,5

- * safety transformer satisfying EN 60742 (VDE 0551) / EN 61558-2-6 (U_o < 50 V)
- * construction with fully encapsulated windings; > 8 mm separation (cr and cl) between primary and secondary
- * approval according UL (E 182006) and CE sign
- * U_o > 50 V: insulating transformer according EN 61558-2-4
- * automated production yields highest reliability
- * advantageous price / quality ratio
- * maximum one or two windings primary respectively three windings secondary
- * mounting with screw B2,9 x 9,5 from solder side
- * optional: temperature fuse / PTC / fail-safe

type EI 48r encapsulated

6 ... 12 VA



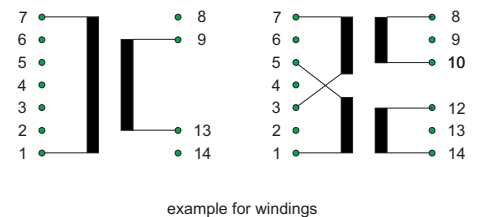
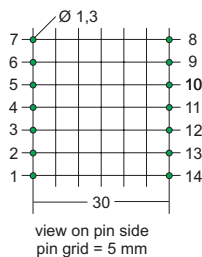
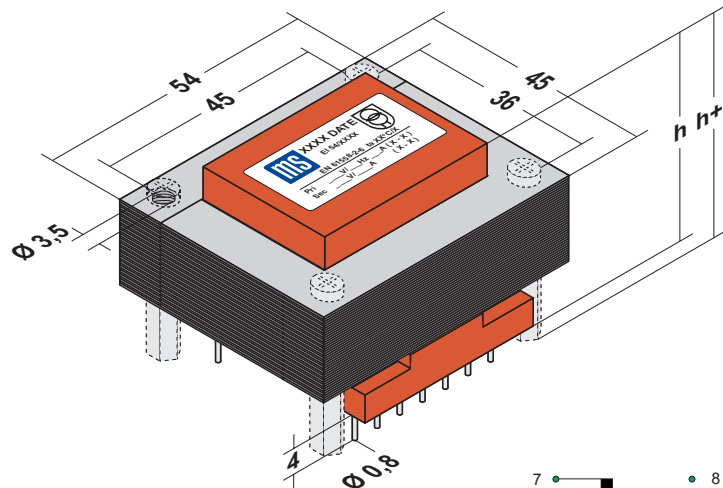
example for windings

EI 48	type size [mm]	height h [mm]	power [VA]			
			ta 40°C/B		ta 70°C/B	
			compact	economy	compact	economy
	EI 48r/16,8	35	10,0	8,0	7,5	6,0
	EI 48r/20,5	39	12,0	10,0	9,5	7,5

- * safety transformer satisfying EN 60742 (VDE 0551) / EN 61558-2-6 (U_o < 50 V)
- * construction with fully encapsulated windings; > 8 mm separation (cr and cl) between primary and secondary
- * approval according UL (E 182006) and CE sign
- * U_o > 50 V: insulating transformer according EN 61558-2-4
- * automated production yields highest reliability
- * advantageous price / quality ratio
- * maximum one or two windings primary respectively three windings secondary
- * snap-in mounting on the pcb board
- * optional: temperature fuse / PTC / fail-safe

type EI 54 encapsulated

7,5 ... 22 VA

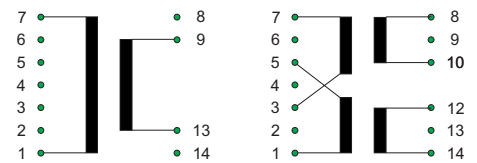
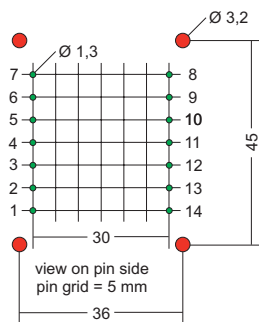
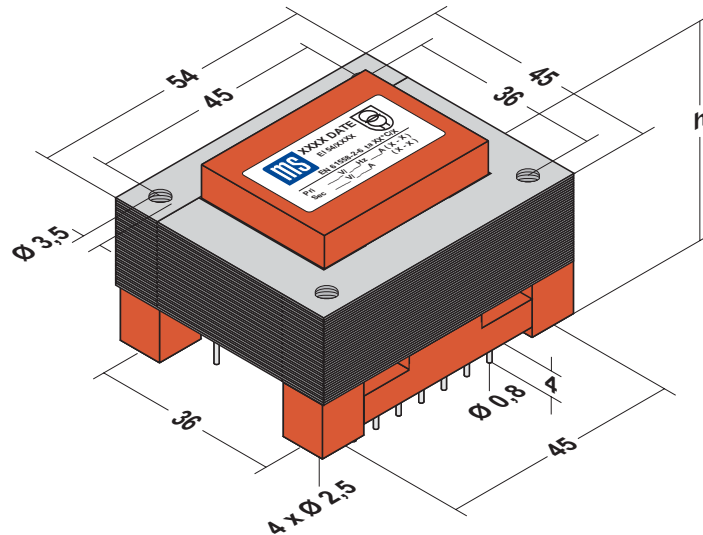


EI 54	type size [mm]	height h [mm]	power [VA]			
			ta 40°C/B		ta 70°C/B	
			compact	economy	compact	economy
	EI 54/14	34,5	12	10	9,0	7,5
	EI 54/18,8	38,5	15	12	11,5	9,0
	EI 54/25,5	46	22	17	16,5	12,5

- * safety transformer satisfying EN 60742 (VDE 0551) / EN 61558-2-6 (U_o < 50 V)
- * construction with fully encapsulated windings; > 8 mm separation (cr and cl) between primary and secondary
- * approval according UL (E 182006) and CE sign
- * U_o > 50 V: insulating transformer according EN 61558-2-4
- * automated production yields highest reliability
- * advantageous price / quality ratio
- * maximum one or two windings primary respectively three windings secondary
- * optional: temperature fuse / PTC / fail-safe
- * optional: with 4 distance bolt M3 x 12

type EI 54s encapsulated

9 ... 15 VA



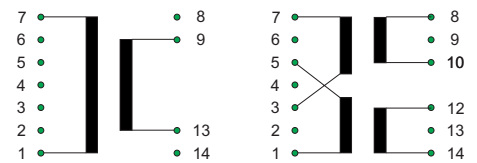
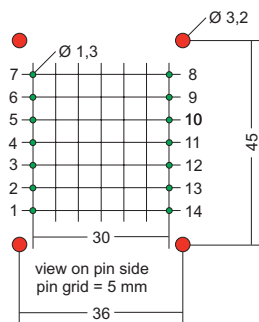
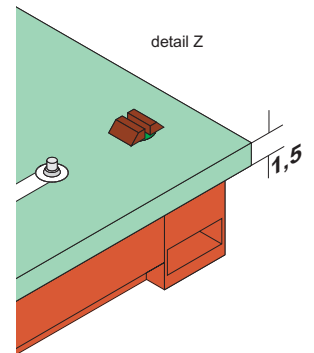
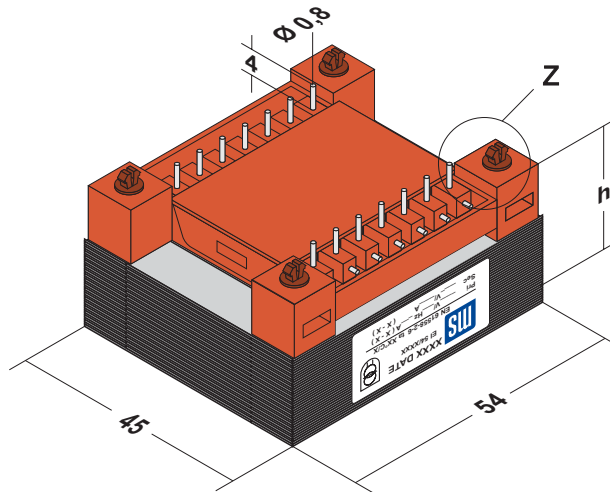
example for windings

EI 54	type size [mm]	height h [mm]	power [VA]			
			ta 40°C/B		ta 70°C/B	
			kompakt	economy	kompakt	economy
	EI 54s/18,8	40	15	12	11,5	9

- * safety transformer satisfying EN 60742 (VDE 0551) / EN 61558-2-6 (U_o < 50 V)
- * construction with fully encapsulated windings; > 8 mm separation (cr and cl) between primary and secondary
- * approval according UL (E 182006) and CE sign
- * U_o > 50 V: insulating transformer according EN 61558-2-4
- * automated production yields highest reliability
- * advantageous price / quality ratio
- * maximum one or two windings primary respectively three windings secondary
- * mounting with screw B2,9 x 9,5 from solder side
- * optional: temperature fuse / PTC / fail-safe

type EI 54r encapsulated

9 ... 15 VA



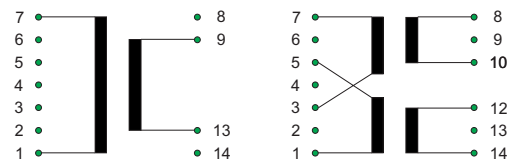
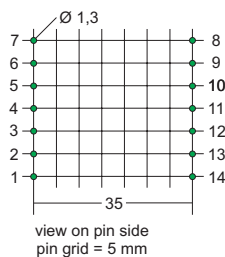
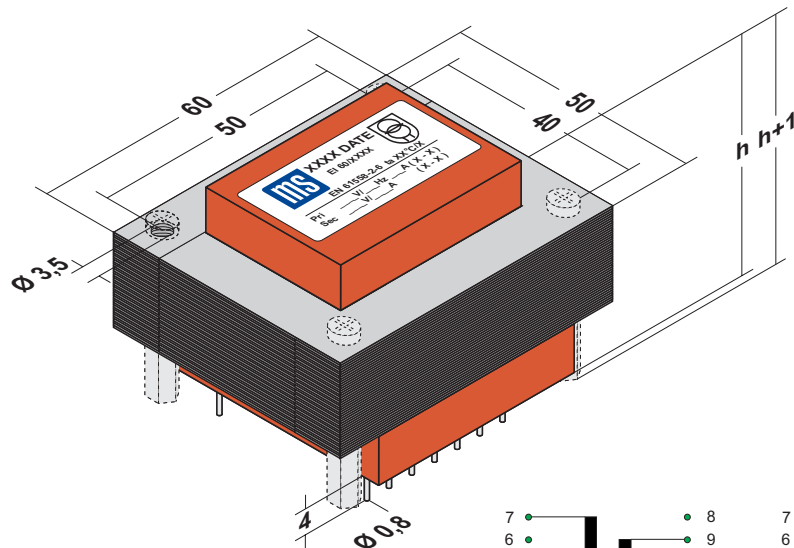
example for windings

EI 54	type size [mm]	height h [mm]	power [VA]			
			ta 40°C/B		ta 70°C/B	
			compact	economy	compact	economy
	EI 54r/18,8	40	15	12	11,5	9

- * safety transformer satisfying EN 60742 (VDE 0551) / EN 61558-2-6 (U_o < 50 V)
- * construction with fully encapsulated windings; > 8 mm separation (cr and cl) between primary and secondary
- * approval according UL (E 182006) and CE sign
- * U_o > 50 V: insulating transformer according EN 61558-2-4
- * automated production yields highest reliability
- * advantageous price / quality ratio
- * maximum one or two windings primary respectively three windings secondary
- * snap-in mounting on the pcb board
- * optional: temperature fuse / PTC / fail-safe

type EI 60 encapsulated

11 ... 41 VA



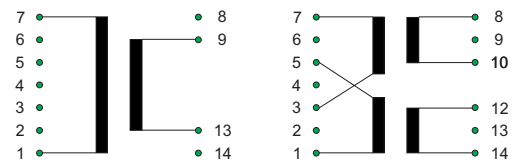
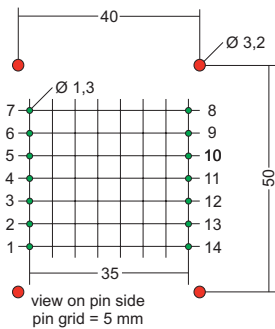
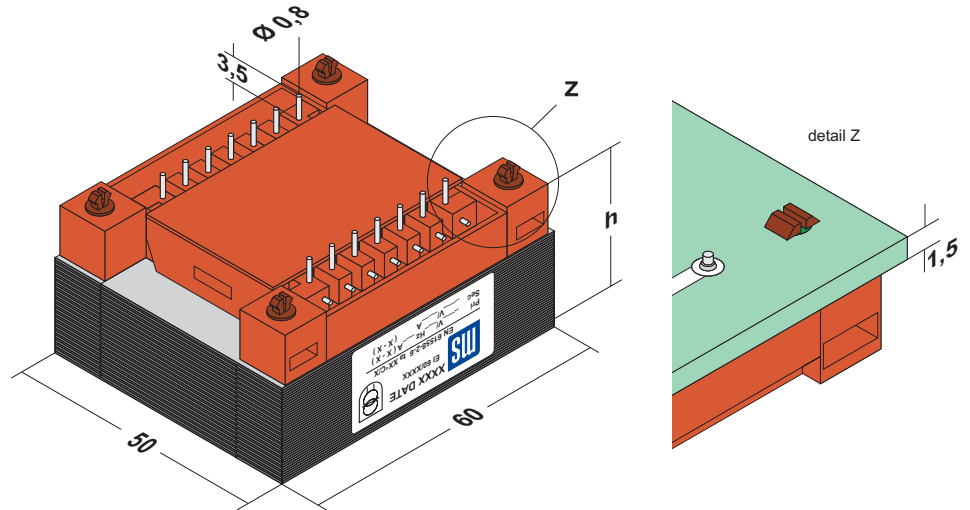
example for windings

EI 60	type size [mm]	height h [mm]	power [VA]			
			ta 40°C/B		ta 70°C/B	
			compact	economy	compact	economy
	EI 60/16	38,5	17	14	13	11
	EI 60/21	43,5	22	20	16	15
	EI 60/25	48	28	25	21	18,5
	EI 60/30	53	34	30	26	22
	EI 60/35	58	41	37	31	27

- * safety transformer satisfying EN 60742 (VDE 0551) / EN 61558-2-6 (U_o < 50 V)
- * construction with fully encapsulated windings; > 8 mm separation (cr and cl) between primary and secondary
- * approval according UL (E 182006) and CE sign
- * U_o > 50 V: insulating transformer according EN 61558-2-4
- * automated production yields highest reliability
- * advantageous price / quality ratio
- * maximum one or two windings primary respectively three windings secondary
- * optional: temperature fuse / PTC / fail-safe
- * optional: with 4 distance bolt M3 x 13

type EI 60r encapsulated

15 ... 28 VA



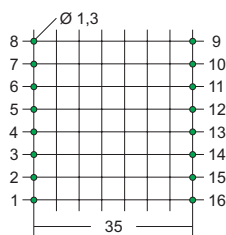
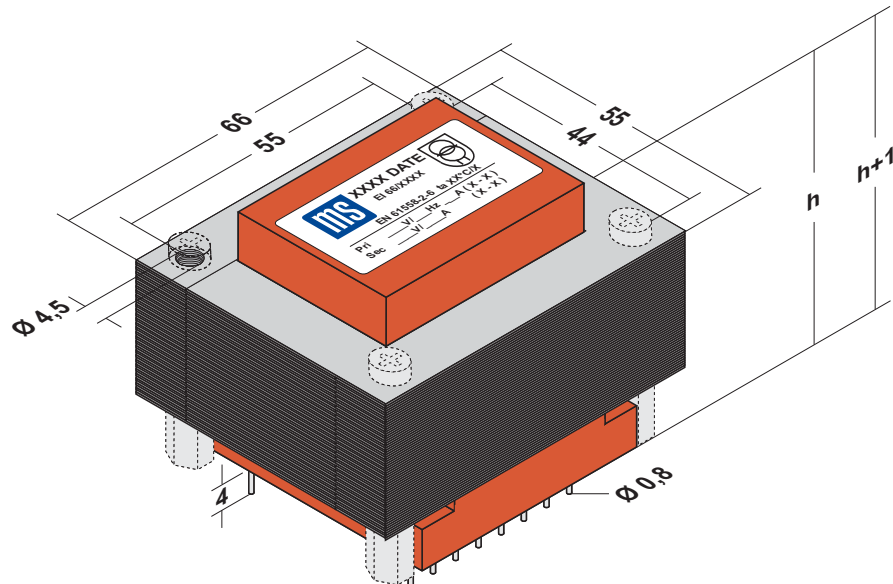
example for windings

EI 60	type size [mm]	height h [mm]	power [VA]			
			ta 40°C/B		ta 70°C/B	
			compact	economy	compact	economy
	EI 60r/21	43,5	22	20	16	15
	EI 60r/25	48	28	25	21	18,5

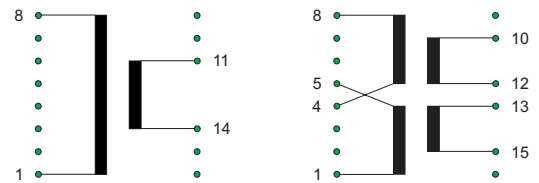
- * safety transformer satisfying EN 60742 (VDE 0551) / EN 61558-2-6 (U_o < 50 V)
- * construction with fully encapsulated windings; > 8 mm separation (cr and cl) between primary and secondary
- * approval according UL (E 182006) and CE sign
- * U_o > 50 V: insulating transformer according EN 61558-2-4
- * automated production yields highest reliability
- * advantageous price / quality ratio
- * maximum one or two windings primary respectively three windings secondary
- * snap-in mounting on the pcb board
- * optional: temperature fuse / PTC / fail-safe

type EI 66 encapsulated

21 ... 59 VA



view on pin side
pin grid = 5 mm



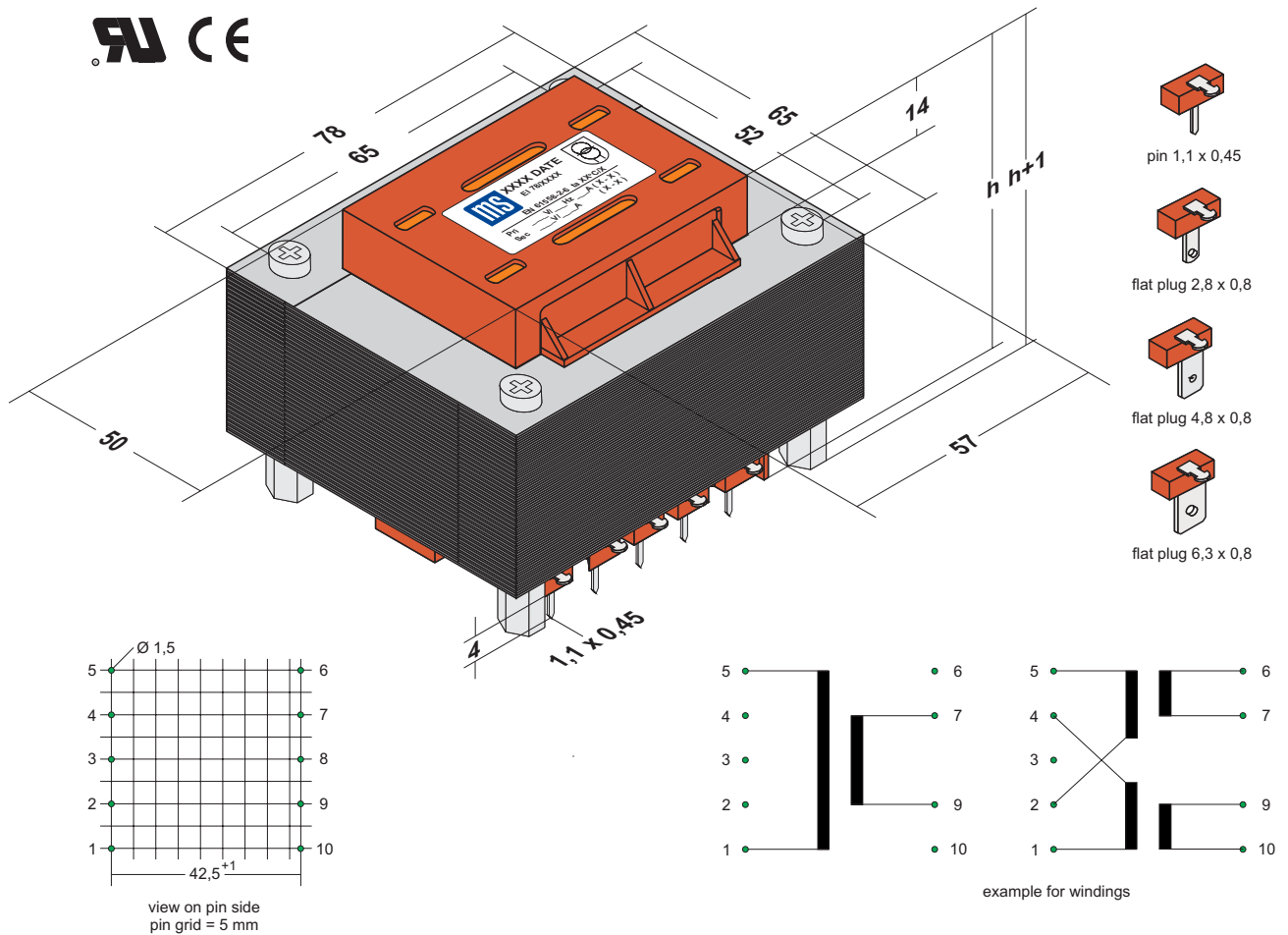
example for windings

EI 66	type size [mm]	height h [mm]	power [VA]			
			ta 40°C/B		ta 70°C/B	
			compact	economy	compact	economy
	EI 66/18	42,5	35	29	24	21
	EI 66/23	47,5	40	33	28	24
	EI 66/30	54,5	50	42	37	30
	EI 66/35	59,5	54	46	40	33
	EI 66/40	64,5	59	51	44	36

- * safety transformer satisfying EN 60742 (VDE 0551) / EN 61558-2-6 (U_o < 50 V)
- * construction with fully encapsulated windings; > 8 mm separation (cr and cl) between primary and secondary
- * approval according UL (E 182006) and CE sign
- * U_o > 50 V: insulating transformer according EN 61558-2-4
- * automated production yields highest reliability
- * advantageous price / quality ratio
- * maximum one or two windings primary respectively four windings secondary
- * optional: temperature fuse / PTC / fail-safe
- * optional: with 4 distance bolt M4 x 14

type EI 78 encapsulated

42 ... 107 VA



EI 78	type size [mm]	height h [mm]	power [VA]			
			ta 40°C/B		ta 70°C/B	
			compact	economy	compact	economy
	EI 78/27,5	56,5	70	58	50	42
	EI 78/36,5	65,5	87	74	64	53
	EI 78/45,5	75	107	92	76	65

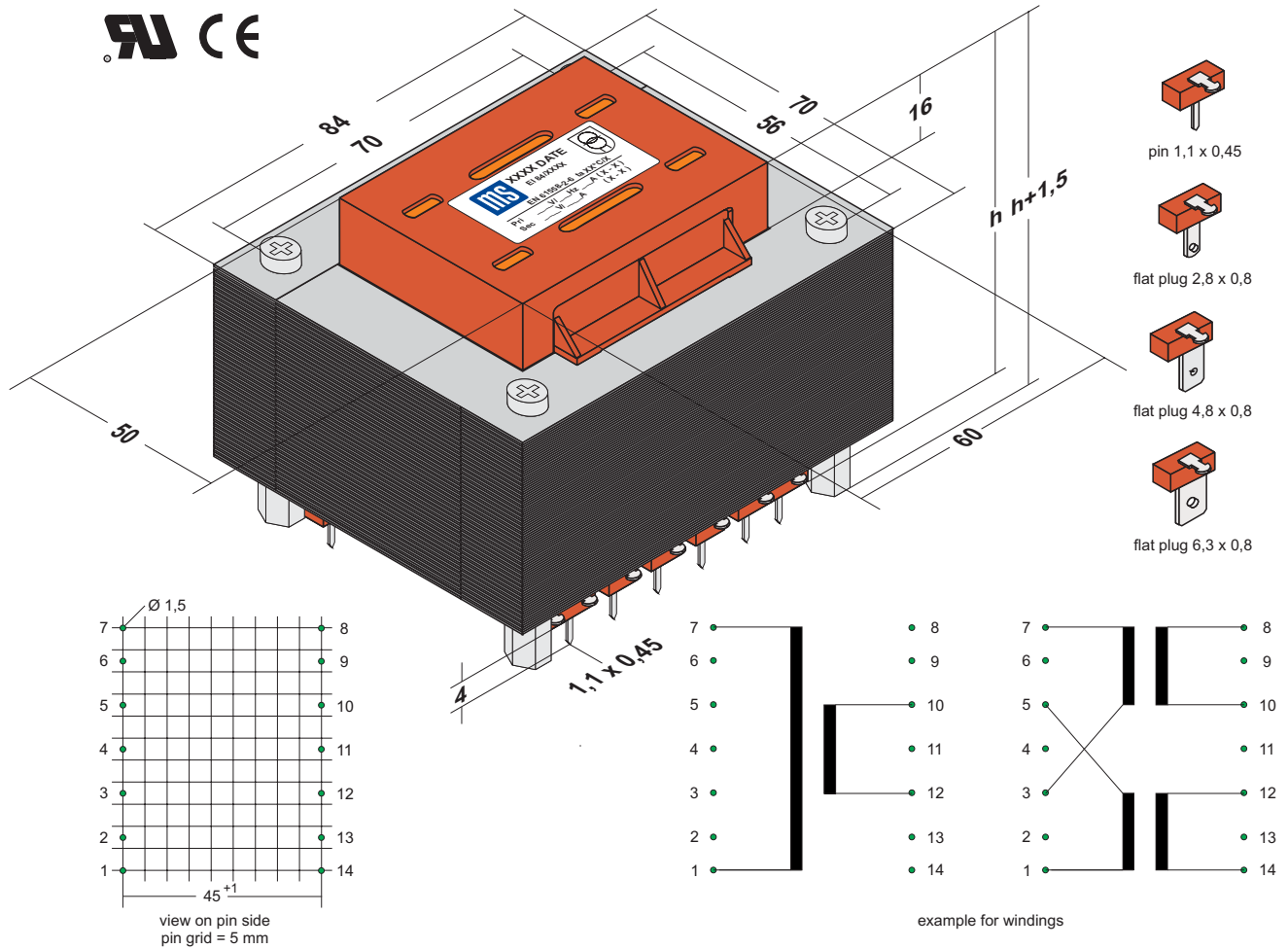
- * safety transformer satisfying EN 60742 (VDE 0551) / EN 61558-2-6 (U_o < 50 V)
- * construction with fully encapsulated windings; > 8 mm separation (cr and cl) between primary and secondary
- * approval according UL (E 182006) and CE sign
- * U_o > 50 V: insulating transformer according EN 61558-2-4
- * automated production yields highest reliability
- * advantageous price / quality ratio
- * maximum one or two windings primary respectively secondary
- * optional: temperature fuse / PTC / fail-safe
- * optional: with 4 distance bolt M4 x 16 at print version
- * optional: also with flat plugs 2,8 x 0,8 / 4,8 x 0,8 e.g. 6,3 x 0,8

9711

technical changes reserved

type EI 84 encapsulated

55 ... 140 VA



EI 84	type size [mm]	height h [mm]	power [VA]			
			ta 40°C/B		ta 70°C/B	
			compact	economy	compact	economy
EI 84/29,5	61	100	75	72	55	
EI 84/43,5	75	140	110	98	78	

- * safety transformer satisfying EN 60742 (VDE 0551) / EN 61558-2-6 ($U_o < 50 \text{ V}$)
- * construction with fully encapsulated windings; $> 8 \text{ mm}$ separation (cr and cl) between primary and secondary
- * approval according UL (E 182006) and CE sign
- * $U_o > 50 \text{ V}$: insulating transformer according EN 61558-2-4
- * automated production yields highest reliability
- * advantageous price / quality ratio
- * maximum one or two windings primary respectively three windings secondary
- * optional: temperature fuse / PTC / fail-safe
- * optional: with 4 distance bolt M4 x 18 at print version
- * optional: also with flat plugs $2,8 \times 0,8$ / $4,8 \times 0,8$ e.g. $6,3 \times 0,8$

9711

technical changes reserved