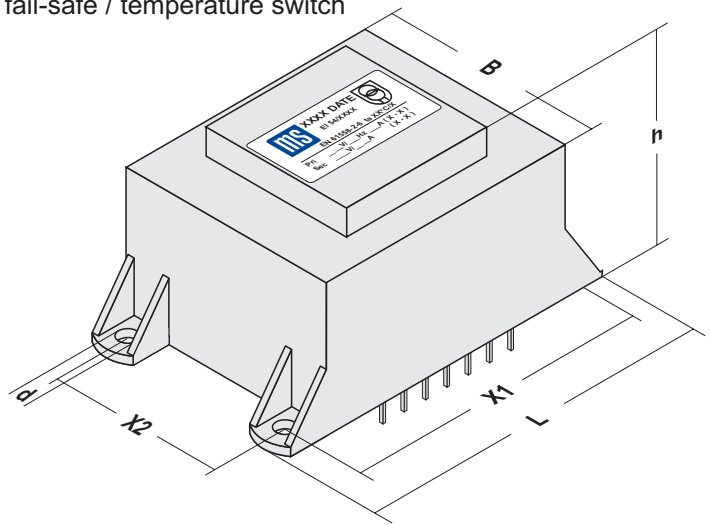


power table pcb transformers potted EI housing style "KK"

- * safety transformer satisfying EN 60742 (VDE 0551) / EN 61558-2-6 ($U_0 < 50 \text{ V}$)
- * construction in vacuum potted double chamber style
- * complete construction with UL-approved material
- * $U_0 > 50 \text{ V}$: insulating transformer satisfying EN 61558-2-4
- * maximum one or two windings primary respectively until six windings secondary
- * advantageous price / quality ratio
- * automated production yields highest reliability
- * special version on demand
- * optional: temperature fuse / PTC / fail-safe / temperature switch




(approvals in preparation)

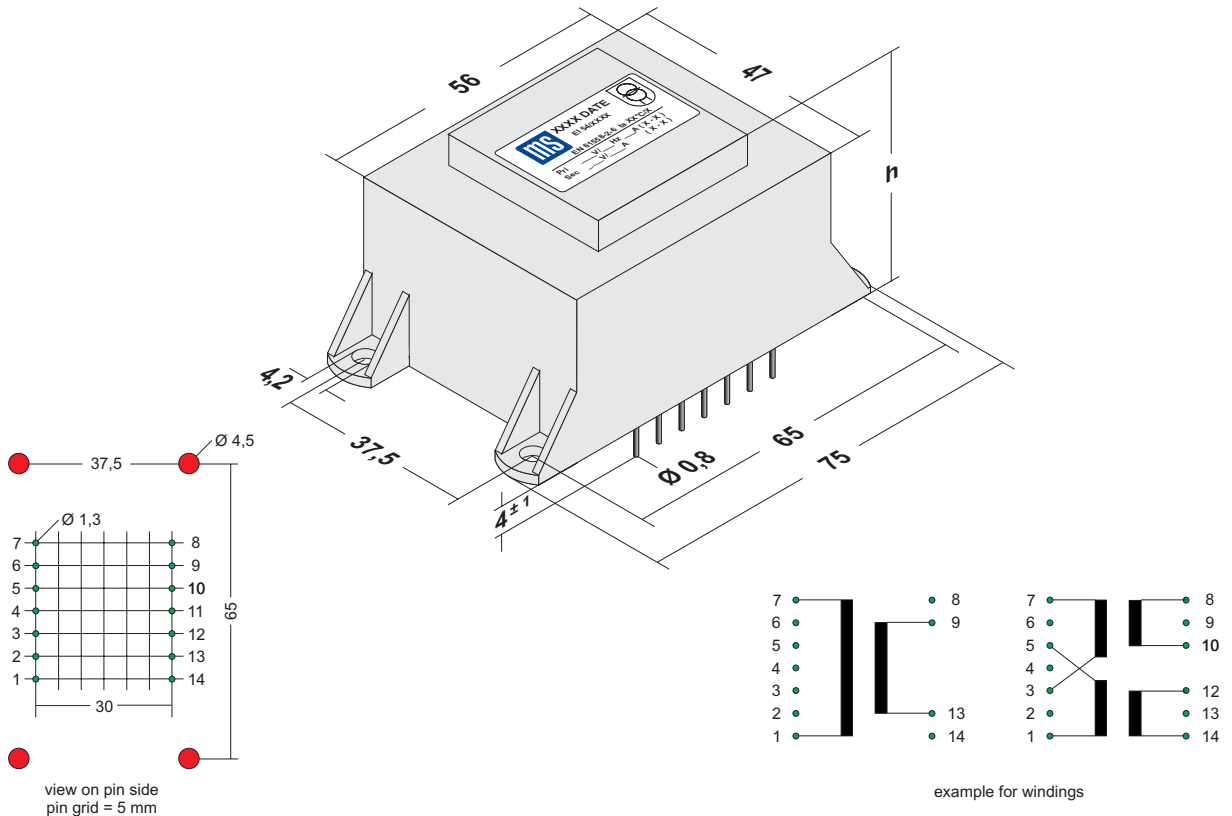


type	pins	dimensions [mm]						power [VA]			
		length		width	height	hole		ta 40°C/B		ta 70°C/B	
		L	B	B	h	Ø	distance	compact	economy	compact	economy
EI 54/18,8	2 x 7	76	48	39	4,2	65	37,5	19	16	15	12
EI 54/23	2 x 7	76	48	43,5	4,2	65	37,5	25	21	20	15
EI 60/21	2 x 7	82	54	47	4,2	72,5	43,5	26	21	20	16
EI 60/25	2 x 7	82	54	52	4,2	72,5	43,5	32	26	24	20
EI 60/30	2 x 7	82	54	56	4,2	72,5	43,5	40	32	30	25
EI 66/23	2 x 8	88	59	49	4,2	77,5	47,5	42	35	31	26
EI 66/30	2 x 8	88	59	56	4,2	77,5	47,5	52	45	39	33
EI 66/35	2 x 8	88	59	60	4,2	77,5	47,5	57	50	43	37
EI 78/27,5	2 x 9	100	69	60	4,2	90	57,5	77	65	57	48
EI 78/36,5	2 x 9	100	69	69	4,2	90	57,5	94	80	70	60
EI 78/40,5	2 x 9	100	69	72	4,2	90	57,5	105	90	78	67
EI 84/29,5	2 x 10	108	75	63	4,2	97,5	60	90	78	67	58
EI 84/43,5	2 x 10	108	75	77	4,2	97,5	60	125	110	90	82
EI 96/35,7	2 x 12	130	85	75	6,2	115	70	170	140	125	105
EI 96/45,7	2 x 12	130	85	85	6,2	115	70	210	180	155	135
EI 96/59,7	2 x 12	130	85	99	6,2	115	70	265	220	200	170

type EI 54 potted

12 ... 25 VA


 (approvals in preparation)




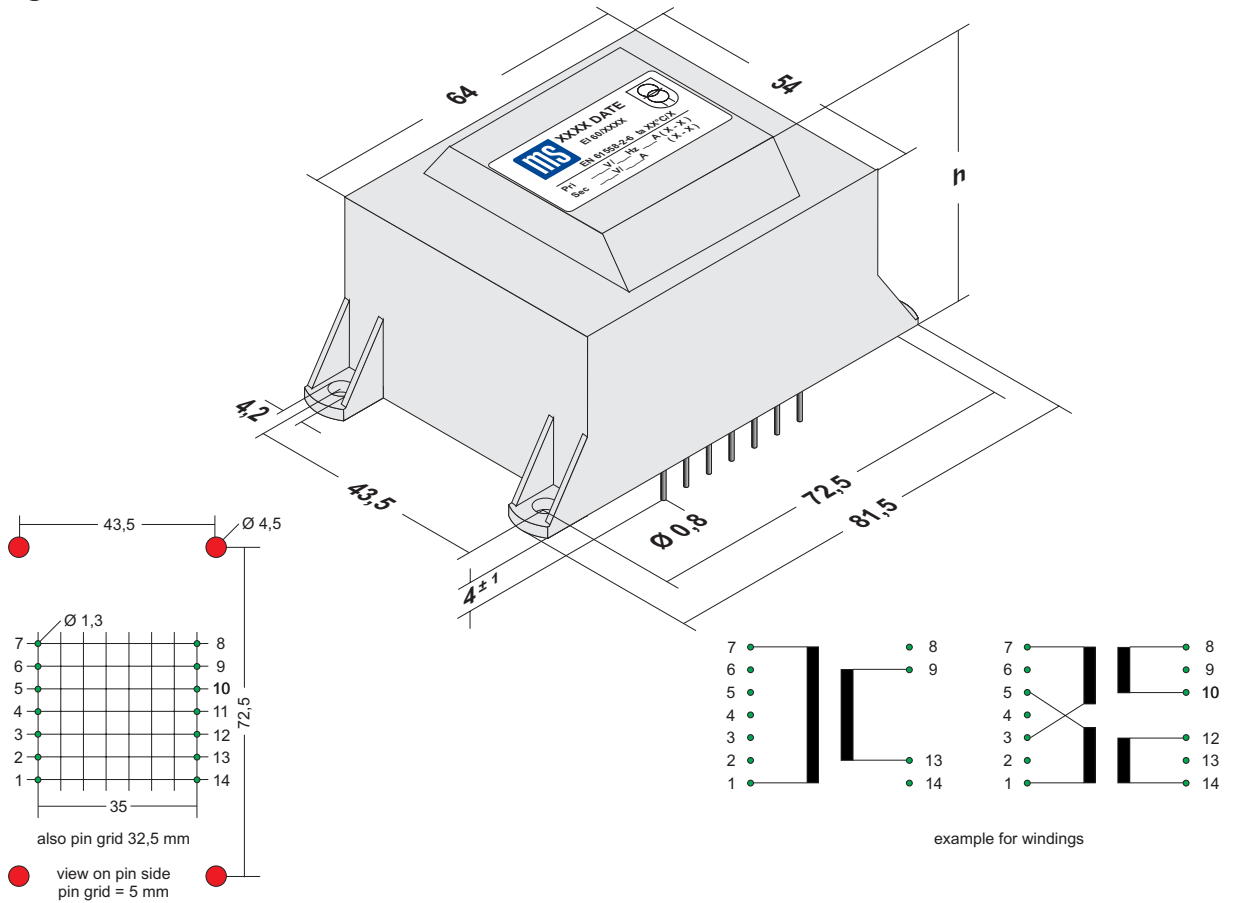
EI 54	type size [mm]	height h [mm]	power [VA]			
			ta 40°C/B		ta 70°C/B	
			compact	economy	compact	economy
	EI 54/18,8	39	19	16	15	12
	EI 54/23	43,5	25	21	20	15

- * safety transformer satisfying EN 60742 (VDE 0551) / EN 61558-2-6 (U_o < 50 V)
- * construction in vacuum potted double chamber style
- * complete construction with UL-approved material
- * U_o > 50 V: insulating transformer satisfying EN 61558-2-4
- * advantageous price / quality ratio
- * automated production yields highest reliability
- * maximum one or two windings primary respectively three windings secondary
- * optional: temperature switch / temperature fuse / PTC / fail-safe

type EI 60 potted

16 ... 40 VA


 (approvals in preparation)




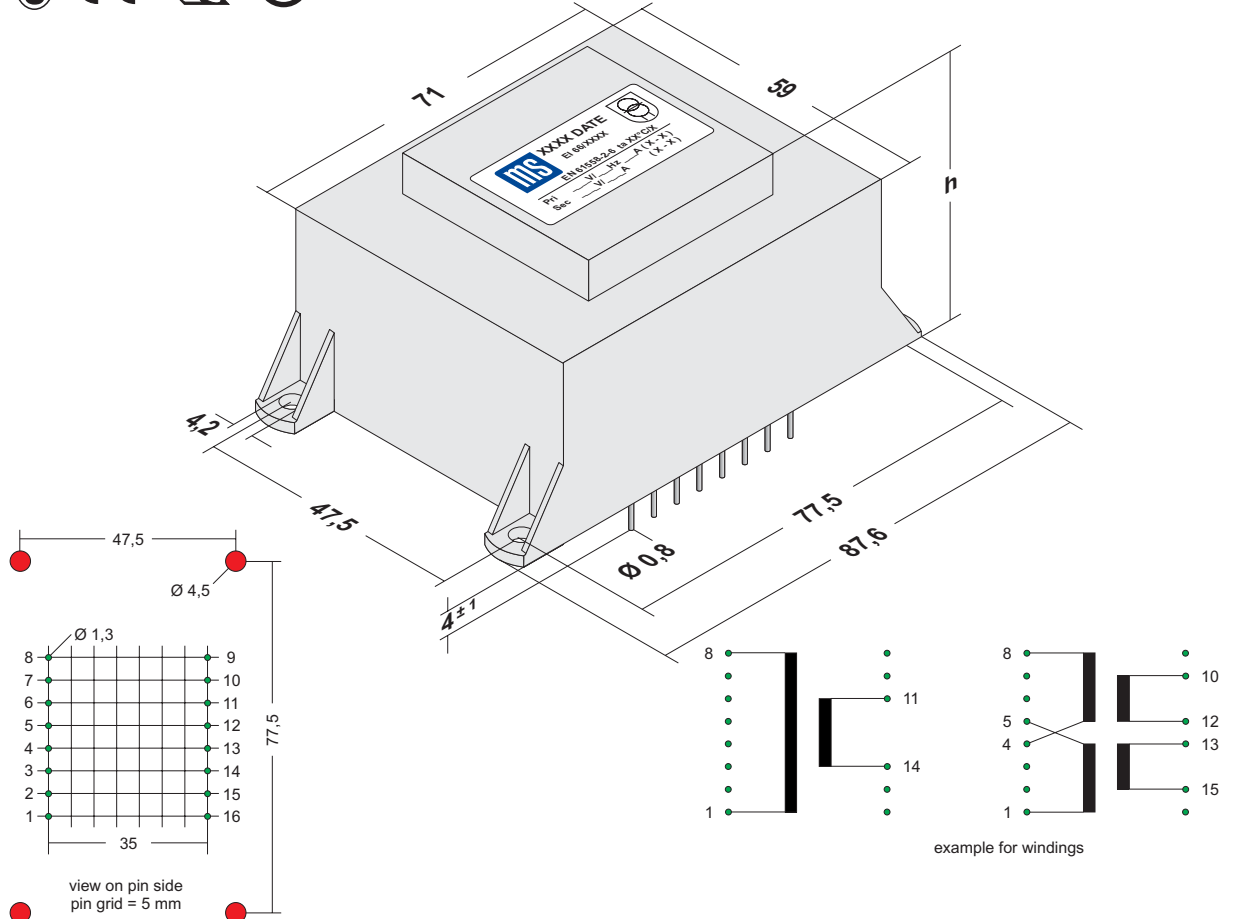
EI 60	Stromstärke [mm]	Baueinheit h [mm]	Leistung [VA]			
			ta 40°C/B		ta 70°C/B	
			kompakt	ökonomisch	kompakt	ökonomisch
	EI 60/21	47	26	21	20	16
	EI 60/25	51	32	26	24	20
	EI 60/30	56	40	32	30	25

- * safety transformer satisfying EN 60742 (VDE 0551) / EN 61558-2-6 (U_o < 50 V)
- * construction in vacuum potted double chamber style
- * complete construction with UL-approved material
- * U_o > 50 V: insulating transformer satisfying EN 61558-2-4
- * advantageous price / quality ratio
- * automated production yields highest reliability
- * maximum one or two windings primary respectively three windings secondary
- * optional: temperature switch / temperature fuse / PTC / fail-safe

type EI 66 potted

26 ... 57 VA


 (approvals in preparation)



EI 66	type size [mm]	height h [mm]	power [VA]			
			ta 40°C/B		ta 70°C/B	
			compact	economy	compact	economy
	EI 66/23	48,5	42	35	31	26
	EI 66/30	56	52	45	39	33
	EI 66/35	60	57	50	43	37

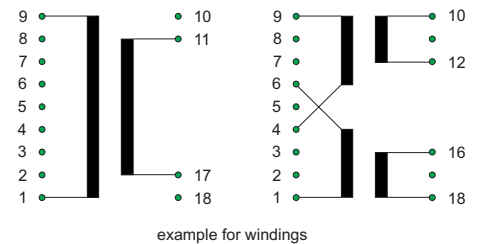
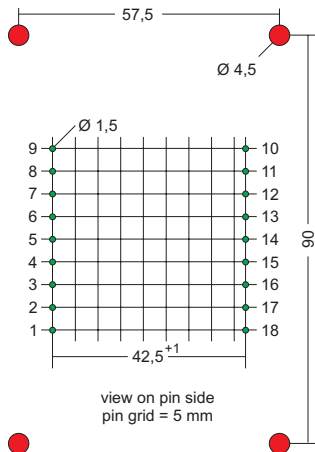
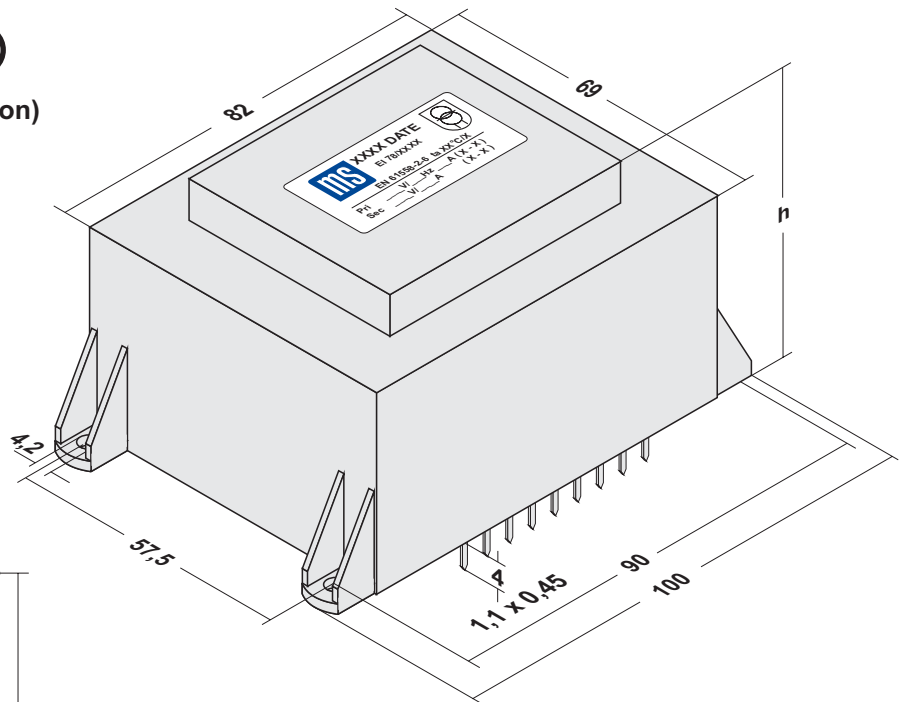
- * safety transformer satisfying EN 60742 (VDE 0551) / EN 61558-2-6 (U_o < 50 V)
- * construction in vacuum potted double chamber style
- * complete construction with UL-approved material
- * U_o > 50 V: insulating transformer satisfying EN 61558-2-4
- * advantageous price / quality ratio
- * automated production yields highest reliability
- * maximum one or two windings primary respectively four windings secondary
- * optional: temperature switch / temperature fuse / PTC / fail-safe

type EI 78 potted

48 ... 105 VA



(approvals in preparation)



EI 78	type size [mm]	height h [mm]	power [VA]			
			ta 40°C/B		ta 70°C/B	
			compact	economy	compact	economy
	EI 78/27,5	60	77	65	57	48
	EI 78/36,5	69	94	80	70	60
	EI 78/40,5	72	105	90	78	67

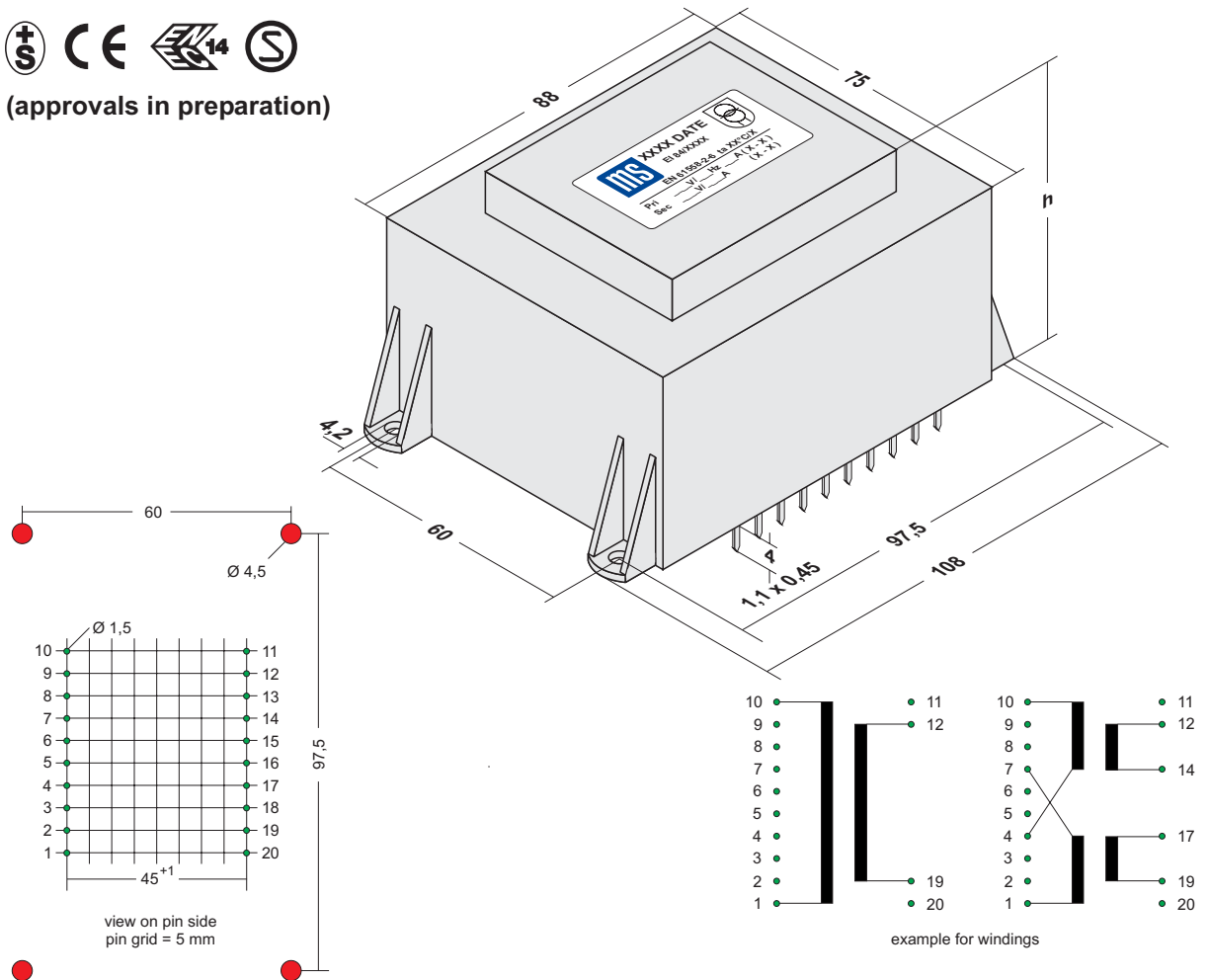
- * safety transformer satisfying EN 60742 (VDE 0551) / EN 61558-2-6 (U_o < 50 V)
- * construction in vacuum potted double chamber style
- * complete construction with UL-approved material
- * U_o > 50 V: insulating transformer satisfying EN 61558-2-4
- * advantageous price / quality ratio
- * automated production yields highest reliability
- * maximum one or two windings primary respectively four windings secondary
- * optional: temperature switch / temperature fuse / PTC / fail-safe
- * optional: housing style "0" or magnetical axis vertical

type EI 84 potted

58 ... 125 VA



(approvals in preparation)



EI 84	type size [mm]	height h [mm]	power [VA]			
			ta 40°C/B		ta 70°C/B	
			compact	economy	compact	economy
	EI 84/29,5	63	90	78	67	58
	EI 84/43,5	77	125	110	90	82

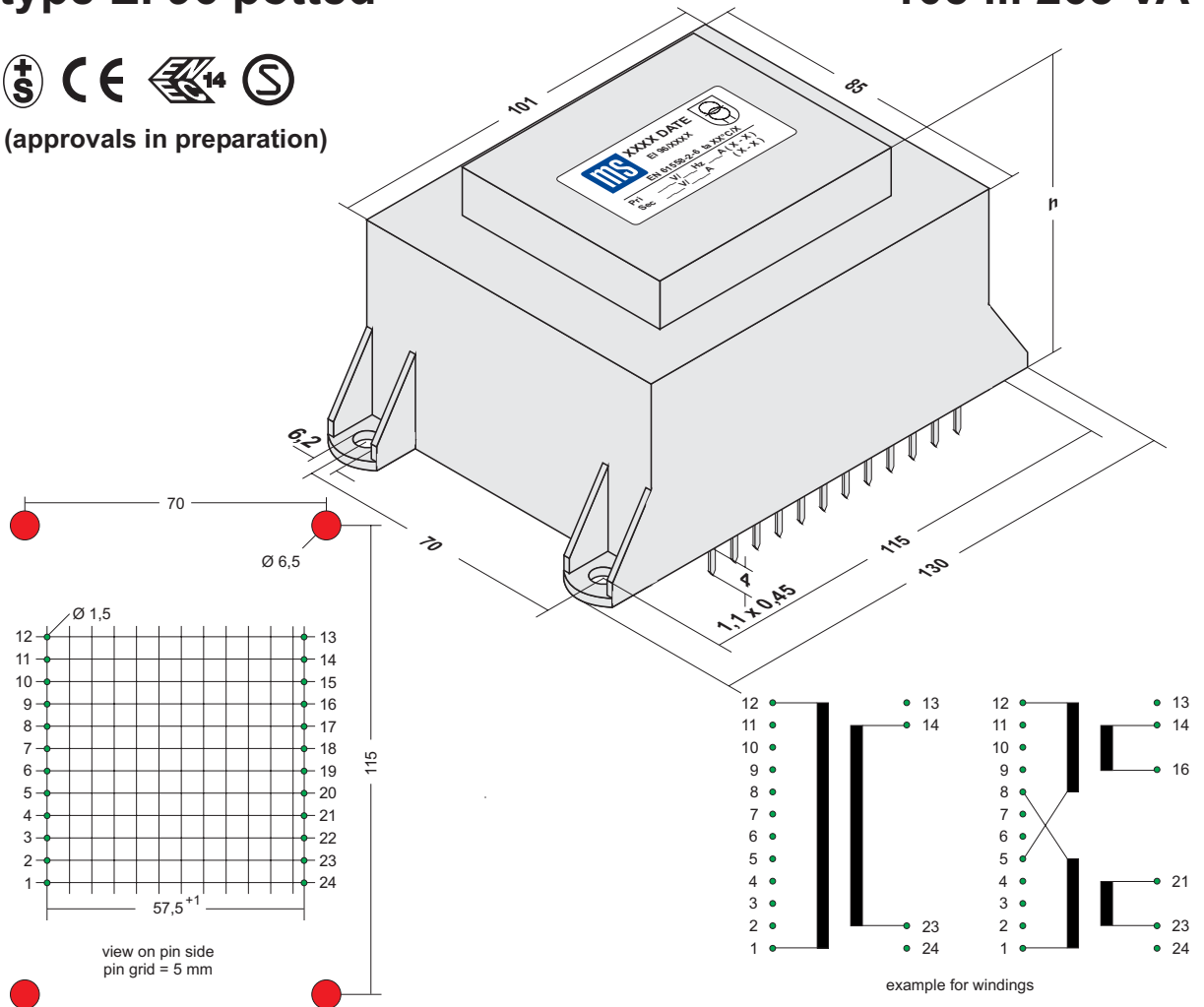
- * safety transformer satisfying EN 60742 (VDE 0551) / EN 61558-2-6 (U_o < 50 V)
- * construction in vacuum potted double chamber style
- * complete construction with UL-approved material
- * U_o > 50 V: insulating transformer satisfying EN 61558-2-4
- * advantageous price / quality ratio
- * automated production yields highest reliability
- * maximum one or two windings primary respectively five windings secondary
- * optional: temperature switch / temperature fuse / PTC / fail-safe
- * optional: housing style "0" or magnetical axis vertical

type EI 96 potted

105 ... 265 VA



(approvals in preparation)



EI 96	type size [mm]	height h [mm]	power [VA]			
			ta 40°C/B		ta 70°C/B	
			compact	economy	compact	economy
	EI 96/35,7	75	170	140	125	105
	EI 96/45,7	85	210	180	155	135
	EI 96/59,7	99	265	220	200	170

- * safety transformer satisfying EN 60742 (VDE 0551) / EN 61558-2-6 (U_o < 50 V)
- * construction in vacuum potted double chamber style
- * complete construction with UL-approved material
- * U_o > 50 V: insulating transformer satisfying EN 61558-2-4
- * advantageous price / quality ratio
- * automated production yields highest reliability
- * maximum one or two windings primary respectively six windings secondary
- * optional: temperature switch / temperature fuse / PTC / fail-safe
- * optional: housing style magnetical axis vertical