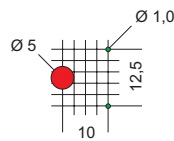
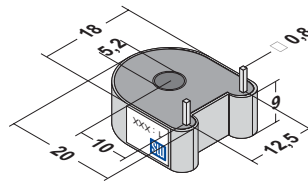
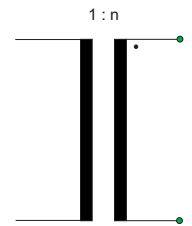


bushing current-transformer MR15/5



view on pin side
pin grid= 2,5 mm



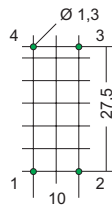
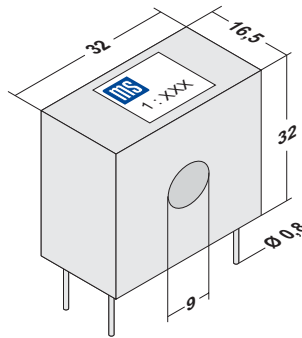
winding schematic

order-nr	input	turns-ratio	I max	rated inductance
MS4431	n = 1	1 : 200	40 A	ca. 100 mH
MS4431-1	n = 1	1 : 100	40 A	ca. 25 mH
MS4431-2	n = 1	1 : 50	40 A	ca. 6 mH

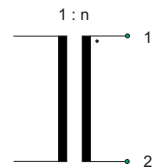
technical datas:

rated current primary:	40 A
rated frequency:	until 100 kHz
rated impedance:	100 - 200 Ohm
turn-on-time:	100%
temperature-class:	E (120°C)
test-voltage	5 kV
construction:	potted

bushing current-transformer, 50 Hz



view on pin side
pin grid = 5 mm



schematic

	order-nr	input	turns-ratio	I max	I sec
	MS4270	n = 1	1 : 3000	30 A	10 mA
	MS4270-1	n = 1	1 : 1500	30 A	20 mA
	MS4270-2	n = 1	1 : 750	30 A	40 mA

technical datas:

rated current secondary:	10 mA
rated power	100 mVA
rated frequency:	50 / 60 Hz
rated impedance	1 kOhm
turn-on-time:	100%
temperatue-class:	B (130°C)
test-voltage	5 kV
construction:	potted