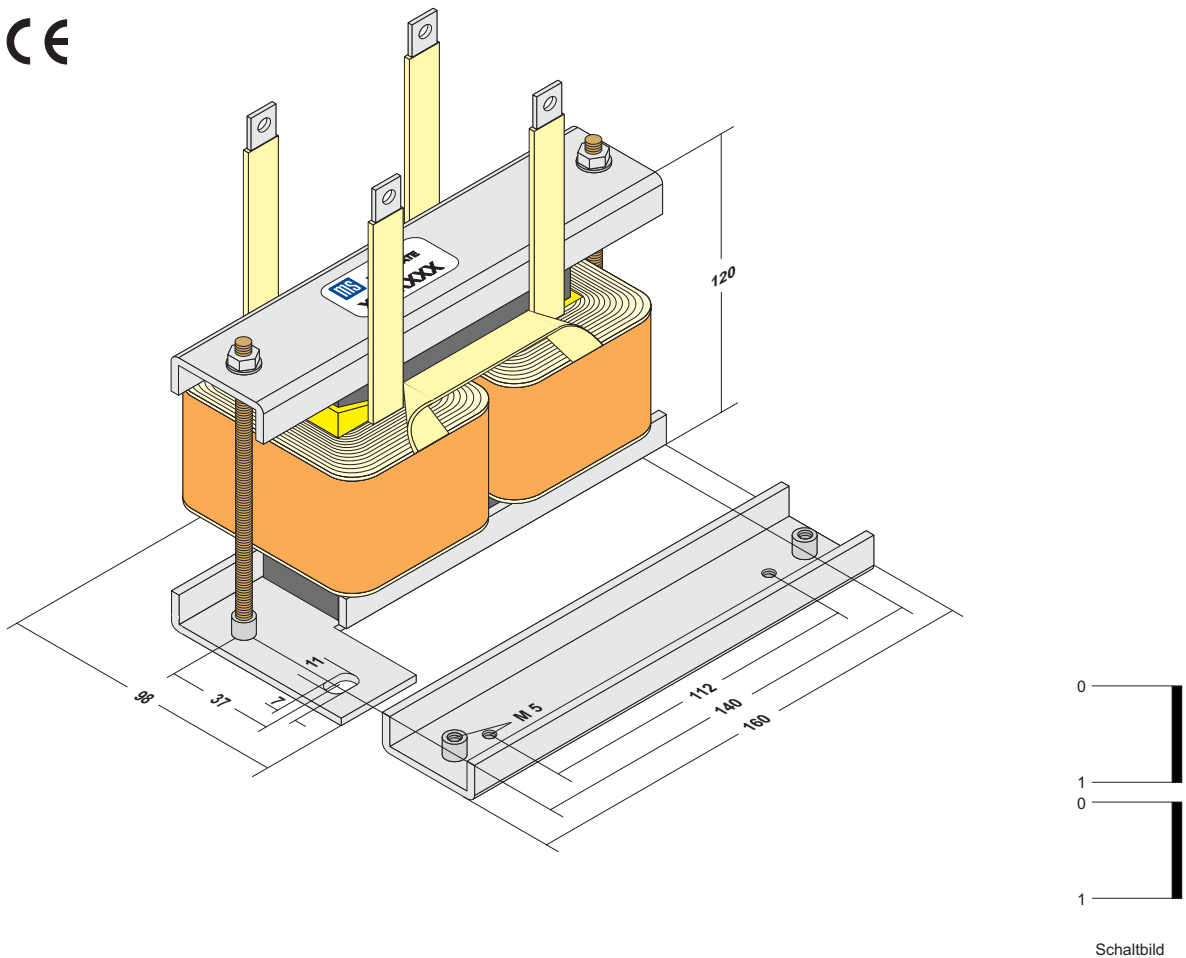


type UI 93

8 ... 30 kVA



UI 93	maximum power as flyback-, forward- or push-pull working type guide number on practical experience and computer based model calculations power table is for $t_a$ 40°C / B, impregnated with N 27 (standard)		
	frequency	forward	push-pull
	25 kHz	8 kVA	16 kVA
	50 kHz	15 kVA	22 kVA
100 kHz	22 kVA	30 kVA	

- \* application as DC/DC-transducer, open or impregnated
- \* application also as storage choke
- \* custom-built development for switching frequencies from 20 kHz - 100 kHz on your application, also for multiple output voltages
- \* construction for safety electrical disconnection satisfying EN 61558-2-17 (VDE 0570 part 2-17) respectively EN 60950 respectively EN 60065 or IEC 601
- \* possible winding technique: copper foil winding