

## Model Number: SNP6 - Slimline 6 Watt Constant Current LED Driver Range

### Product Image



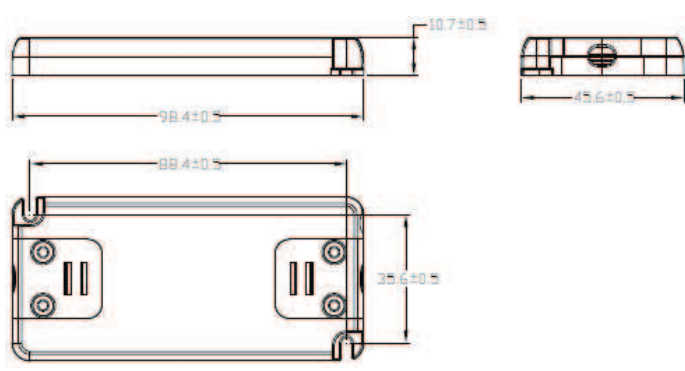
### Technical Data

**Input**  
 Input Voltage ..... 200-240Vac  
 Input Voltage Range ..... 180-264Vac  
 Frequency ..... 50 Hz  
 Mains Input Style ..... Terminal block

**Output**  
 Output Power ..... 6 Watts  
 Protections ..... Open Circuit; Short Circuit; Over Load; Over Heat

Model	Constant Current	Load	Max. Voltage	Power Factor
SNP6-350IF	350mA	0~6W	17.5Vdc	>0.5
SNP6-700IF	700mA	0~6W	9Vdc	>0.5

### Mechanical Drawings (mm)



**Other**  
 Max Ambient Temp (Ta) ..... 45°C ( Case Temp (Tc) 80°C)  
 Dimensions ..... 98x45x10.7 (LxWxH in mm)  
 Body Construction ..... PC (Polycarbonate)

**Safety**  
 Safety According to EN61347-1, EN61347-2-13  
 EMI According to EN55015  
 EMS According to EN61000-3-2; EN61000-3-3; EN61547  
 Approval Body Mark: CE ROHS; TUV

### Disclaimer

Stontronics Ltd accepts no responsibility for typographical errors in the production of this leaflet. Product specifications are subject to change without notice.

For more information please contact us:  
**Stontronics Ltd**,  
 Chancerygate Business Centre, Cradock Road, Reading, Berkshire, RG2 0AH  
 Tel: 0118 931 1199  
 Fax: 0118 931 1145  
 Email: info@stontronics.co.uk • www.stontronics.co.uk