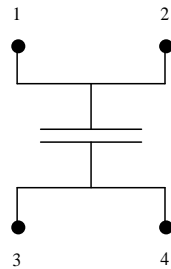
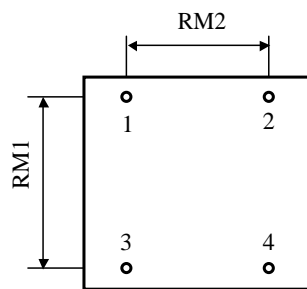


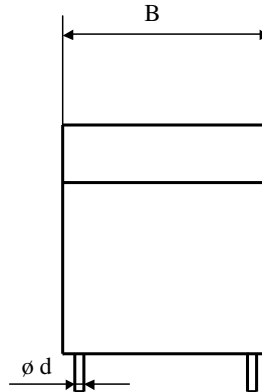
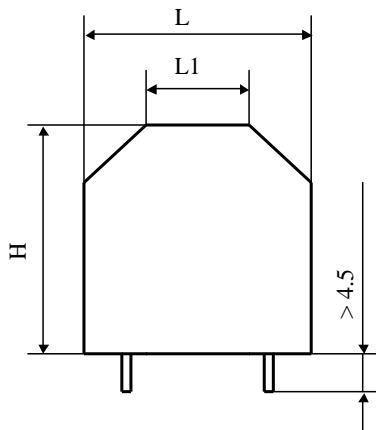
#5943

METALLIZED POLYPROPYLENE CAPACITORS

PPMJC-4 90-15.0 g K



Printed circuit board mounting



Self-extinguishing plastic housing

Epoxy resin sealing

Parameter	Symbol	Value	Unit	Condition
Capacitance	C	15	$\mu\text{F}$	1 V / 1 kHz
Tolerance		$\pm 10$	%	
Rated voltage	Un DC	900	VDC	
Rated voltage	Un AC	165	Veff	50 Hz to 400 Hz
RMS current	I RMS max.	21	Aeff	10 kHz to 50 kHz
slope of voltage variation	du/dt max.	64	V/ $\mu\text{sec}$	max. repetitive
Repetitive surge current	I cr. max	960	A	
Tangent delta	tg $\delta$	$\leq 7$	$10^{-4}$	1 kHz
Equivalent serie resistance	ESR	$\leq 3.93$	m $\Omega$	1 V / 10 kHz
Stray inductance	ESL	$\leq 15$	nH	
Insulation resistance	Ri x C	$> 20'000$	s	100 VDC - 1 min
Test voltage between terminals	U T1	1350	VDC	10 s
Climatic category		40/105/56		
Estimated operational life (-3%)		$> 100'000$	h	Un DC / 70°C

Dimension	Symbol	Value	Unit	Conditions
Width	B	36	mm	
Length	L	40	mm	
	L1	18	mm	
Height	H	40	mm	
Terminals tinned wire	$\phi$ d	1.2	mm	
RM1		30	mm	
RM2		25	mm	

M1

M0

Modification

Date

Visa émetteur

Condensateurs

CH 1400 Yverdon, Switzerland

Kondensatoren

Tel.: ++41 24 445 66 88

Capacitors

Fax: ++41 24 445 66 89

**Leclanché**  
Capacitors  
A FISCHER & TULSICH COMPANY

HJJ

www.Lcap.ch  
09.06.2010capinfo@Lcap.ch  
faisab5943.XLS