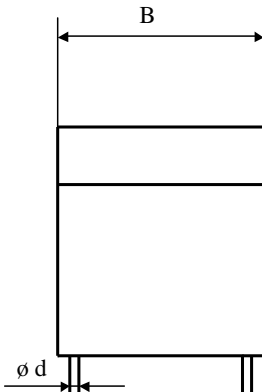
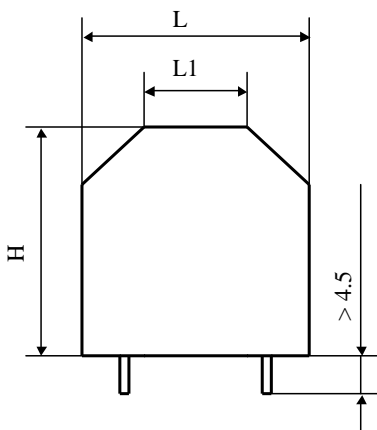
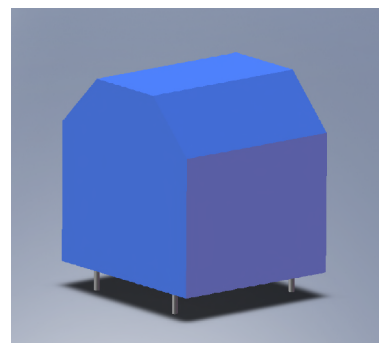
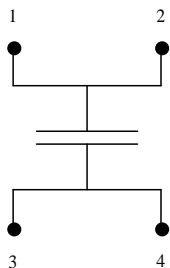
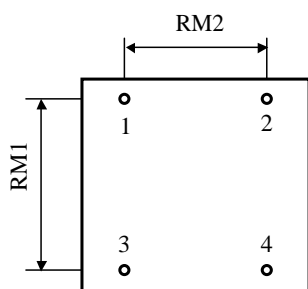


#6027

METALLIZED POLYPROPYLENE CAPACITORS

PPMJC-4 80-25.0 g K



Printed circuit board mounting

Self-extinguishing plastic housing

Epoxy resin sealing

Parameter	Symbol		Value	Unit	Condition
Capacitance	C		25	μF	1 V / 1 kHz
Tolerance			± 10	%	
Rated voltage	Un DC		800	VDC	
RMS current	I RMS max.		22	Aeff	10 kHz to 50 kHz
Slope of voltage variation	du/dt max.		45	V/μsec	max. repetitive
Repetitive surge current	I cr. max		1125	A	
Tangent delta	tgδ		≤ 8	1C <sup>4</sup>	1 kHz
Equivalent serie resistance	ESR		≤ 4.0	mΩ	1 V / 10 kHz
Stray inductance	ESL		≤ 15	nH	
Insulation resistance	Ri x C		> 20'000	s	100 VDC - 1 min
Test voltage between terminals	U T1		1200	VDC	10 s
Climatic category			40/105/56		
Estimated operational life (-3%)			> 100'000	h	Un DC / 70°C
Dimension	Symbol			Unit	Conditions
Width	B		36	mm	
Length	L		40	mm	
	L1		18	mm	
Height	H		40	mm	
Terminals tinned wire	ø d		1.2	mm	
RM1			30 ± 0.5	mm	
RM2			25 ± 0.5	mm	
	M1				
	M0				
	Modification	Date	Visa émetteur		

Condensateurs CH 1400 Yverdon, Switzerland  
 Kondensatoren Tel.: ++41 24 445 66 88  
 Capacitors Fax: ++41 24 445 66 89

**Leclanché**  
**Capacitors**  
A FISCHER & TAUSSCHER COMPANY

HJJ

www.Lcap.ch  
 20.07.2011

capinfo@Lcap.ch  
 faisab6027.XLS