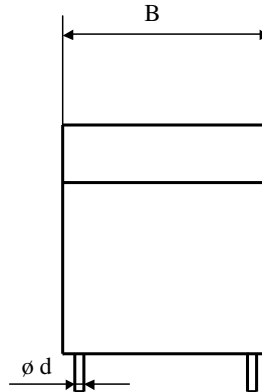
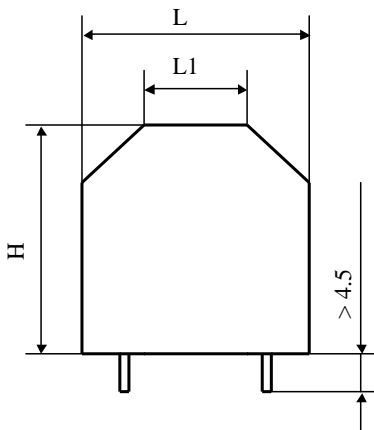
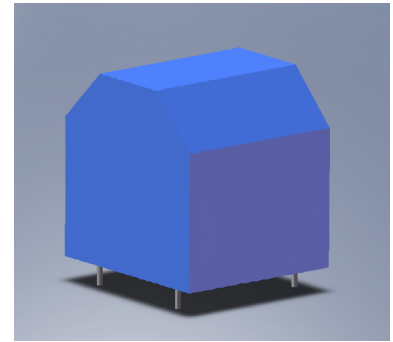
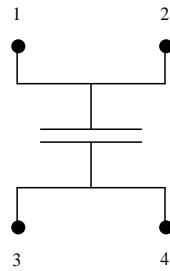
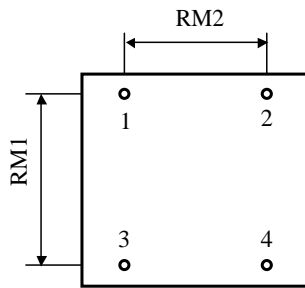


#6026

METALLIZED POLYPROPYLENE CAPACITORS

PPMJC-4 50-8.0 g K



Printed circuit board mounting

Self-extinguishing plastic housing

Epoxy resin sealing

| Parameter                        | Symbol     | Value     | Unit             | Condition        |
|----------------------------------|------------|-----------|------------------|------------------|
| Capacitance                      | C          | 8         | μF               | 1 V / 1 kHz      |
| Tolerance                        |            | ± 10      | %                |                  |
| Rated voltage                    | Un DC      | 500       | VDC              |                  |
| Rated voltage                    | Un AC      | 230       | V RMS            | 50 Hz to 400 Hz  |
| RMS current                      | I RMS      | 19        | A <sub>eff</sub> | 10 kHz to 25 kHz |
| Slope of voltage variation       | du/dt max. | 60        | V/μsec           | max. repetitive  |
| Repetitive surge current         | I cr. max  | 480       | A                |                  |
| Tangent delta                    | tgδ        | ≤ 4       | 10 <sup>-4</sup> | 1 kHz            |
| Equivalent serie resistance      | ESR        | ≤ 4.2     | mΩ               | 1 V / 10 kHz     |
| Stray inductance                 | ESL        | ≤ 15      | nH               |                  |
| Insulation resistance            | Ri x C     | > 20'000  | s                | 100 VDC - 1 min  |
| Test voltage between terminals   | U T1       | 800       | VDC              | 10 s             |
| Climatic category                |            | 40/105/56 |                  |                  |
| Estimated operational life (-3%) |            | > 100'000 | h                | Un DC / 70°C     |

| Dimension             | Symbol | Value    | Unit | Conditions |
|-----------------------|--------|----------|------|------------|
| Width                 | B      | 36       | mm   |            |
| Length                | L      | 40       | mm   |            |
|                       | L1     | 18       | mm   |            |
| Height                | H      | 40       | mm   |            |
| Terminals tinned wire | ø d    | 1.2      | mm   |            |
| RM1                   |        | 30 ± 0.5 | mm   |            |
| RM2                   |        | 25 ± 0.5 | mm   |            |

|              |      |               |  |
|--------------|------|---------------|--|
| M1           |      |               |  |
| M0           |      |               |  |
| Modification | Date | Visa émetteur |  |

Condensateurs CH 1400 Yverdon, Switzerland  
 Kondensatoren Tel.: ++41 24 445 66 88  
 Capacitors Fax: ++41 24 445 66 89

**Leclanché**  
**Capacitors**  
A FISCHER & TULSICHSE COMPANY

HJJ

www.Lcap.ch  
 13.07.2011

capinfo@Lcap.ch  
 faisab6026.XLS